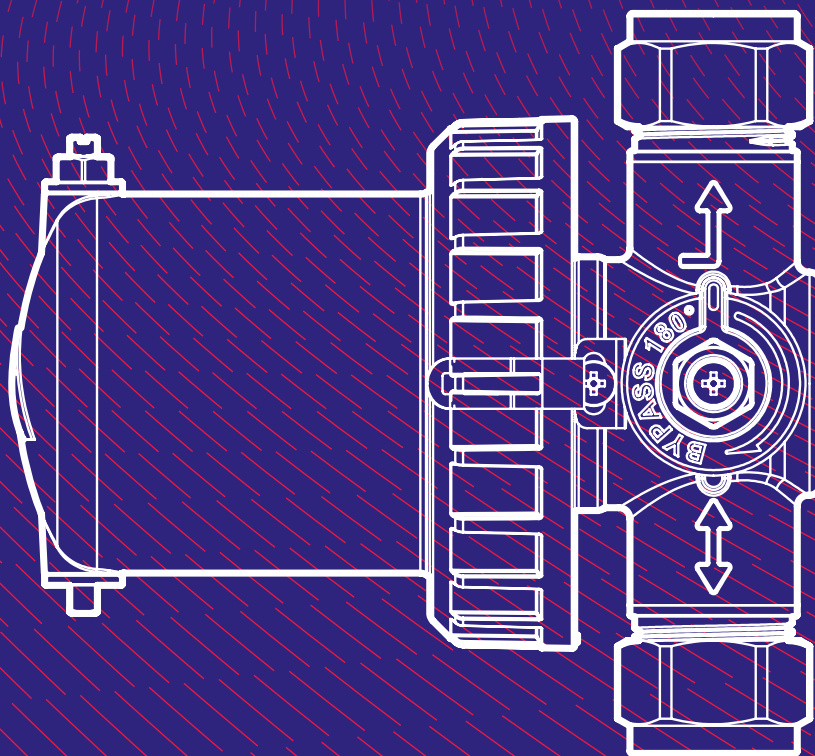


ADEY[®]

MagnaClean Atom[™]

Small space.

Big idea.



MagnaClean™ Atom



Quick Fit



2
YEAR
Warranty



The new *MagnaClean Atom*™ the super compact, space saving filter. Developed with installers for even the tightest of installations.

MagnaClean Atom protects the central heating system against the damaging effects of black iron oxide sludge. The super compact design provides an opportunity to fit a filter into previously inaccessible spaces

Homeowner benefits

- 6% annual saving on heating bills*
- Immediate ongoing system protection
- Extended system life
- Reduced carbon emissions

Installer benefits

- Only 115mm pipe cutout length needed to install so can fit into even the tightest of spaces
- Fits vertical and horizontal pipework for additional flexibility
- Filter can be switched to bypass so no need to turn off the heating system when servicing
- Supplied fully assembled and ready for installation saving time on-site
- Slip socket design to allow easy installation
- Quick and easy chemical dosing using ADEY Rapide®

Fit a filter every time

MagnaClean Atom should be fitted in-line on the return pipe. Alternative siting's can be located when the return pipe is not available.

ADEY always recommends that a magnetic filter be installed on both new and existing systems to extend the operational life of the boiler as well as reduce maintenance call-outs and heating bills.

ADEY Best Practice essentials:

MC1+ Rapide™ Central Heating System PROTECTOR

MC3+ Rapide™ Central Heating System CLEANER



Clean



MagnaCleanse



MagnaClean



Protect

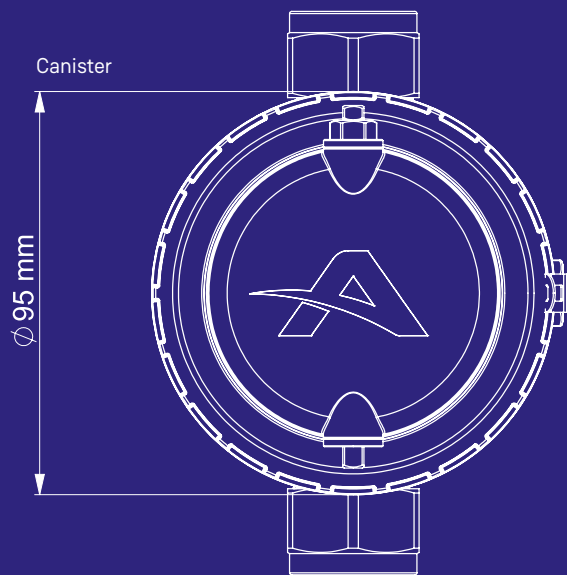
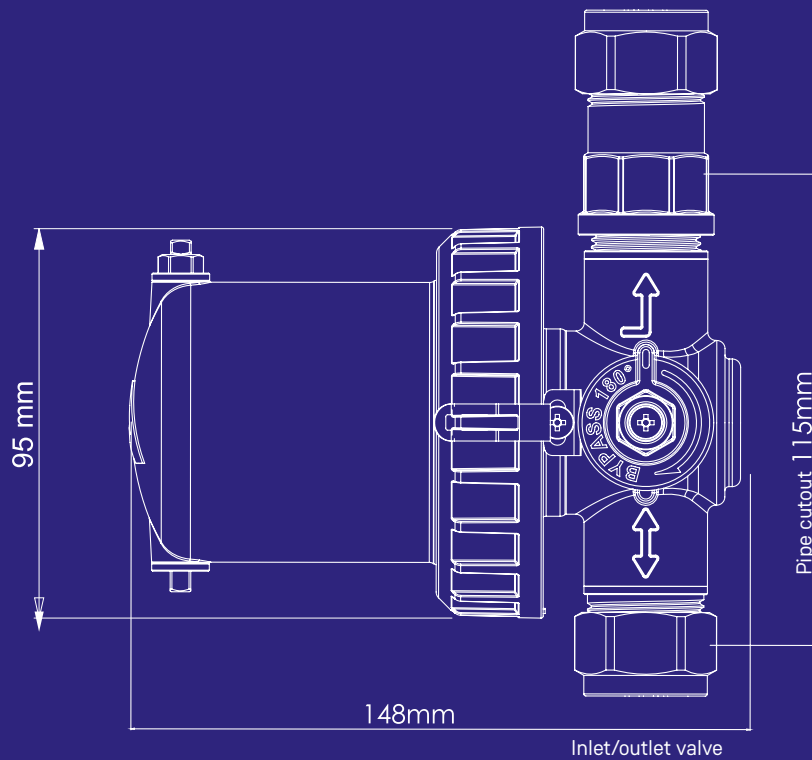


Test



Maintain

Technical specifications



Canister

Material: Glass reinforced polymer
Fluid capacity: 230 ml
Inlet diameter: 22mm compression
Outlet diameter: 22mm compression
Thread: Pressure thread
Flow configuration: Uni-directional
Main lid seal: EPDM
Valve to canister: EPDM

Magnet

Length: 82.5 mm
Diameter: 20 mm

Bleed valve and drain port

Material: Brass
Thread interface: M8 (non-standard)
Seals: EPDM

Bleed Nipple

Material: Brass
Thread interface: M6

Servicing Clearance

Air vent (top): 20 mm
Drain Plug (bottom): 30 mm

Packaging and handling:

Packaged in single units with all components included

Storage:

No special storage requirements necessary

Internal water operating temperature:
3°C to 95°C

Internal operating water pressure:
up to 4.5 bar

Maximum flow rate: 50 L/min

Full installation instructions are supplied with each filter and are also available to download from adey.com



After Sales Support
Replacement Parts
ADEY ProClub™

Call: +44 (0) 1242 546717

adey.com