



You can rely on **POTTERTON**

# Potterton Range Guide

# POTTERTON

# Introduction

## You can rely on Potterton

With Potterton, you can be sure that you're offering your customers the ultimate in reliability, energy efficiency and service.

For more than 150 years, we've stood for high quality and unrivalled experience in the design and manufacture of boilers – with more than 7 million Potterton boilers built over the years.

All Potterton ranges use the very latest, proven technology and represent the most energy-efficient, environmentally friendly and easy-to-use home heating solutions on the market.

With continued investment into research, design and world class manufacturing, Potterton stays ahead of the field year after year.

It's not just about the quality of our boilers though. We also pride ourselves on second-to-none service and after-sales support that provides genuine peace of mind.

For reliability and high-quality service...you can rely on Potterton.

# POTTERTON

You can rely on **POTTERTON**

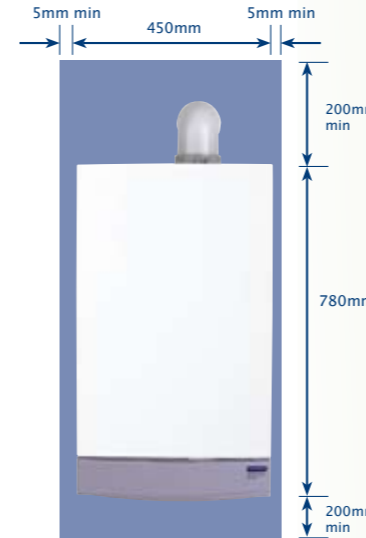
# Contents

<b>Promax Combi HE Plus A</b> A high-efficiency combi boiler with fully modulating outputs from 6.8kW to 33kW.	Page 4
<b>Performa Combi HE</b> The Performa Combi HE delivers high performance and flexible siting options, with modulating outputs to maximise economy.	Page 6
<b>Promax System HE Plus A</b> SEDBUK Band A boiler range with outputs from 12kW to 32kW.	Page 8
<b>Promax SL</b> Deceptively small, the slimline Potterton Promax SL is a powerful, high-efficiency boiler available in five outputs.	Page 10
<b>Suprima HE</b> An unsurpassed range of outputs and a host of installer-friendly features make the Potterton Suprima an ideal choice for domestic installations.	Page 12
<b>Promax HE Store</b> The Promax HE Store is an integrated hot water storage and central heating boiler.	Page 14
<b>Promax FSB 30 HE</b> A floor-standing boiler designed to fit easily and quickly under a standard worktop, with a range of fluing options.	Page 16
<b>Potterton Solar</b> Easy-to-fit on-roof and in-roof solutions enable you to use solar energy for hot water without compromising on energy efficiency or reliability.	Page 18
<b>Multifit</b> A series of illustrations providing a guide for each of the flue systems required for Potterton HE products.	Page 20
<b>Service &amp; Training</b> Potterton offers a comprehensive aftersales service, expert technical advice and a range of training courses.	Page 27

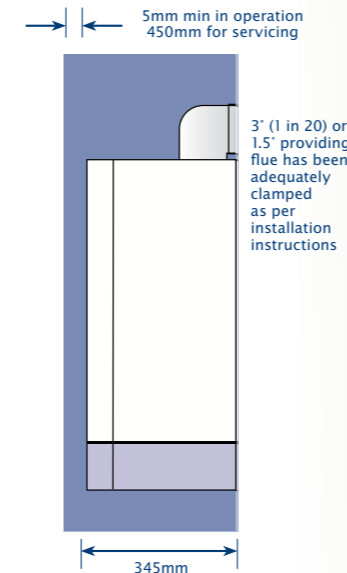
# Promax Combi HE Plus A



# Technical Information - 24/24 LPG, 28 & 33 HE Plus A



NB. Flue is offset to the right.



Promax Combi HE Plus A	Units	24kW	24kW LPG	28kW	33kW
Sales Code (Boiler only)		5118155	5131547	5113836	5113835
Sales Code (Std Flue)		5118489	5118489	5118489	5118489
Sales Code (Boiler with flue)		5121156	5131555	5113839	5113838
<b>Controls</b>					
Concealed User Controls		Yes	Yes	Yes	Yes
Operating mode selector switch with reset		Yes	Yes	Yes	Yes
User adjustable DHW temperature		Yes	Yes	Yes	Yes
User adjustable CH temperature		Yes	Yes	Yes	Yes
LCD Operating Status Display		Yes	Yes	Yes	Yes
LED Operating Status Display		Yes	Yes	Yes	Yes
Integral 24hr Electro-Mechanical Timer		Optional	Optional	Optional	Optional
Integral 7 day Electronic Timer		Optional	Optional	Optional	Optional
Single Channel Wireless Programmable Room Thermostat		Optional	Optional	Optional	Optional
<b>Gas</b>					
Gas (Natural Gas/LPG)		NG	LPG	NG	NG
Inlet Supply Pressure	mbar	20	37	20	20
Maximum Gas Rate	m <sup>3</sup> /hr	2.61	1.92	3.06	3.6
Central Heating Input (max)	kW	22.7	22.7	27.4	32.1
Central Heating Output - Condensing (max)	kW	21	21	25.9	30.3
Central Heating Output - Non Condensing (max)	kW	20	20	24	28
Domestic Hot Water Input (max)	kW	27.4	27.4	32.1	37.7
Seasonal Efficiency	%	91.1	91.1	91.1	91.1
SEDBUK Rating	Band	A	A	A	A
NOx Class		5	5	5	5
NOx Levels	mg/kWhr	22.3	22.3	26	21.8
EcoHomes	Credits	3	3	3	3
<b>Electrical</b>					
Electrical Supply	Volts/Hz	230/50	230/50	230/50	230/50
Permanent Live Required		Yes	Yes	Yes	Yes
Power Consumption	Watts	155	155	155	160
External Fuse Rating	Amps	3	3	3	3
Boiler IPX Rating (Electrical Protection)		IPX5D	IPX5D	IPX5D	IPX5D
Integral 'Boiler Only' Frost Thermostat		Yes	Yes	Yes	Yes
<b>Mechanical</b>					
Wall Mounting Jig		Yes	Yes	Yes	Yes
Isolating Valves		Yes	Yes	Yes	Yes
Gas Supply Connection	mm	22	22	22	22
Central Heating Connections	mm	22	22	22	22
Domestic Hot Water Connections	mm	15	15	15	15
Condensate Drain Connection	mm	21.5	21.5	21.5	21.5
Safety Discharge Connection	mm	15	15	15	15
Filling Loop Kit		Optional	Optional	Optional	Optional
<b>Hydraulic</b>					
Domestic Hot Water Output (Raised 35°C) (max)	l/min	9.8	9.8	11.5	13.5
Domestic Hot Water Operating Flow Rate (min)	l/min	2	2	2	2
Domestic Hot Water Operating Pressure (min)	bar	0.15	0.15	0.15	0.15
Domestic Hot Water System Pressure (max)	bar	8	8	8	10
Safety Discharge Discharge Pressure	bar	3	3	3	3
Integral Automatic Bypass		Yes	Yes	Yes	Yes
Integral Expansion Vessel Capacity	litres	8	8	8	8
CH System Capacity (max)	litres	125	125	125	155
Compartment Ventilation Required		No	No	No	No
24hr Pump Exercise		Yes	Yes	Yes	Yes
Pump Overrun		Yes	Yes	Yes	Yes
<b>Concentric Flue Systems</b>					
Concentric Flue Diameters	mm		60/100 and 80/125		
Concentric Flue Length	mm	685	685	685	685
Max. Equivalent Vertical Length (Ø 60/100)	m	10	10	10	10
Max. Equivalent Vertical Length (Ø 80/125)	m	20	20	20	20
Max. Equivalent Horizontal Length (Ø 60/100)	m	10	10	10	10
Max. Equivalent Horizontal Length (Ø 80/125)	m	20	20	20	20
<b>Twin Flue System</b>					
Twin Pipe Flue Diameter	mm	80/80	80/80	80/80	80/80
Max. Equivalent Vertical Length	m	15	15	15	15
Max. Equivalent Horizontal Length	m	15	15	15	15
<b>Plume Displacement Kit</b>					
Max. Equivalent Vertical Length	m	13	13	14	8
<b>Weights</b>					
Gross Packaged Boiler Weight	kg	48.6	48.6	49.2	51
Packaged Boiler Dimensions (LxWxD)	mm	964 x 540 x 403			

A range of high-efficiency combi boilers that are quick and easy to install in a wide range of homes.

As flexible as they are reliable, each model offers built-in frost protection and flues that can be fitted almost anywhere.

## Key features and benefits

- 24kW, 28kW and 33kW wall-mounted models
- Fully modulating outputs from 6.8kW to 33kW suitable for a wide range of installations
- Supplied complete with wall-mounting jig for easy installation
- Built-in two stage frost protection prolongs appliance lifespan and saves time during installation
- Comprehensive range of fluing options for easy siting
- 24kW model available in LPG
- Optional space frame kit available to allow routing of pipes behind the boiler
- Compatible with the Potterton Single Channel Wireless Programmable Room Thermostat
- Suitable for use with the Multifit GasSaver - which can give annual DHW gas savings of upto 37%



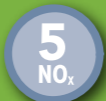
Integral Frost Protection



Flue lengths up to 20m give you siting flexibility



1 year warranty



Ultra-low NOx emissions. Class 5 (the best)



Can be situated in an unventilated cupboard



SEDBUK Band A

## Flue Options

The standard flue is suitable only for horizontal termination applications. Maximum permissible equivalent flue lengths are:

Horizontal Concentric	10/20* metres
Vertical Concentric	10/20* metres
Vertical Twin Pipe	15 metres

\* Dependent on flue system used.

Any additional 'in line' bends in the flue system must be taken into consideration.

Their equivalent lengths are:

Concentric Pipes:	135° bend	0.5 metres
	93° bend	1.0 metres
Twin Flue Pipe:	135° bend	0.25 metres
	90° bend	0.50 metres

The elbow is now supplied with the flue system (not the appliance) and is not included in any equivalent length calculations.

The Multifit flue illustrations show examples of permissible flue lengths. Instructions for guidance and fitting are included in each kit, where appropriate.



The Potterton Promax Combi HE Plus A can be fitted with the following flue systems:

Horizontal Concentric	Flue System A	Pg 21
	Flue System G	Pg 22
Vertical Concentric	Flue System A	Pg 21
	Flue System G	Pg 22
Twin Pipe	Flue System N	Pg 23
Plume Displacement Kit	Flue System K	Pg 24

For accessories please see Pg 26



# Performa Combi HE



The Performa Combi HE delivers high performance and flexible siting options, with modulating output to maximise economy.

Backed by Potterton's proven reliability and a 1 year warranty.

## Key features and benefits

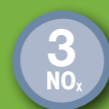
- 24kW Eco and 30kW wall-mounted models
- Modulating outputs to maximise economy
- SEDBUK Band B rated energy efficiency
- Independent control of domestic hot water and heating temperature
- Operating mode selector switch with reset
- Choice of two optional integral timers
- Optional Wireless Programmable Room Thermostat
- Optional LPG conversion kit



Fully modulating



1 year warranty



NO<sub>x</sub> emissions Class 3

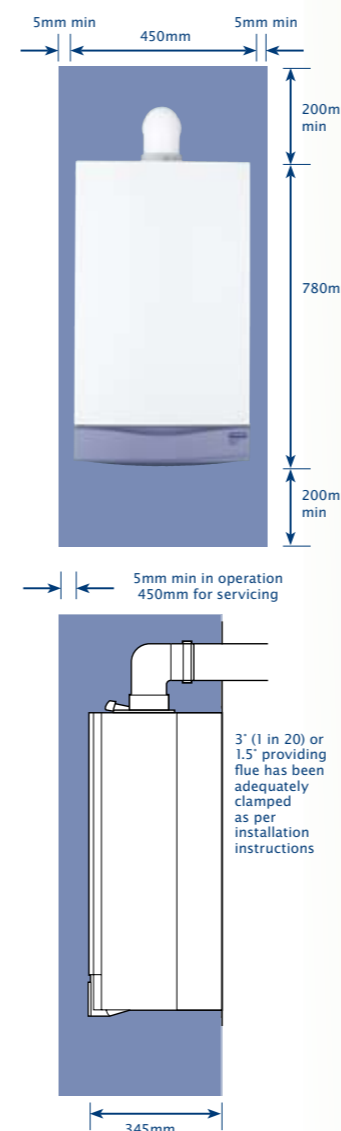


Can be situated in an unventilated cupboard



SEDBUK Band B

# Technical Information - 24 Eco & 30 HE



Performa Combi HE	Units	24kW	30kW
Sales Code (Boiler only)		5110553	5110555
Sales Code (Std Flue)		5118489	5118489
Sales Code (Boiler with flue)		5110563	5110565
<b>Controls</b>			
Concealed User Controls		Yes	Yes
Operating mode selector switch with reset		Yes	Yes
User adjustable DHW temperature		Yes	Yes
User adjustable CH temperature		Yes	Yes
LED Operating Status Display		Yes	Yes
Integral 24hr Electro-Mechanical Timer		Optional	Optional
Integral 7 day Electronic Timer		Optional	Optional
Single Channel Wireless Programmable Room Thermostat		Optional	Optional
<b>Gas</b>			
Gas (Natural Gas/LPG)		NG/LPG	NG/LPG
Inlet Supply Pressure (NG)	mbar	20	20
Inlet Supply Pressure (LPG)	mbar	37	37
Maximum Gas Rate	m <sup>3</sup> /hr	2.62	3.22
Central Heating Input (max)	kW	24.8	30.5
Central Heating Output - Condensing (max)	kW	25.2	31
Central Heating Output - Non Condensing (max)	kW	24	29.6
Domestic Hot Water Input (max)	kW	24.8	30.5
Seasonal Efficiency	%	87.3	87.3
SEDBUK Rating	Band	B	B
NOx Class		3	3
NOx Levels	mg/kWhr	144	143
<b>Electrical</b>			
Electrical Supply	Volts/Hz	230/50	230/50
Permanent Live Required		Yes	Yes
Power Consumption	Watts	170	180
External Fuse Rating	Amps	3	3
Boiler IPX Rating (Electrical Protection)		IPX4D	IPX5D
Integral 'Boiler Only' Frost Thermostat		No	Yes
<b>Mechanical</b>			
Hanging Bracket		Yes	Yes
Isolating Valves		Yes	Yes
Gas Supply Connection	mm	22	22
Central Heating Connections	mm	15	15
Domestic Hot Water Connections	mm	15	15
Condensate Drain Connection	mm	21.5	21.5
Safety Discharge Connection		15	15
Filling Loop Kit		Optional	Optional
<b>Hydraulic</b>			
Domestic Hot Water Output (Raised 35°C) (max)	l/min	9.8	12.1
Domestic Hot Water Operating Flow Rate (min)	l/min	2.5	2.5
Domestic Hot Water Operating Pressure (min)	bar	0.2	0.2
Domestic Hot Water System Pressure (max)	bar	8	8
Safety Discharge Discharge Pressure	bar	3	3
Integral Automatic Bypass		Yes	Yes
Integral Expansion Vessel Capacity	bar	8	8
CH System Capacity (max)	litres	125	125
Compartment Ventilation Required		No	No
24hr Pump Exercise		No	Yes
Pump Overrun		No	Yes
<b>Concentric Flue Systems</b>			
Concentric Flue Diameter	mm		60/100
Concentric Flue Length	mm	685	685
Max. Equivalent Vertical Length (Ø 60/100)	m	4	4
Max. Equivalent Horizontal Length (Ø 80/125)	m	3	3
<b>Weights</b>			
Gross Packaged Boiler Weight	kg	50	50
Packaged Boiler Dimensions (LxWxD)	mm		780x450x345

## Flue Options

The standard flue is suitable only for horizontal applications. Maximum permissible equivalent flue lengths are:

	Concentric Horizontal	Concentric Vertical
Combi 24 Eco HE	4 metres	4 metres
Combi 30 HE	3 metres	3 metres

Any additional 'in line' bends in the flue system must be taken into consideration.

Their equivalent lengths are:

Concentric Pipes:	135° bend	0.5 metres
	93° bend	1.0 metres

The elbow is now supplied with the flue system (not the appliance) and is not included in any equivalent length calculations. The Multifit flue illustrations show examples of permissible flue lengths. Instructions for guidance and fitting are included in each kit, where appropriate.



The Potterton Performa Combi HE can be fitted with the following flue systems:

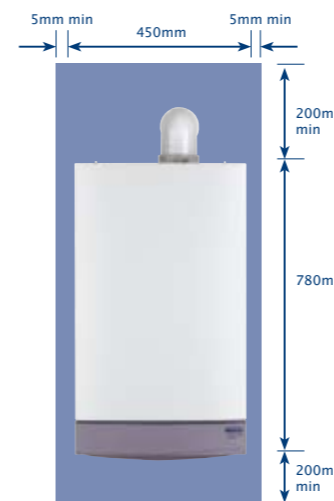
Horizontal Concentric	Flue System A	Pg 21
Vertical Concentric	Flue System A	Pg 21
Plume Displacement Kit	Flue System K	Pg 24

For accessories please see Pg 26

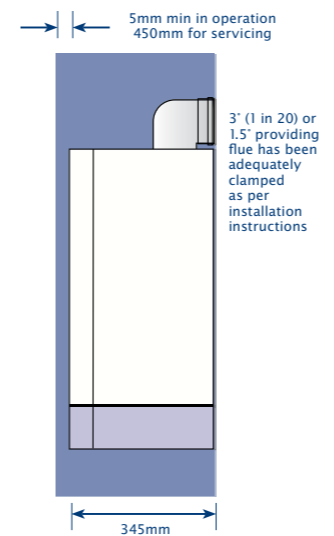
# Promax System HE Plus A



# Technical Information - 12, 15, 18, 24/24 LPG & 32 HE Plus A



NB. Flue is offset to the right.



Promax System HE Plus A	Units	12kW	15kW	18kW	24kW	24kW LPG	32kW
Sales Code (Boiler only)		5121636	5121620	5121619	5113837	5131548	5121692
Sales Code (Std Flue)		5118489	5118489	5118489	5118489	5118489	5118489
Sales Code (Boiler with flue)		5121674	5121673	5121672	5113840	5131556	5121691
<b>Controls</b>							
Concealed User Controls		Yes	Yes	Yes	Yes	Yes	Yes
Operating mode selector switch with reset		Yes	Yes	Yes	Yes	Yes	Yes
User adjustable CH temperature		Yes	Yes	Yes	Yes	Yes	Yes
LCD Operating Status Display		Yes	Yes	Yes	Yes	Yes	Yes
LED Operating Status Display		Yes	Yes	Yes	Yes	Yes	Yes
<b>Gas</b>							
Gas (Natural Gas/LPG)		NG	NG	NG	NG	LPG	NG
Inlet Supply Pressure	mbar	20	20	20	20	37	20
Maximum Gas Rate	m <sup>3</sup> /hr	1.69	1.69	1.95	2.61	1.92	3.48
Central Heating Input (max)	kW	13.8	17.1	20.5	27.4	27.4	36.4
Central Heating Output - Condensing (max)	kW	13	16.2	19.4	25.9	25.9	34.4
Central Heating Output - Non Condensing (max)	kW	12	15	18	24	24	32
Seasonal Efficiency	%	91.2	91.2	91.2	91.2	93.2	91.2
SEDBUK	Band	A	A	A	A	A	A
NOx Class		5	5	5	5	5	5
NOx Levels	mg/kWhr	27.5	27.5	31.7	22.3	22.3	26.8
EcoHomes	Credits	3	3	3	3	3	3
<b>Electrical</b>							
Electrical Supply	Volts/Hz	230/50	230/50	230/50	230/50	230/50	230/50
Permanent Live Required		Yes	Yes	Yes	Yes	Yes	Yes
Power Consumption	Watts	145	130	140	150	150	160
External Fuse Rating	Amps	3	3	3	3	3	3
Boiler IPX Rating (Electrical Protection)		IPX 5D	IPX 5D	IPX 5D	IPX 5D	IPX 5D	IPX 5D
Integral 'Boiler Only' Frost Thermostat		Yes	Yes	Yes	Yes	Yes	Yes
<b>Mechanical</b>							
Wall Mounting Jig		Yes	Yes	Yes	Yes	Yes	Yes
Isolating Valves		Yes	Yes	Yes	Yes	Yes	Yes
Gas Supply Connection	mm	22	22	22	22	22	22
Central Heating Connections	mm	22	22	22	22	22	22
Condensate Drain Connection	mm	21.5	21.5	21.5	21.5	21.5	21.5
Safety Discharge Connection	mm	15	15	15	15	15	15
Temporary Filling Loop	Optional	Yes	Yes	Yes	Yes	Yes	Yes
<b>Hydraulic</b>							
Integral Automatic Bypass		Yes	Yes	Yes	Yes	Yes	Yes
Integral Expansion Vessel	litres	8	8	8	8	8	10
Maximum Capacity of CH System	litres	125	125	125	125	125	125
Compartment Ventilation Required		No	No	No	No	No	No
24hr Pump Exercise		Yes	Yes	Yes	Yes	Yes	Yes
Pump Overrun		Yes	Yes	Yes	Yes	Yes	Yes
<b>Concentric Flue Systems</b>							
Concentric Flue Diameter	mm	60/100 and 80/125					
Concentric Flue Length	mm	685	685	685	685	685	685
Max. Equivalent Vertical Length (Ø 60/100)	m	10	10	10	10	10	10
Max. Equivalent Vertical Length (Ø 80/125)	m	20	20	20	20	20	20
Max. Equivalent Horizontal Length (Ø 60/100)	m	10	10	10	10	10	10
Max. Equivalent Horizontal Length (Ø 80/125)	m	20	20	20	20	20	20
<b>Twin Flue System</b>							
Twin Pipe Flue Diameter	mm	80/80	80/80	80/80	80/80	80/80	80/80
Max. Equivalent Vertical Length	m	15	15	15	15	15	15
Max. Equivalent Horizontal Length	m	15	15	15	15	15	15
<b>Plume Displacement Kit</b>							
Max. Equivalent Vertical Length	m	14	14	14	8	8	8
<b>Weights</b>							
Gross Packaged Boiler Weight	kg	43.6	43.6	43.6	44.2	44.2	46
Packaged Boiler Dimensions (LxWxD)	mm	964 x 540 x 403					

The Potterton Promax System HE Plus A can be fitted with the following flue systems:

	Flue System	Page N°
Horizontal Concentric	A	p23
Horizontal Concentric	G	p24
Vertical Concentric	A	p23
Vertical Concentric	G	p24
Twin Pipe	N	p25
Plume Displacement Kit	K	p26
Accessories		p26



## Flue Options

### Concentric Flue

The standard flue is suitable only for horizontal termination applications. Maximum permissible equivalent flue lengths are:

Horizontal Concentric	10/20* metres
Vertical Concentric	10/20* metres
Vertical Twin Pipe	15 metres

\*Dependent on flue system used.

Any additional 'in line' bends in the flue system must be taken into consideration.

Their equivalent lengths are:

Concentric Pipes:	135° bend	0.5 metres
	93° bend	1.0 metres
Twin Flue Pipe:	135° bend	0.25 metres
	91.5° bend	0.50 metres

The elbow is now supplied with the flue system (not the appliance) and is not included in any equivalent length calculations. The Multifit flue illustrations show examples of permissible flue lengths. Instructions for guidance and fitting are included in each kit, where appropriate.

## Santon PremierPlus

The Potterton Promax System HE Plus A is compatible with the Santon PremierPlus cylinder



- Unvented Duplex stainless steel cylinder
- Choice of 100, 120, 150, 170, 210, 250 and 300 litre capacities
- 25 year cylinder guarantee with on-site service support

For further details on the Santon range, please call 01603 420128

SEDBUK Band A boiler range with outputs from 12kW to 32kW.

Each of the five models are fully modulating and can be sited easily with flue lengths of up to 20m.

## Key features and benefits

- 12kW, 15kW, 18kW, 24kW and 32kW wall-mounted models
- 24kW model available in LPG
- Fully modulating from 3.9kW to 32kW suitable for installation in a wide range of properties
- Supplied complete with wall-mounting jig for easy installation
- Optional stand-off bracket available to allow upwards pipe routing in case
- Built-in two stage frost protection prolongs appliance lifespan and saves time during installation
- Integral automatic full system bypass reduces installation time and additional component costs
- Comprehensive range of fluing options for easy siting
- SEDBUK Band A – the highest energy efficiency rating
- Low NO<sub>x</sub> emissions



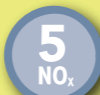
Integral Frost Protection



Flue lengths up to 20m give you siting flexibility



1 year warranty



Ultra-low NO<sub>x</sub> emissions. Class 5 (the best)

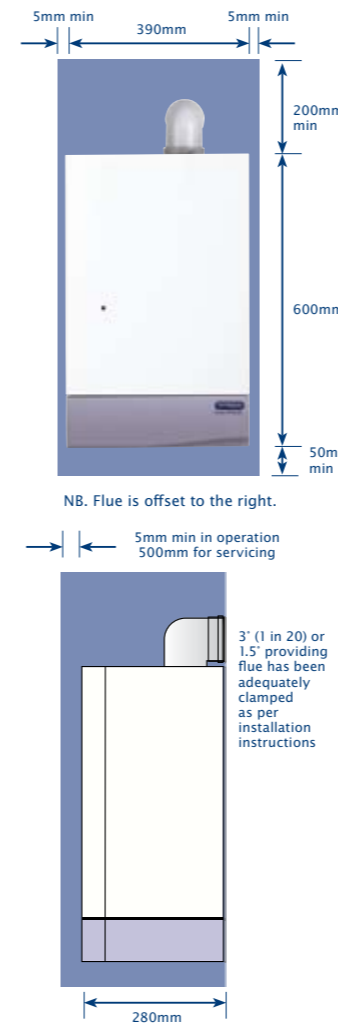


Can be sited in an unvented cupboard



SEDBUK Band A





Promax SL	Units	12kW	15kW	18kW	24kW	30kW
Sales Code (Boiler only)		5121406	5120240	5121405	5120242	5120244
Sales Code (Std Flue)		236921	236921	236921	236921	236921
Sales Code (Boiler with flue)		5121918	5120241	5121919	5120243	5120245
<b>Controls</b>						
Concealed User Controls		Yes	Yes	Yes	Yes	Yes
LED Operating Status Display		Yes	Yes	Yes	Yes	Yes
<b>Gas</b>						
Gas (Natural Gas/LPG)		Natural	Natural	Natural	Natural	Natural
Inlet Supply Pressure	mbar	20	20	20	20	20
Maximum Gas Rate	m <sup>3</sup> /hr	1.34	1.64	1.94	2.31	2.95
Central Heating Input (max)	kW	13.34	16.9	20.2	20.2	33.8
Central Heating Output - Condensing (max)	kW	12.81	16.5	19.6	23.8	32.6
Central Heating Output - Non Condensing (max)	kW	11.82	15.2	17.8	22	30.2
Seasonal Efficiency	%	90.5	91.3	90.4	90.9	90.9
SEDBUK Rating	Band	A	A	A	A	A
NOx Class		5	5	5	5	5
NOx Levels	mg/kWhr	31.1	29	11.7	37	48
EcoHomes	Credits	3	3	3	3	2
<b>Electrical</b>						
Electrical Supply	Volts/Hz	230/50	230/50	230/50	230/50	230/50
Permanent Live Required		No	No	No	No	No
Power Consumption	Watts	80	80	80	80	80
External Fuse Rating	Amps	3	3	3	3	3
Boiler IPX Rating (Electrical Protection)		IPX2	IPX2	IPX2	IPX2	IPX2
Integral 'Boiler Only' Frost Thermostat		No	No	No	No	No
<b>Mechanical</b>						
Gas Supply Connection	mm	22	22	22	22	22
Central Heating Connections	mm	22	22	22	22	22
Condensate Drain Connection	mm	21.5	21.5	21.5	21.5	21.5
Upward piping route		Yes	Yes	Yes	Yes	Yes
<b>Hydraulic</b>						
Safety Discharge Discharge Pressure	bar	3	3	3	3	3
Compartment Ventilation		No	No	No	No	No
<b>Concentric Flue Systems</b>						
Concentric Flue Diameter	mm	70/110				
Concentric Flue Length	mm	850	850	850	850	850
Max. Equivalent Vertical Length (70/110)	m	4	4	4	4	4
Max. Equivalent Horizontal Length (70/110)	m	4	4	4	4	4
<b>Twin Flue System</b>						
Twin Pipe Flue Diameter	mm	80/80	80/80	80/80	80/80	80/80
Max. Equivalent Vertical Length	m	75	75	75	75	75
Max. Equivalent Horizontal Length	m	75	75	75	75	75
<b>Plume Displacement Kit</b>						
Max. Equivalent Vertical Length	m	29	29	29	29	22
<b>Weights</b>						
Gross Packaged Boiler Weight	kg	35.2	35.2	35.2	35.2	35.2
Packaged Boiler Dimensions (LxWxD)	mm	670 x 465 x 420				

Deceptively small, the slimline Potterton Promax SL is a powerful, high-efficiency boiler available in five outputs.

All models are fully modulating and are ideal for installation in standard kitchen units.

## Key features and benefits

- 12kW, 15kW, 18kW, 24kW and 30kW slimline wall-mounted models
- Fully modulating outputs from 9.14kW to 30.2kW suitable for installation in a wide range of properties
- Lightweight with compact dimensions allowing easy siting
- Designed to fit in a minimal space, including standard kitchen units
- Wall-mounting bracket for simple fixing
- No compartment ventilation required, reducing installation time
- Comprehensive range of fluing options for easy siting
- SEDBUK Band A – the highest energy efficiency rating
- Ultra-low NOx emissions



Flue lengths up to 50m give you siting flexibility



1 year warranty



Ultra-low NOx emissions. Class 5 (the best)



Can be situated in an unventilated cupboard



SEDBUK Band A



The Potterton Promax SL can be fitted with the following flue systems:

	Flue System	Page N°
Horizontal Concentric	B	p23
Vertical Concentric	B	p24
Twin Pipe	P	p25
Plume Displacement Kit	L	p26
Accessories		p26

## Flue Options

### Concentric Flue

The maximum equivalent lengths are 4m (horizontal and vertical). These lengths exclude the standard elbow and flue/terminal assembly (horizontal) and terminal assembly (vertical).

### Twin Flue

The total maximum permissible equivalent flue length for calculation purposes is 150m however in reality only 100m of physical flue pipe will be used, i.e. where air and flue pipes run parallel, the maximum permissible flue length per tube is 50m. Flue tubes should be counted as 2m and air tubes as 1m for this calculation.

Any additional 'in line' bends in the flue system must be taken into consideration.

Their equivalent lengths are:

Concentric Pipes: 135° bend 0.5 metres  
90° bend 1.0 metres

Twin Flue Pipe: 135° bend (air/flue) 1.3/2.6 metres  
90° bend (air/flue) 4.8/9.6 metres

The elbow is now supplied with the flue system (not the appliance) and is not included in any equivalent length calculations. Detailed examples of equivalent flue length calculations are given in the Installation Guidance Notes for each flue system type (Documents 243501 and 243502 for concentric and twin pipe respectively).

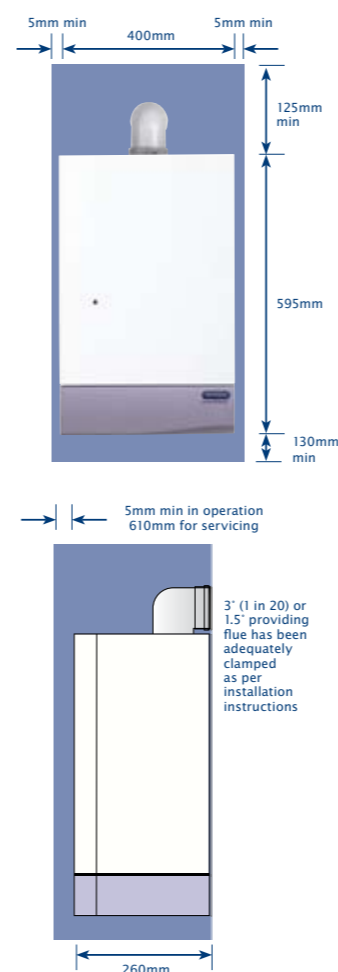
## Santon PremierPlus SystemFit

The Potterton Promax SL is compatible with the Santon PremierPlus SystemFit cylinder



- Unvented Duplex stainless steel cylinder
- Choice of 120, 150, 170, 210, 250 and 300 litre capacities
- Pre-plumbed format to reduce on-site installation time
- 25 year cylinder guarantee with on-site service support

For further details on the Santon range, please call 01603 420128



Suprima HE	Units	30	40	50	60	70	80
Sales Code (Boiler only)		5110061	5110062	5110063	5110064	5110065	5110066
Sales Code (Std Flue)		5118489	5118489	5118489	5118489	5118489	5118489
Sales Code (Boiler with flue)		5110307	5110308	5110309	5110310	5110311	5110312
<b>Controls</b>							
Concealed User Controls		Yes	Yes	Yes	Yes	Yes	Yes
User adjustable CH temperature		Yes	Yes	Yes	Yes	Yes	Yes
LED Operating Status Display		Yes	Yes	Yes	Yes	Yes	Yes
Integral 24hr Electro-Mechanical Timer		Optional	Optional	Optional	Optional	Optional	Optional
<b>Gas</b>							
Gas (Natural Gas/LPG)		NG	NG	NG	NG	NG	NG
Inlet Supply Pressure	mbar	20	20	20	20	20	20
Maximum Gas Rate	m <sup>3</sup> /hr	0.98	1.3	1.63	1.95	2.28	2.6
Central Heating Input (max)	kW	10.22	13.62	17.04	20.43	23.84	27.25
Central Heating Output - Condensing (max)	kW	9.5	12.64	15.66	18.83	21.89	24.94
Central Heating Output - Non Condensing (max)	kW	8.82	11.78	14.76	17.72	20.68	23.63
Seasonal Efficiency	%	86.1	86.4	86.2	86.2	86.2	86.2
SEDBUK Rating	Band	B	B	B	B	B	B
NOx Class		2	2	2	2	2	2
<b>Electrical</b>							
Electrical Supply	Volts/Hz	230/50	230/50	230/50	230/50	230/50	230/50
Permanent Live Required		Yes	Yes	Yes	Yes	Yes	Yes
Power Consumption	Watts	80	80	80	80	80	80
External Fuse Rating	Amps	3	3	3	3	3	3
Boiler IPX Rating (Electrical Protection)		IPX2	IPX2	IPX2	IPX2	IPX2	IPX2
Integral 'Boiler Only' Frost Thermostat		Yes	Yes	Yes	Yes	Yes	Yes
<b>Mechanical</b>							
Gas Supply Connection	mm	15	15	15	15	15	15
Flow & Return Connection	mm	22	22	22	22	22	22
Condensate Drain Connection	mm	21.5	21.5	21.5	21.5	21.5	21.5
<b>Hydraulic</b>							
Safety Discharge Discharge Pressure	bar	3	3	3	3	3	3
Compartment Ventilation Required		Yes	Yes	Yes	Yes	Yes	Yes
24hr Pump Exercise		Yes	Yes	Yes	Yes	Yes	Yes
Pump Overrun		Yes	Yes	Yes	Yes	Yes	Yes
<b>Concentric Flue Systems</b>							
Concentric Flue Diameter	mm	60/100					
Concentric Flue Length	mm	750	750	750	750	750	750
Max. Equivalent Vertical Length (100)	m	3.2	3.2	3.2	3.2	3.2	3.2
Max. Equivalent Horizontal Length (100)	m	3.5	3.5	3.5	3.5	3.5	3.5
<b>Twin Flue System</b>							
Twin Pipe Flue Diameter	mm	80/80					
Max. Equivalent Vertical Length	m	6.8	6.8	6.8	6.8	6.8	6.8
Max. Equivalent Horizontal Length	m	6.8	6.8	6.8	6.8	6.8	6.8
<b>Plume Displacement Kit</b>							
Max. Equivalent Vertical Length	m	4	4	4	4	4	4
<b>Weights</b>							
Gross Packaged Boiler Weight	kg	42.2	42.2	42.2	42.2	42.2	42.2
Packaged Boiler Dimensions (LxWxD)	mm	815 x 485 x 310					

An unsurpassed range of outputs and a host of installer-friendly features make the Potterton Suprima HE a perfect choice for domestic installations.

## Key features and benefits

- Tried and tested Potterton technology
- Six models to cover every possible output requirement
- Fully modulating
- Compact design and minimal installation clearances
- Optional integral 7 day twin channel programmer
- Optional stand-off kit for descending flow and return
- Robust cast iron and aluminium heat exchangers
- Compact dimensions allowing easy siting



Flue lengths up to 6.8m give you siting flexibility



1 year warranty



Integral Frost Protection



SEDBUK Band B



Compact dimensions



The Potterton Suprima HE can be fitted with the following flue systems:

	Flue System	Page N°
Horizontal Concentric	A	p23
Vertical Concentric	A	p23
Twin Pipe	N	p25
Plume Displacement Kit	K	p26
Accessories		p26

## Flue Options

### Concentric Flue

The maximum equivalent lengths are 3.55m horizontal and 1.9m vertical. These lengths exclude the standard elbow and flue/terminal assembly (horizontal) and terminal assembly (vertical).

### Twin Flue

The total maximum equivalent flue length is 75m.

Note: Air and flue tubes parallel.

Any additional 'in line' bends in the flue system must be taken into consideration.

Their equivalent lengths are:

Concentric Pipes:	135° bend	0.5 metres
	93° bend	1.0 metres
Twin Flue Pipe:	135° bend	1.3 metres
	90° bend	4.8 metres

Detailed examples of equivalent flue length calculations are given in the Installation Guidance Notes for each flue system type (Documents 243501 and 243502 for concentric and twin pipe respectively).

## Santon PremierPlus SystemFit

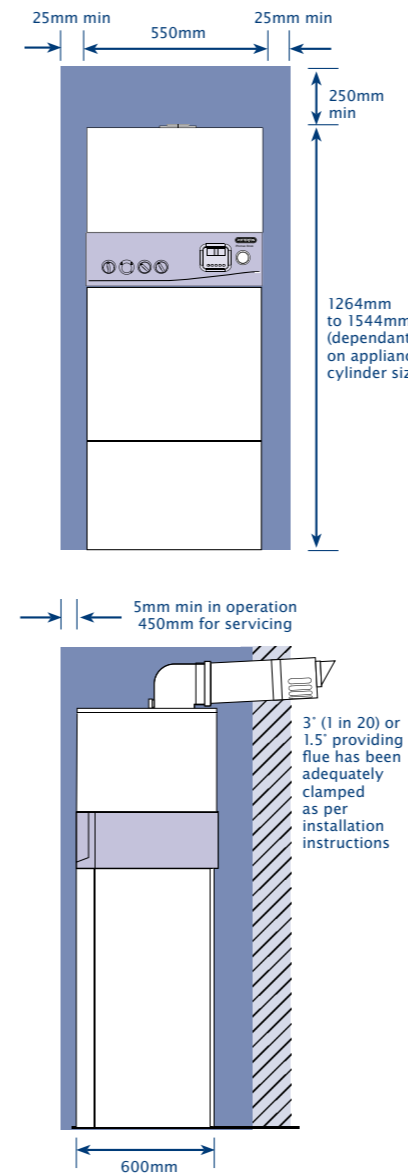
The Potterton Suprima HE is compatible with the Santon PremierPlus SystemFit cylinder



- Unvented Duplex stainless steel cylinder
- Choice of 120, 150, 170, 210, 250 and 300 litre capacities
- Pre-plumbed format to reduce on-site installation time
- 25 year cylinder guarantee with on-site service support

For further details on the Santon range, please call 01603 420128





Promax HE Store	Units	90i	115i	150i
Sales Code (Boiler incl cylinder)		5117093	5117094	5117095
Sales Code (Std Flue)		5118489	5118489	5118489
<b>Controls</b>				
Operating mode selector switch with reset		Yes	Yes	Yes
User adjustable DHW temperature		Yes	Yes	Yes
User adjustable CH temperature		Yes	Yes	Yes
LED Operating Status Display		Yes	Yes	Yes
Integral 7 day twin channel timer		Yes	Yes	Yes
<b>Gas</b>				
Gas (Natural Gas/LPG)		NG	NG	NG
Inlet Supply Pressure	mbar	20	20	20
Maximum Gas Rate	m <sup>3</sup> /hr	2.6	2.6	2.6
Central Heating Input (max)	kW	27.4	27.4	27.4
Central Heating Output - Condensing (max)	kW	25.9	25.9	25.9
Central Heating Output - Non Condensing (max)	kW	24	24	24
Seasonal Efficiency	%	90.3	90.3	90.4
SEDBUK Rating	Band	A	A	A
NOx Class		5	5	5
NOx Levels	mg/kWhr	26	26	26
EcoHomes	Credits	3	3	3
<b>Electrical</b>				
Electrical Supply	Volts/Hz	230/50	230/50	230/50
Permanent Live Required		Yes	Yes	Yes
Power Consumption	Watts	166	166	166
External Fuse Rating	Amps	3	3	3
Boiler IPX Rating (Electrical Protection)		3	3	3
Integral 'Boiler Only' Frost Thermostat		Yes	Yes	Yes
Back-up Immersion Heater		Yes	Yes	Yes
<b>Mechanical</b>				
Gas Supply Connection	mm	22	22	22
Central Heating Connections	mm	22	22	22
Condensate Drain Connection	mm	21.5	21.5	21.5
<b>Hydraulic</b>				
Domestic Hot Water Output (Raised 35°C) (max)	l/min	25	25	25
Safety Discharge Discharge Pressure	bar	3	3	3
Integral Automatic Bypass		Yes	Yes	Yes
Integral Expansion Vessel Capacity (heating)	litres	12	12	12
CH System Capacity (max)	litres	160	160	160
Compartment Ventilation Required		No	No	No
24hr Pump Exercise		Yes	Yes	Yes
Pump Overrun		Yes	Yes	Yes
<b>Concentric Flue Systems</b>				
Concentric Flue Diameter	mm	80/125		
Concentric Flue Length	mm	685	685	685
Max. Equivalent Vertical Length (Ø 60/100)	m	10	10	10
Max. Equivalent Vertical Length (Ø 80/125)	m	20	20	20
Max. Equivalent Horizontal Length (Ø 60/100)	m	10	10	10
Max. Equivalent Horizontal Length (Ø 80/125)	m	20	20	20
<b>Twin Flue System</b>				
Twin Pipe Flue Diameter	mm	80/80		
Max. Equivalent Vertical Length	m	15	15	15
Max. Equivalent Horizontal Length	m	15	15	15

Designed to fit easily in a standard airing cupboard, the Potterton Promax HE Store is an integrated hot water storage and central heating boiler.

Each model in the range is rated SEDBUK Band A – the highest efficiency rating.

## Key features and benefits

- 24kW 90L, 115L or 150L capacity
- Fully modulating from 6.8kW to 24kW – suitable for a wide range of installations
- Fully pumped sealed systems – removes the need for tanks in the loft, saving installation time and space
- Unique roller system and low lift weight to aid ease of installation
- Unique cold water inlet spreader tee to ensure operating on a hot water priority system
- 7 day digital programmer, factory fitted for quicker installation
- No compartment ventilation required, reducing installation time
- Built-in two stage frost protection prolongs appliance lifespan and saves time during installation
- Comprehensive range of fluing options for easy siting
- SEDBUK Band A – the highest efficiency rating



Integral Frost Protection



10 year Cylinder warranty



1 year boiler warranty



Ultra-low NOx emissions. Class 5 (the best)



Fully Modulating



SEDBUK Band A

## Flue Options

The standard flue is suitable only for horizontal termination applications.

Maximum permissible equivalent flue lengths are:

Horizontal Concentric	10/20* metres
Vertical Concentric	10/20* metres
Vertical Twin Pipe	15 metres
Horizontal Twin Pipe	15 metres

\*Dependent on flue system used.

Any additional 'in line' bends in the flue system must be taken into consideration.

Their equivalent lengths are:

Concentric Pipes:	135° bend	0.5 metres
	93°/ 91.5° bend	1.0 metres
Twin Flue Pipe:	135° bend	0.25 metres
	90° bend	0.50 metres

The elbow is now supplied with the flue system (not the appliance) and is not included in any equivalent length calculations. The Multifit flue illustrations show examples of permissible flue lengths. Instructions for guidance and fitting are included in each kit, where appropriate.

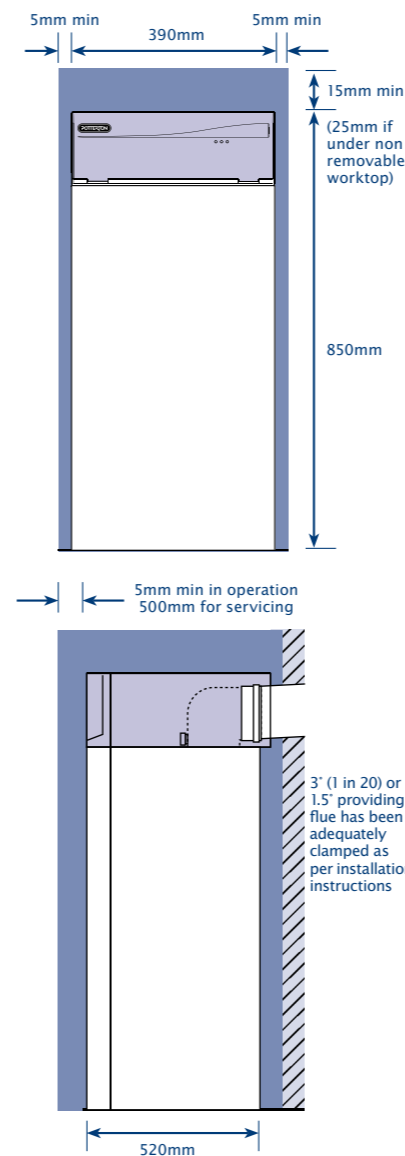


The Potterton Promax HE Store can be fitted with the following flue systems:

Horizontal Concentric	Flue System A	Pg 21
	Flue System G	Pg 22
Vertical Concentric	Flue System A	Pg 21
	Flue System G	Pg 22
Twin Pipe	Flue System N	Pg 23

For accessories please see Pg 26





Potterton Promax FSB 30 HE	Units	30kW
Sales Code (Boiler only)		5116630
Sales Code (Std Flue)		236921
Sales Code (Boiler with flue)		5116938
<b>Controls</b>		
Concealed User Controls		Yes
Operating mode selector switch with reset		Yes
User adjustable CH temperature		Yes
LED Operating Status Display		Yes
Integral 7 day Twin Channel Timer		Options
<b>Gas</b>		
Gas (Natural Gas/LPG)		NG
Inlet Supply Pressure	mbar	20
Maximum Gas Rate	m <sup>3</sup> /hr	3.4
Max. Central Heating Input	kW	33.76
Min. Central Heating Input	kW	10.3
Max. Central Heating Output (non condensing)	kW	30.18
Min. Central Heating Output (non condensing)	kW	9.2
Max. Central Heating Output (condensing)	kW	32.61
Min. Central Heating Output (condensing)	kW	10
Seasonal Efficiency	%	90.9
SEDBUK Rating	Band	A
NOx Class		5
NOx Levels	Mg/kWhr	48
EcoHomes	Credits	2
<b>Electrical</b>		
Electrical Supply	Volts/Hz	230/50
Permanent Live Required		Yes
Power Consumption	Watts	80
External Fuse Rating	Amps	3
Integral 'Boiler Only' Frost Thermostat		Yes
<b>Mechanical</b>		
Gas Supply Connection	mm	15
Flow & Return Pipe Connection	mm	28
Condensate Drain Connection	mm	10
<b>Hydraulic</b>		
Safety Discharge Pressure	bar	3
Compartment Ventilation Required		No
<b>Concentric Flue Systems</b>		
Concentric Flue Diameter	mm	70/110
Concentric Flue Length	mm	850
Max. Equivalent Vertical Length (Ø 70/110)	m	4
Max. Equivalent Horizontal Length (Ø 70/110)	m	4
<b>Twin Flue System</b>		
Twin Pipe Flue Diameter	mm	80/80
Max. Equivalent Vertical Length	m	50
Max. Equivalent Horizontal Length	m	50
<b>Plume Displacement Kit</b>		
Max. Equivalent Vertical Length	m	22
<b>Weights</b>		
Gross Packaged Boiler Weight	kg	49.5

A floor standing boiler with maximum flexibility, the Potterton Promax FSB 30 HE can be used with a range of fluing options, on fully pumped, open or sealed systems.

## Key features and benefits

- 30.2kW floor standing model
- Fully modulating from 9.3kW to 30.2kW – suitable for a wide range of installations
- Fully pumped open systems or sealed systems – permits compatibility with existing systems
- Integral condensate pump included as standard for easy siting of condensate discharge
- No compartment ventilation required, reducing installation time
- Built-in two stage frost protection prolongs appliance lifespan and saves time during installation
- Comprehensive range of fluing options for easy siting
- SEDBUK Band A – the highest energy efficiency rating
- Low NO<sub>x</sub> emissions



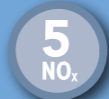
Integral Frost Protection



In-built condensate pump - can be situated in basement



1 year warranty



Ultra-low NO<sub>x</sub> emissions. Class 5 (the best)



Fully Modulating



SEDBUK Band A

## Flue Options

### Concentric Flue

The maximum equivalent lengths are 4m (horizontal and vertical). These lengths exclude the standard elbow and flue/terminal assembly (horizontal) and terminal assembly (vertical).

### Twin Flue

The total maximum permissible equivalent flue length for calculation purposes is 150m, however in reality only 100m of physical flue pipe will be used, i.e. where air and flue pipes run parallel, the maximum permissible flue length per tube is 50m. Flue tubes should be counted as 2m and air tubes as 1m for this calculation.

Any additional 'in line' bends in the flue system must be taken into consideration.

Their equivalent lengths are:

Concentric Pipes:	135° bend	0.5 metres
	93° bend	1.0 metres
Twin Flue Pipe:	135° bend (air/flue)	1.3/2.6 metres
	90° bend (air/flue)	4.8/9.6 metres

The elbow is now supplied with the flue system (not the appliance) and is not included in any equivalent length calculations. Detailed examples of equivalent flue length calculations are given in the Installation Guidance Notes for each flue system type (Documents 243501 and 243502 for concentric and twin pipe respectively).



The Potterton Promax FSB 30 HE can be fitted with the following flue systems:

Horizontal Concentric	Flue System B	Pg 21
Vertical Concentric	Flue System B	Pg 22
Twin Pipe	Flue System P	Pg 23
Plume Displacement Kit	Flue System L	Pg 24

For accessories please see Pg 26

## In-roof sets



- In-roof 1 or 2 panel sets
- 2.5m<sup>2</sup> flat plate Solar collectors
- Solar controller
- 2 x 2m Insulated flexible connection pipes
- Solar expansion vessel incorporating self-sealing shut off valve
- 20L Solar fluid
- Flashing sets for slate or tile roofs
- DHW blending valve (thermostatic control)
- Perfectly matched with Santon PremierPlus Solar cylinder
- Cylinder sizes available:
  - 190, 210, 250 & 300 Litre capacities (Indirect)
  - 170, 210, 260 & 300 Litre capacities (direct)
- Hydraulic pump station
- Safety group comprising pressure relief valve, pressure gauge and fill & drain valve

## On-roof sets



- On-roof 1, 2 or 3 panel sets
- 2.0m<sup>2</sup> flat plate Solar collectors
- Solar controller
- 2 x 2m Insulated flexible connecting pipes
- Solar expansion vessel incorporating self-sealing shut off valve
- 20L Solar fluid
- Combined slate & tile rails and roof mounting brackets supplied as standard
- DHW blending valve (thermostatic control)
- Perfectly matched with Santon PremierPlus Solar cylinder
- Cylinder sizes available:
  - 190, 210, 250 & 300 Litre capacities (Indirect)
  - 170, 210, 260 & 300 Litre capacities (direct)
- Hydraulic pump station
- Safety group comprising pressure relief valve, pressure gauge and fill & drain valve

## Santon PremierPlus Solar



- Unvented Duplex stainless steel cylinder
- Choice of 170 - 300 litre capacities
- Specially designed solar coil for maximum solar efficiency
- 25 year cylinder guarantee with on-site service support

Potterton Solar makes it easy for installers to move to solar energy. Backed by our 10 year guarantee as well as Solar Key Mark approval, this easy-to-fit range of packaged solutions is designed to deliver the long-term savings that renewable energy makes possible.

In-roof collector	
Height	2053mm
Width	1228mm
Depth	107mm
Weight	54kg
Transmission rate	95%
Maximum pressure	10bar
Shutdown temperature	210°C

On-roof collector	
Height	1730mm
Width	1170mm
Depth	83mm
Weight	39kg
Transmission rate	95%
Maximum pressure	10bar
Shutdown temperature	185°C

Potterton in-roof collector sets	Product code
Potterton 1 panel in-roof slate	5122737
Potterton 2 panel in-roof slate	5122738
Potterton 1 panel in-roof tile	5122739
Potterton 2 panel in-roof tile	5122740

Potterton on-roof collector sets	Product code
Potterton 1 panel on-roof slate & tile	5122268
Potterton 2 panel on-roof slate & tile	5122269
Potterton 3 panel on-roof slate & tile	5122270

Multifit accessories - solar	Product code
13M Solar sensor wire	5122237
Pipe kit - 30m - Solar accessory	5122238
6 off 22mm pipe elbow compression fitting - male	5122762
6 off 22mm pipe elbow compression fitting - female	5122763
6 off 22mm tee compression fittings	5122764
Solar gain module + sensor	5122235
Re-heat sensor	5122234
Relay - direct heating	5122765
Antifreeze test kit	5119559
Solar fluid 20L	5119549
On-roof East West Array kit	5129979
In-roof East West Array tile kit	5129981
In-roof East West Array slate kit	5129982
Flat roof mounting kit, 1 panel	5119551
Flat roof mounting kit, 2 panels	5119552
Flat roof mounting kit, 3 panels	5119553



## Multifit Product Codes

The tables to the left/above contain the Multifit product codes for each of the Potterton Solar collector sets and additional accessories available as part of the range. For further technical or Multifit information, please contact 0844 8711 560

**For full details on the solar range of products, refer to the Potterton Solar brochure**

To order a Potterton Solar brochure, call 0870 606 0623 or visit [www.potterton.co.uk](http://www.potterton.co.uk)



# Multifit Flue Illustrations

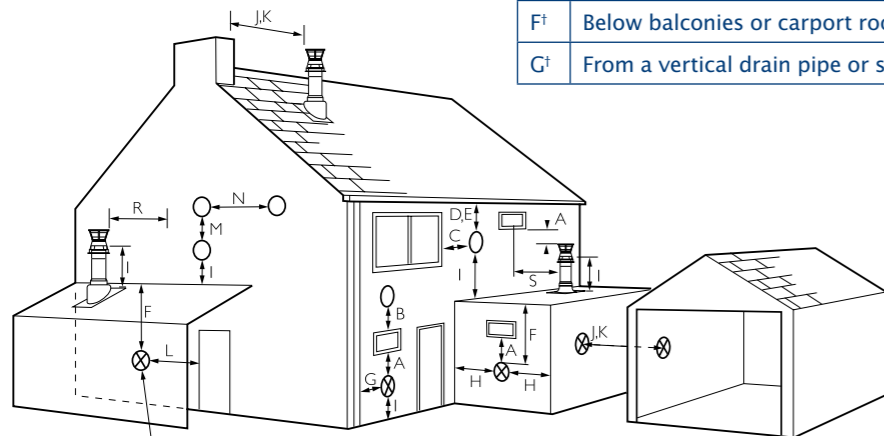


Potterton prides itself on providing you with products that ensure reliability, energy efficiency and, above all, service.

On 1st April 2007, Potterton integrated all flue components under one new name – Multifit. The following flue illustrations provide a guide for each of the flue systems required for all Potterton HE products.

**Important Note:** With the exception of the Suprima HE, Potterton products are no longer supplied with a flue elbow in the boiler packaging.

Terminal Position with Minimum Distance		(mm)
A*	Directly below an opening, air brick, opening windows etc.	300
B*	Above an opening, air brick, opening window etc.	300
C*	Horizontally to an opening, air brick, opening window etc.	300
D†	Below gutters, soil pipes or drain pipes.	150
E†	Below eaves.	200
F†	Below balconies or carport roof.	200
G†	From a vertical drain pipe or soil pipe.	150



⊗ Likely flue positions requiring a flue terminal guard

H†	From an internal (i) or external (ii) corner.	300
I	Above ground, roof or balcony level.	300
J	From a surface or boundary line facing a terminal.	600
K	From a terminal facing a terminal (horizontal flue).	1200
K	From a terminal facing a terminal (vertical flue).	600
L	From an opening in carport (e.g. door, window) into the dwelling.	1200
M	Vertically from a terminal on the same wall.	1500
N	Horizontally from a terminal on the same wall.	300
R	From adjacent wall to flue (vertical only).	300
S	From an adjacent opening window (vertical only).	1000

**\*Reduced clearances** This range of boilers has been tested and approved for use with certain clearances less than those shown. Horizontal flues in positions D, E, F, G & H(i) may be reduced to 25mm. H(ii) may only be reduced to 115mm. **Only one of these reductions may be used on a single installation.**

\*In addition, the terminal should be no nearer than 150mm to an opening in the building fabric formed for the purpose of accommodating a built-in element such as a window frame. See BS 5440 Pt1.

## Horizontal Concentric Flues 60/100mm Flue System A

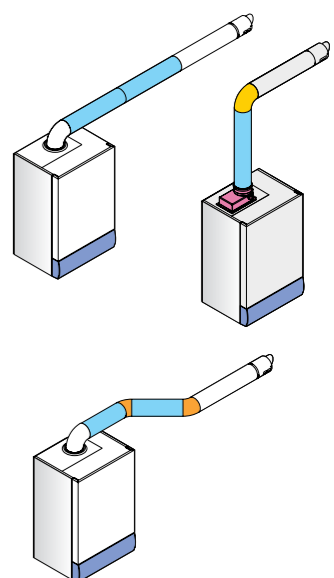
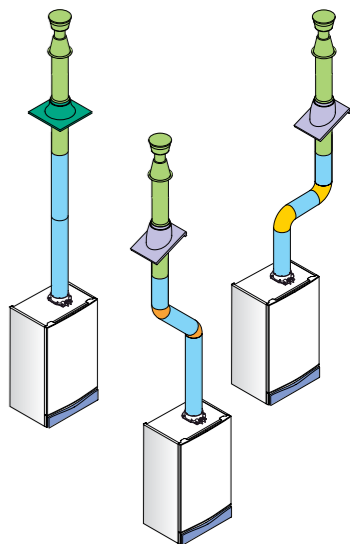
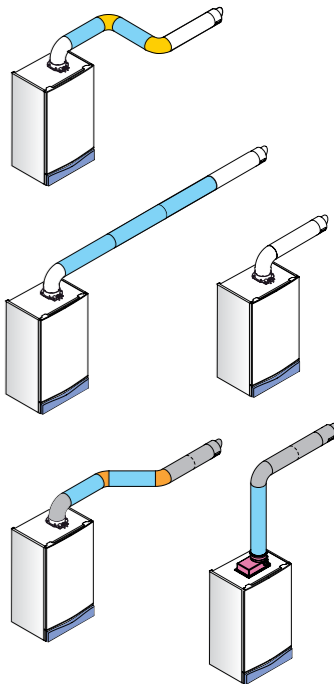
Item Description (MULTIFIT) Flue System A	Specification	KEY & OD Dimensions	Multifit Sales Code
Standard Horizontal Flue inc Elbow	685mm	60/100mm	5118489
Standard Horizontal Telescopic Flue inc Elbow	315-500mm Excluding Promax HE Store	60/100mm	5118069
Telescopic Internal Flue Kit	Excluding Promax HE Store	100mm	5119654
Flue Extension	1000mm	100mm	5111074
Flue Bend (Pair)	135 degree	100mm	5111085
Flue Bend	135 degree	100mm	5111076
Flue Bend	93 degree	100mm	5111075
Flue Wall Liner		100mm	5111067
Flue Terminal Deflector		60mm	5111068
Pipe Support	Painted white	100mm	5111080
Flue Vertical Adaptor (boiler)	Suprima HE Only	100mm	5111065

## Vertical Concentric Flues 60/100mm Flue System A

Item Description (MULTIFIT) Flue System A	Specification	Key & OD Dimensions	Multifit Sales Code
Vertical Flue Terminal		100mm	5118576
Vertical Flue Terminal	Suprima HE Only	125mm	5111078
Roof Cover Plate		125mm	246143
Flue Extension	1000mm	100mm	5111074
Flue Bend	93 degree	100mm	5111075
Flue Bend (Pair)	135 degree	100mm	5111085
Flue Bend	135 degree	100mm	5111076
Pipe Support	Painted white		5111080
Pitched Roof Flashing	25 / 50 degree	125mm	5122151
Flat Roof Flashing		125mm	246144
Flue Vertical Adaptor (boiler)	Suprima HE Only	100mm	5111065
Flue Vertical Adaptor (terminal)	Suprima HE Only	100/125mm	5111070

## Horizontal Concentric Flues 70/110mm Flue System B

Item Description (MULTIFIT) Flue System B	Specification	Key & OD Dimensions	Multifit Sales Code
Standard Horizontal Flue inc Elbow	850mm	110mm	236921
Horizontal Flue / Wall Terminal	850mm	110mm	243013BAX
Flue Extension	1000mm	110mm	241695
Flue Extension	500mm	110mm	241694
Flue Extension	250mm	110mm	241692
Flue Bend	90 degree	110mm	241687
Flue Bend (Pair)	135 degree	110mm	241689
Flue Terminal Deflector		70mm	248167
Vertical Flue Adaptor (Boiler)		110mm	5106888
Pipe Support	Painted White	110mm	243014BAX



## Vertical Concentric Flues 70/110mm Flue System B

Item Description (MULTIFIT) Flue System B	Specification	Key & OD Dimensions	Multifit Sales Code
Vertical Roof Terminal		70/110mm	242802
Flue Extension	1000mm	110mm	241695
Flue Extension	500mm	110mm	241694
Flue Extension	250mm	110mm	241692
Flue Bend	90 degree	110mm	241687
Flue Bend (Pair)	135 degree	110mm	241689
Roof Cover Plate			243131
Pipe Support	Painted White	110mm	243014BAX
Flat Roof Flashing		125mm	243016BAX
Pitched Roof Flashing	25 / 50 degree	125mm	243015
Vertical Flue Adaptor (Boiler)		110mm	5106888

## Horizontal Concentric Flues 80/125mm Flue System G

Item Description (MULTIFIT) Flue System G	Specification	Key & OD Dimensions	Multifit Sales Code
Horizontal Flue incl boiler & terminal adaptors		125mm	5118580
Flue Extension	1000mm	125mm	5118584
Flue Bend	91.5 degree	125mm	5118588
Flue Bend (pair)	135 degree	125mm	5118597
Pipe Support	For use with 125mm Flue Pipes	125mm	5118610

## Vertical Concentric Flues 80/125mm Flue System G

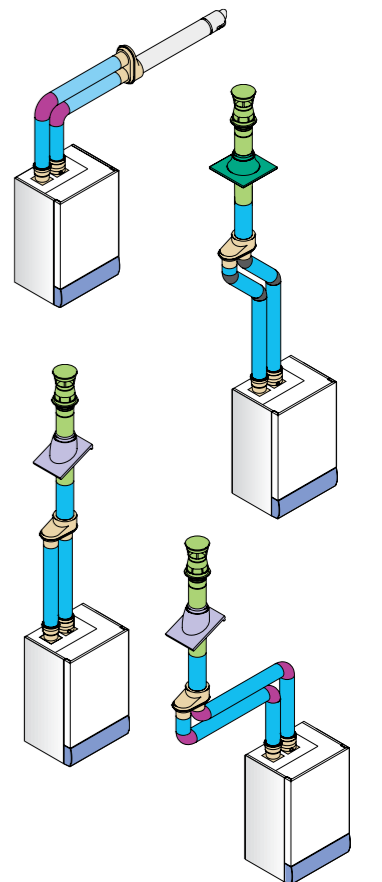
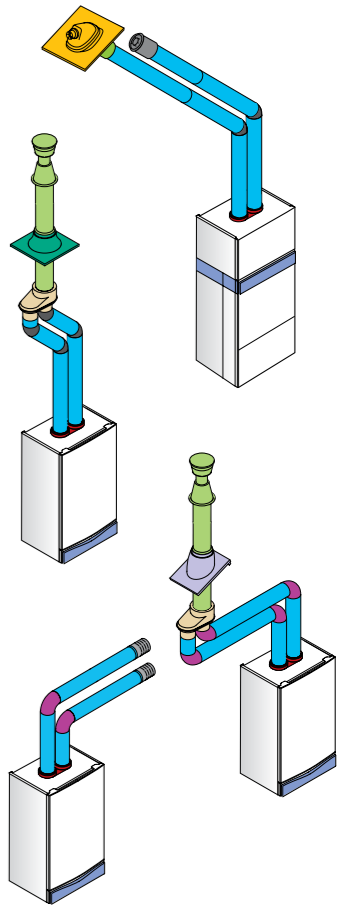
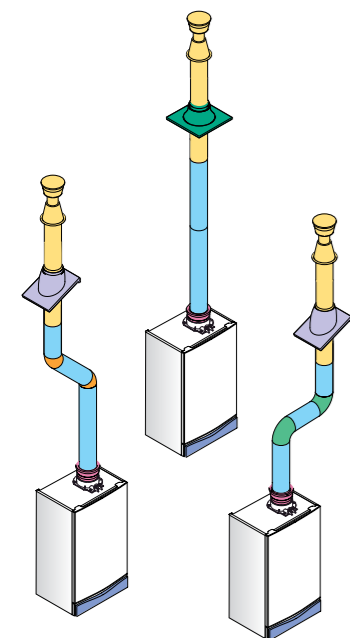
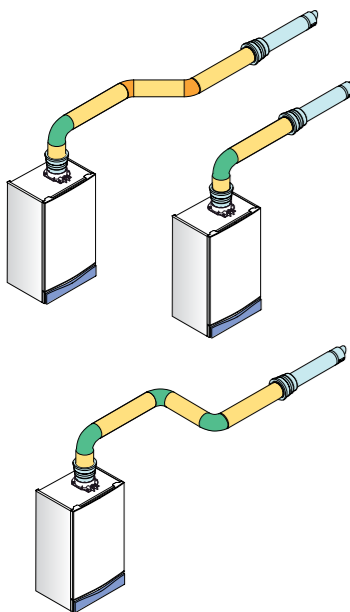
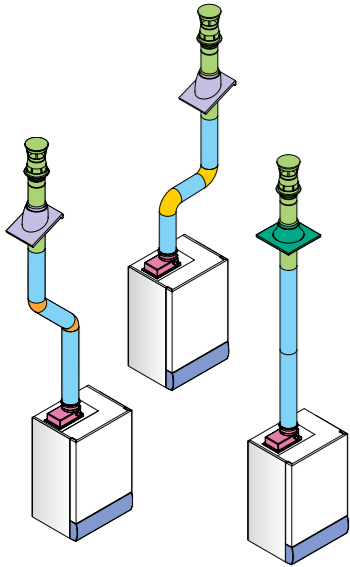
Item Description (MULTIFIT) Flue System G	Specification	Key & OD Dimensions	Multifit Sales Code
Vertical Flue Terminal		125mm	5111078
Flue Extension	1000mm	125mm	5118584
Flue Bend	91.5 degree	125mm	5118588
Flue Bend (Pair)	135 degree	125mm	5118597
Roof Cover Plate		125mm	246143
Flue Vertical Adaptor		100/125mm	5111070
Pitched Roof Flashing	25 / 50 degree	125mm	5122151
Flat Roof Flashing		125mm	246144
Pipe Support	For use with 125mm Flue Pipes	125mm	5118610

## Twin Pipe Flues 80/80mm Flue System N

Item Description (MULTIFIT) Flue System N	Specification	Key & OD Dimensions	Multifit Sales Code
Vertical Flue Terminal		125mm	5111078
Twin Pipe Extension (Pair inc Brackets)	1000mm	80mm	5111087
Twin Pipe Flue Bend (Pair)	90 degree	80mm	5111072
Twin Pipe Flue Horizontal Terminal Kit (Single)	Only Promax HE Store	80mm	5121791
Twin Pipe Flue Bend (2 Pair)	135 degree	80mm	5111086
Roof Cover Plate		125mm	246143
Twin Pipe Flue Horizontal Terminal Kit (Pair)		80mm	5120172
Twin Pipe Support (Pair)	Painted White	80mm	5111081
Twin to Concentric Adaptor 80/80 - 80/125		80/125mm	5111084
Pitched Roof Flashing	25 / 50 degree	125mm	5122151
Flat Roof Flashing		125mm	246144
Twin Pipe Flue Adaptor (Boiler)		80mm	720089801
Pitched Roof Terminal	25 / 45 degree - only Promax HE Store	60mm	5106164
Pitched Roof Terminal Adaptor Kit	Only Promax HE Store	60-80mm	5121792

## Twin Pipe Flues 80/80mm Flue System P

Item Description (MULTIFIT) Flue System P	Specification	Key & OD Dimensions	Multifit Sales Code
Horizontal Flue Terminal	850mm	110mm	243013BAX
Vertical Roof Terminal		70/110mm	242802
Twin Pipe Flue Extension	1000mm	80mm	246137
Twin Pipe Flue Extension	500mm	80mm	246136
Twin Pipe Flue Extension	250mm	80mm	246135
Twin Pipe Flue Bend (2 Pair)	135 degree	80mm	5121561
Twin Pipe Flue Bend (Pair)	90 degree	80mm	5121560
Twin Pipe Support (Pair)	Painted White	80mm	5111081
Pipe Support	Painted White	110mm	243014BAX
Pitched Roof Flashing	25 / 50 degree	125mm	243015
Flat Roof Flashing		125mm	243016BAX
Twin Pipe Flue Adaptor Set		80/80mm	242757
Flue Terminal Deflector			248167
Roof Cover Plate			243131





## Plume Displacement 60/100mm Concentric to 60mm PDK - Flue System K

Item Description (MULTIFIT) Flue System K	Specification	Key & OD Dimensions	Multifit Sales Code
Plume Displacement Kit inc Elbow & clips		100mm	5118638
Plume Displacement Kit Extension inc clip	1000mm	60mm	5121368
Plume Displacement Kit Bend	93 degree	60mm	5121369
Plume Displacement Kit Bend (Pair)	135 degree	60mm	5121370

## Plume Displacement 70/100mm Concentric to 70mm PDK - Flue System L

Item Description (MULTIFIT) Flue System L	Specification	Key & OD Dimensions	Multifit Sales Code
Plume Displacement Kit inc Elbow & clips		110mm	5121371
Plume Displacement Kit Extension inc clip	1000mm	70mm	5121372
Plume Displacement Kit Bend	93 degree	70mm	5121373
Plume Displacement Kit Bend (Pair)	135 degree	70mm	5121374

The Multifit GasSaver is an innovative product that sits neatly between a boiler and flue and recycles the heat from the flue gases which would normally be expelled into the atmosphere and wasted.

The recovered heat is then recycled to pre-heat water coming into the boiler from the cold mains supply, significantly reducing the amount of gas required by the boiler to heat the water.

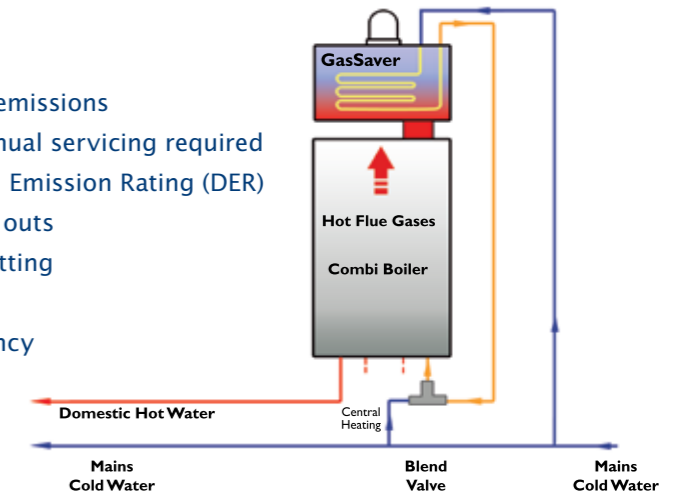
It has been proven by independent testing to achieve domestic hot water savings of up to 7% and can reduce the gas used to heat hot water by up to 37% annually\*.

**The Multifit GasSaver is compatible with the Potterton Promax Combi HE Plus A.**

\*Test conducted by independent scientific test house, TNO. Calculation based on an average household's consumption of 100 litres of hot water per day.

### Key features and benefits

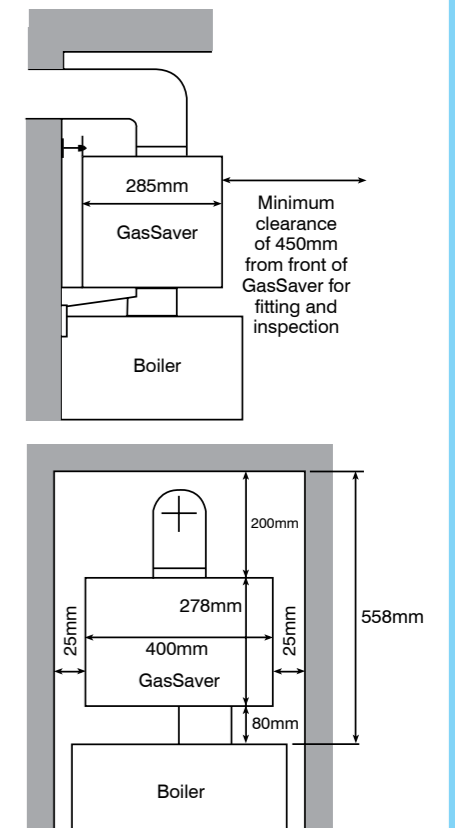
- Low Carbon solution - helps to reduce carbon emissions
- Maintenance free - no moving parts and no annual servicing required
- SAP Appendix Q eligible - reduces the Dwelling Emission Rating (DER)
- No controls or settings – reduces nuisance call outs
- Simple to install – designed for easy and fast fitting
- Reduces nuisance plumbing - utilises flue gas latent heat to improve DHW operational efficiency
- Blending valve supplied as standard – maximising recovered energy
- WRAS Approved



### Technical Information

<b>Multifit GasSaver</b>	
Sales Code	720056901
<b>DHW Circuit Pressures</b>	
Max inlet	5 bar
Min operating	0.2 bar
<b>DHW Circuit Flow Rates</b>	
Max flow rate	18 l/min
Min flow rate	2.5 l/min
<b>Connections</b>	
Cold water mains inlet	15mm (Stainless steel)
DHW flow	15mm (Stainless steel)
<b>Weights</b>	
Packaged boiler carton installation lift weight	15.6 kg
Weight when full	24 kg
<b>Blending Valve</b>	
Connections	15mm
Setting temperature	30°C
<b>General</b>	
DHW H/Exch	Stainless steel
Store & flue connection	Stainless steel
Casing	White paint steel
Condensate store capacity	5.75 litres
H/Exchange coil capacity	2.7 litres
<b>Flues</b>	
Maximum flue length* (60/100mm)	24kW-5m
	28kW-5m
	33kW-3m
	40kW-1m
<b>Accessories</b>	
Expansion valve kit - Sales Code	720055901
Stand off kit - Sales Code**	720079701

### Dimensions and clearances



\*Further flue lengths or bends may be used, but a loss in output of 1% is incurred for every additional metre \*\* Stand off kit for use with a boiler stand off bracket, to allow routing of pipework behind



### 1. Electro-mechanical Timer

An electro-mechanical 24 hour timer offering selection of constantly on, constantly off or timed operation, with switching possible at 15 minute intervals using tappets set around an analogue clock for the utmost simplicity. Standard Factory-Fitted



### 2. Electronic Timer

An electronic 7 day timer with a digital LCD display, offering selection of multiple on/off switching operations over a 7 day period for maximum versatility. Also features an advanced switch programme. Optional



### 3. Wireless Timer Room Thermostat

A wireless programmable room thermostat which neatly minimizes problems of compliance with Building Regulations Part L (Energy Conservation) & Part P (Electrical Safety). As simple to fit as it is to use. Optional



### 4. Wireless Digital Timer Room Thermostat

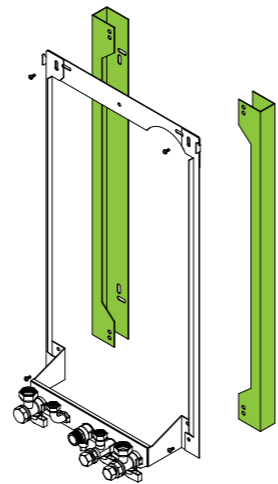
A 7 day programmable wall mounted room thermostat that incorporates a large blue back lit display and a simple mode selection knob for ease of use. Optional



### 5. Multifit GasSaver

A flue gas recovery device designed to sit between the boiler and flue. The GasSaver recycles the heat from the flue gases which would normally be expelled into the atmosphere to preheat DHW. Optional

Item Description (MULTIFIT)	Specification	Key & OD Dimensions	Multifit Sales Code
Stand Off Kit	Combi and System Boilers only	40mm	5117035
Integral 24 hr Electro-mechanical Timer	Combi Boilers only	Image 1	247206
Integral 7 Day Electronic Timer	Combi Boilers only	Image 2	247207
Wireless Electro Mechanical Timer Room Thermostat	Combi Boilers only	Image 3	5117392
Wireless Digital Timer Room Thermostat	Combi Boilers only	Image 4	720030601
GasSaver	Promax Combi only	Image 5	720056901
Integral Twin Channel Timer	Promax FSB 30 HE only		5117696
Filling Loop Kit	Except Promax FSB 30 HE		248221
Expansion Valve Kit	GasSaver only		720055901
Stand Off kit	GasSaver only		720079701



# Service & Training

## We are on your side

**heateam** is Potterton's own service division. With **heateam** you can reassure your customers that they are in good hands.

- **heateam** offers priority technical support to installers registered with the Gas Safe Register (formerly CORGI) via our trade technical advice line
- **heateam** only supports Baxi group appliances, so we have developed an expertise in our own heating products
- **heateam** vans are fully stocked with Potterton spare parts, so we can repair our appliances on the first visit 95% of the time
- **heateam** only uses official Potterton spare parts – quality and safety are always our prime concern
- **heateam** employs over 250 engineers providing nationwide coverage
- **heateam's** service centre is open 7 days per week, 363 days per year
- **heateam** has demonstrated the best performance in the following areas:
  1. The best call handling time for service\*
  2. The best service visit response time\*
  3. The best call handling time for technical advice\*

\*These are the results of independently commissioned research that recorded average response times. **heateam** was measured against 6 major manufacturers.

### heateam Customer Service Contact Details

Potterton Customer Services: **0844 871 1560**

*Please be aware that calls may be recorded for training purposes and to help us improve our service. Data collected during calls will be held by Baxi Heating UK and may be shared with carefully selected partner companies who help us provide services to our customers.*

**heateam on-line aftersales information**  
 For more information about our range of aftersales services, please visit:  
**www.heateam.co.uk**

The service division of Baxi Group  
**heateam**



## Expert training

Potterton also gives you access to the very latest training on all Potterton products, as well as general training in key areas such as energy efficiency, electronics, combi boilers and more. Training can be delivered at one of our dedicated training centres in Belfast, Dartford, Eastleigh, Glasgow, Romford, Stockton on Tees, Warrington or Warwick.

To book your place on a Potterton training course call:

**0845 600 7402**



Benchmark places responsibilities on both manufacturers and installers.

The purpose is to ensure that customers are provided with the correct equipment for their needs, that it is installed, commissioned and serviced in accordance with the manufacturer's instructions by competent persons and that it meets the requirements of the appropriate Building Regulations. The Benchmark Checklist can be used to demonstrate compliance with Building Regulations and should be provided to the customer for future reference.

Installers are required to carry out installation, commissioning and servicing work in accordance with the Benchmark Code of Practice which is available from the Heating and Hot water Industry Council who manage and promote the Scheme.

Visit **www.centralheating.co.uk** for more information.



## **Contacts:**

---

General Enquiries Tel: 0844 8711 560

Please note - calls to the contact centre may be recorded or monitored.

## **Potterton**

---

A Baxi Group Company.

Brooks House, Coventry Road, Warwick CV34 4LL.

Website: [www.potterton.co.uk](http://www.potterton.co.uk)



This Brochure is printed on paper sourced from well managed forests and other controlled sources. This Brochure is printed using vegetable based inks. Please recycle this Brochure when you have finished with it.

# POTTERTON

Potterton policy is one of continual improvement and development. The right to change specification and appearance without prior notice is reserved. The reproduction of colours is as accurate as photographic and printing processes allow. The consumer's statutory rights are not affected. e&oe