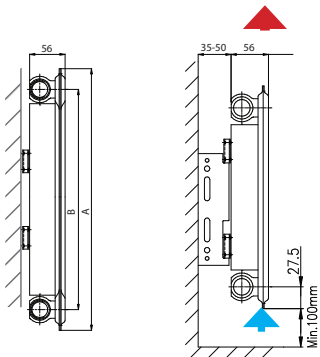


Technical Details Single Premium



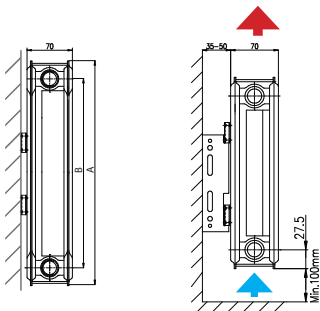
Single Premium

Nominal Size mm A	Centre Distance mm B	Width mm C	Wall to Centre mm D
300	245	56	40 or 55
400	345	56	40 or 55
500	445	56	40 or 55
600	545	56	40 or 55
750	695	56	40 or 55
900	845	56	40 or 55

Double Premium

Nominal Size mm A	Centre Distance mm B	Width mm C	Wall to Centre mm D
300	245	70	65 or 80
400	345	70	65 or 80
500	445	70	65 or 80
600	545	70	65 or 80
750	695	70	65 or 80
900	845	70	65 or 80

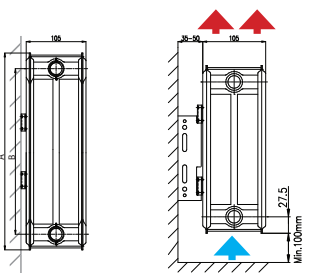
Double Premium



Double Deluxe

Nominal Size mm A	Centre Distance mm B	Width mm C	Wall to Centre mm D
300	245	105	82.5 or 97.5
400	345	105	82.5 or 97.5
500	445	105	82.5 or 97.5
600	545	105	82.5 or 97.5
750	695	105	82.5 or 97.5
900	845	105	82.5 or 97.5

Double Deluxe



Installation

- For maximum efficiency, radiators should be fixed at not less than 100mm (4") from finished floor level.
- Pipe positioning guide for manual valve allow 35mm to centre of pipe. For TRV valve allow 45mm to centre of pipe.
- To prevent damage to radiator it is strongly recommended during installation to leave protective packaging on radiator by simply removing lug protectors and pre cut tapping connection.
- Installation friendly fixings. 4 or 6 fixings lugs on rear, incl. kits consisting of wall brackets, plastic bracket inserts, blanking and airvent plugs with rotatable outlet.

Sizes indicated may vary by + or - 2mm.

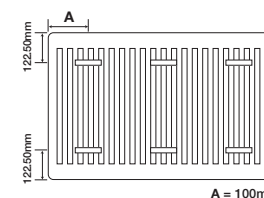
Water Treatment

It is strongly recommended on completion of the installation the system should be properly flushed and filled in accordance with the British Standard Code of Practice for the Treatment of Water in Domestic Hot Water Central Heating Systems BS 7593.

Corrosion Inhibitor

It is highly recommended a corrosion inhibitor is used on new systems and replacement installations; failure to follow this recommendation will invalidate the manufacturing warranty

Bracket Details



Revive Compact Radiators

- High outputs, maximum efficiency
- EN442 tested and certified
- High quality paint finish – white enamel (RAL 9016)
- Wide range – 170 sizes
- Factory fitted top grilles and side panels
- Tested to 13 BAR
- 10 year guarantee

Single Premium



Single Convector

Length (mm)		Height (mm)				
		300	400	500	600	750
Outputs shown in Watt and BTU are tested to EN 442 and Delta T 50 C						
400	Output Watts	200	257	312	363	411
	Output BTU	682	877	1065	1239	1402
	Stock Code	S304R	S404R	S504R	S604R	S704R
500	Output Watts	250	322	390	453	512
	Output BTU	853	1099	1329	1546	1747
	Stock Code	S305R	S405R	S505R	S605R	S705R
600	Output Watts	299	387	468	543	616
	Output BTU	1020	1320	1597	1853	2102
	Stock Code	S306R	S406R	S506R	S606R	S706R
700	Output Watts		451	545	635	
	Output BTU		1539	1861	2167	
	Stock Code		S407R	S507R	S607R	
800	Output Watts	350	516	622	726	823
	Output BTU	1194	1761	2122	2477	2808
	Stock Code	S308R	S408R	S508R	S608R	S708R
900	Output Watts		580	700	818	
	Output BTU		1979	2388	2791	
	Stock Code		S409R	S509R	S609R	
1000	Output Watts	500	645	779	908	1028
	Output BTU	1706	2201	2658	3098	3508
	Stock Code	S310R	S410R	S510R	S610R	S710R
1100	Output Watts		710	855	1000	
	Output BTU		2423	2917	3412	
	Stock Code		S411R	S511R	S611R	
1200	Output Watts	600	772	934	1090	1234
	Output BTU	2047	2634	3187	3719	4210
	Stock Code	S312R	S412R	S512R	S612R	S712R
1400	Output Watts	699	904	1168	1270	1440
	Output BTU	2385	3084	3985	4333	4913
	Stock Code	S314R	S414R	S514R	S614R	S714R
1600	Output Watts	797	1033	1248	1454	1644
	Output BTU	2719	3525	4258	4961	5609
	Stock Code	S316R	S416R	S516R	S616R	S716R
1800	Output Watts		1160	1400	1630	1850
	Output BTU		3958	4777	5562	6312
	Stock Code		S418R	S518R	S618R	S718R
2000	Output Watts	998	1290	1560	1818	
	Output BTU	3405	4401	5323	6203	
	Stock Code	S320R	S420R	S520R	S620R	
2200	Output Watts		1420	1712	1990	
	Output BTU		4845	5841	6790	
	Stock Code		S422R	S522R	S622R	

The outputs quoted in this price list are based on mean water temperature in the radiator of 70°C and a room temperature of 20°C. (Delta T 50°C).

Double Premium



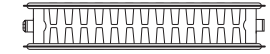
Double Panel Single Convector

Length (mm)		Height (mm)			
		400	500	600	750
Outputs shown in Watt and BTU are tested to EN 442 and Delta T 50 C					
400	Output Watts	394	470	540	620
	Output BTU	1344	1604	1842	2115
	Stock Code	P404R	P504R	P604R	P704R
500	Output Watts	493	587	677	777
	Output BTU	1682	2003	2310	2651
	Stock Code	P405R	P505R	P605R	P705R
600	Output Watts	592	704	812	930
	Output BTU	2020	2402	2771	3173
	Stock Code	P406R	P506R	P606R	P706R
700	Output Watts	690	822	945	1083
	Output BTU	2354	2805	3224	3695
	Stock Code	P407R	P507R	P607R	P707R
800	Output Watts	788	942	1083	1243
	Output BTU	2689	3214	3695	4241
	Stock Code	P408R	P508R	P608R	P708R
900	Output Watts	884	1061	1218	1395
	Output BTU	3016	3620	4156	4760
	Stock Code	P409R	P509R	P609R	P709R
1000	Output Watts	986	1175	1354	1552
	Output BTU	3364	4009	4620	5295
	Stock Code	P410R	P510R	P610R	P710R
1100	Output Watts	1084	1293	1488	
	Output BTU	3699	4412	5077	
	Stock Code	P411R	P511R	P611R	
1200	Output Watts	1180	1413	1623	
	Output BTU	4026	4821	5538	
	Stock Code	P412R	P512R	P612R	
1400	Output Watts	1382	1647	1895	
	Output BTU	4715	5621	6466	
	Stock Code	P414R	P514R	P614R	
1600	Output Watts	1577	1881	2165	
	Output BTU	5381	6418	7387	
	Stock Code	P416R	P516R	P616R	
1800	Output Watts	1774	2120	2433	
	Output BTU	6053	7233	8301	
	Stock Code	P418R	P518R	P618R	
2000	Output Watts	1969	2355	2705	
	Output BTU	6718	8035	9229	
	Stock Code	P420R	P520R	P620R	
2200	Output Watts	2165	2591	2970	
	Output BTU	7387	8840	10134	
	Stock Code	P422R	P522R	P622R	

The outputs quoted in this price list are based on mean water temperature in the radiator of 70°C and a room temperature of 20°C. (Delta T 50°C).

Revive
www.reviveradiators.co.uk

Double Deluxe



Double Convector

Length (mm)		Height (mm)				
		300	400	500	600	750
Outputs shown in Watt and BTU are tested to EN 442 and Delta T 50 C						
400	Output Watts	400	510	608	699	793
	Output BTU	1365	1740	2074	2385	2706
	Stock Code	D304R	D404R	D504R	D604R	D704R
500	Output Watts		637	762	878	990
	Output BTU		2173	2600	2996	3378
	Stock Code		D405R	D505R	D605R	D705R
600	Output Watts	602	765	914	1053	1190
	Output BTU	2054	2610	3119	3593	4060
	Stock Code	D306R	D406R	D506R	D606R	D706R
700	Output Watts		888	1068	1228	1389
	Output BTU		3030	3644	4190	4739
	Stock Code		D407R	D507R	D607R	D707R
800	Output Watts	801	1019	1215	1404	1585
	Output BTU	2733	3477	4146	4790	5408
	Stock Code	D308R	D408R	D508R	D608R	D708R
900	Output Watts		1142	1366	1576	1783
	Output BTU		3897	4661	5377	6084
	Stock Code		D409R	D509R	D609R	D709R
1000	Output Watts	1001	1275	1521	1750	1980
	Output BTU	3415	4350	5190	5971	6756
	Stock Code	D310R	D410R	D510R	D610R	D710R
1100	Output Watts		1399	1674	1930	2182
	Output BTU		4773	5712	6585	7445
	Stock Code		D411R	D511R	D611R	D711R
1200	Output Watts	1205	1530	1830	2105	2380
	Output BTU	4111	5220	6244	7182	8121
	Stock Code	D312R	D412R	D512R	D612R	D712R
1400	Output Watts	1402	1783	2280	2455	2774
	Output BTU	4784	6084	7779	8376	9465
	Stock Code	D314R	D414R	D514R	D614R	D714R
1600	Output Watts	1606	2035	2435	2800	3175
	Output BTU	5480	6943	8308	9554	10833
	Stock Code	D316R	D416R	D516R	D616R	D716R
1800	Output Watts		2290	2735	3155	
	Output BTU		7813	9332	10765	
	Stock Code		D418R	D518R	D618R	
2000	Output Watts	2003	2544	3044	3507	
	Output BTU	6834	8680	10386	11966	
	Stock Code	D320R	D420R	D520R	D620R	
2200	Output Watts		2799	3352	3856	
	Output BTU		9550	11437	13157	
	Stock Code		D422R	D522R	D622R	

The outputs quoted in this price list are based on mean water temperature in the radiator of 70°C and a room temperature of 20°C. (Delta T 50°C).