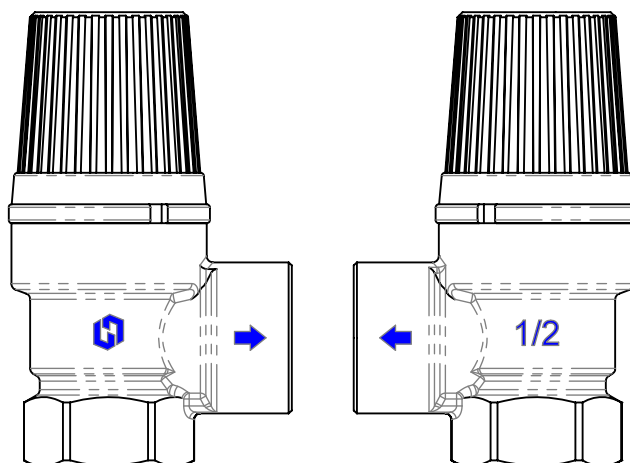


- Performance:
1. Temperature range: 2-120 °C
  2. Max opening pressure: Pnr + 10%
  3. Min closing differential: Pnr - 25%
  4. Medium: air, water
  5. Pressure settings: 3 bar
  6. PED category: IV



No.	Name	Material	QTY.
1	Body	CW617N	1
2	Diaphragm	EPDM with WRAS approved	1
3	Gasket	POM	1
4	Pull rod	Brass	1
5	Gasket	POM	1
6	Spring	Stainless steel	1
7	Gasket	Brass	1
8	Bonnet	PA6+G30	1
9	Screw	Brass	1
10	Control knob	PA6+G30 (RAL5003)	1
11	Brass disk	Brass	1
12	Hex-nut	Steel with Dacromet plated	1
13	Nameplated	ABS (RAL5003)	1

EDITION	TOLERANCE OF DIMENSIONS AND GEOMETRY UNLESS OTHERWISE SPECIFIED				PRODUCT TYPE: <b>4005 (3bar)</b>	DWG. NO. <b>24005048XXX</b>	EDITION <b>II</b>		
	DIMENSION	GB/T1804-m	ANGLE	PLUMB				CONCEN	TRICITY
Customer drawing number	≤6	±0.1	±1°	±0.1	Ø0.3	PROJECTION MEANS	PRIMO ANGLE OF VIEW	DRAWING UNIT	mm
	>6≤30	±0.2				DESIGN SIGN	G. W	N. W.	SCALE
	>30≤120	±0.3						114g	1:1
	>120≤400	±0.5						PAGE OF	
	DESIGN	Radman	2015.07.03	TITLE:	<b>Safety valve Assembly drawing 1/2" F x 1/2" F</b>				
	CHECKED	XGW	2015.10.14	MATERIAL:	<b>CW617N</b>				
	PROCESSOR	LWF	2015.10.14	<b>YORHE 永和股份</b> YORHE FLUID INTELLIGENT CONTROL CO., LTD					
	STANDARDIZATION	YSY	2015.10.14						
	APPROVED	YSY	2015.10.14						