

Eres heating expansion vessels

Introduction

Eres expansion vessels are manufactured to meet the requirements of Pressure Equipment Directive 2014/68/EU, and BS EN 13831:2007 'Closed expansion vessels with built in diaphragm for installation in water'.

Design

The vessels are fabricated by welding the various sections together which results in a very reliable structure suitable for internal pressures up to 6 bar.

Epoxy coated and available in red.

Non-replaceable diaphragm held securely in place by a flange.

The 35 to 300 litre vessels have a top water connection and the 500 to 1000 litre vessels have a bottom connection.

Suitable for temperatures up to 100°C, resistant to ethylene or propylene glycol mixtures and has low gas permeability.

In the event that the diaphragm within the expansion vessel could be subjected to continuous temperatures above 100°C, the vessel must be protected by an additional vessel (VDI 6002 directive).

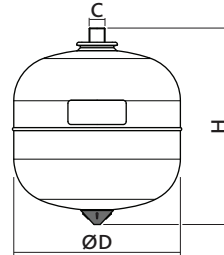
Technical Data

Max. working pressure:	
5 to 25 litres	5 bar
35 to 50 litres	4 bar
80 to 1000 litres	6 bar
Operating temperature range:	-10 to 100°C
Factory air pre-charge pressure:	1.5 bar

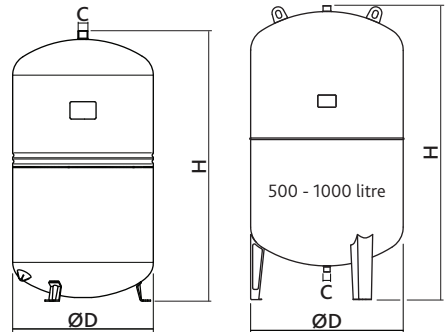
Materials

Shell:	carbon steel
Connections:	carbon steel
Diaphragm elastomer:	synthetic
Coating:	epoxy powder

Dimensions



Prod Code	Capacity	ØD	H	C
ER-08LTVESS	8 litres	200	335	G $\frac{3}{4}$ B
ER-12LTVESS	12	270	320	G $\frac{3}{4}$ B
ER-18LTVESS	18	270	415	G $\frac{3}{4}$ B
ER-24LTVESS	24	320	440	G $\frac{3}{4}$ B



Prod Code	Capacity	ØD	H	C
ER-35LTVESS	35 litres	360	475	G $\frac{3}{4}$ B
ER-50LTVESS	50	360	600	G $\frac{3}{4}$ B
ER-80LTVESS	80	485	570	G1B
ER-100LTVESS	100	485	650	G1B
ER-140LTVESS	140	485	935	G1B
ER-200LTVESS	200	600	860	G1B
ER-300LTVESS	300	600	1,245	G1B
ER-500LTVESS	500	750	1,445	G1B
ER-1000LTVESS	1000	750	2,555	G1B

Altecnic Ltd Mustang Drive, Stafford, Staffordshire ST16 1GW

T: +44 (0)1785 218200 E: sales@altecnic.co.uk

Registered in England No: 02095101

altecnic.co.uk

IOM 129 23-02-22

E & O.E

© Altecnic Limited. 2022

ALTECNIC™

altecnic