

E.SYTWIN



E.SYTWIN – BOOSTER SET



Pump set made up of two pumps whose deliveries all flow into a common manifold (pumps in parallel).

Advantages:

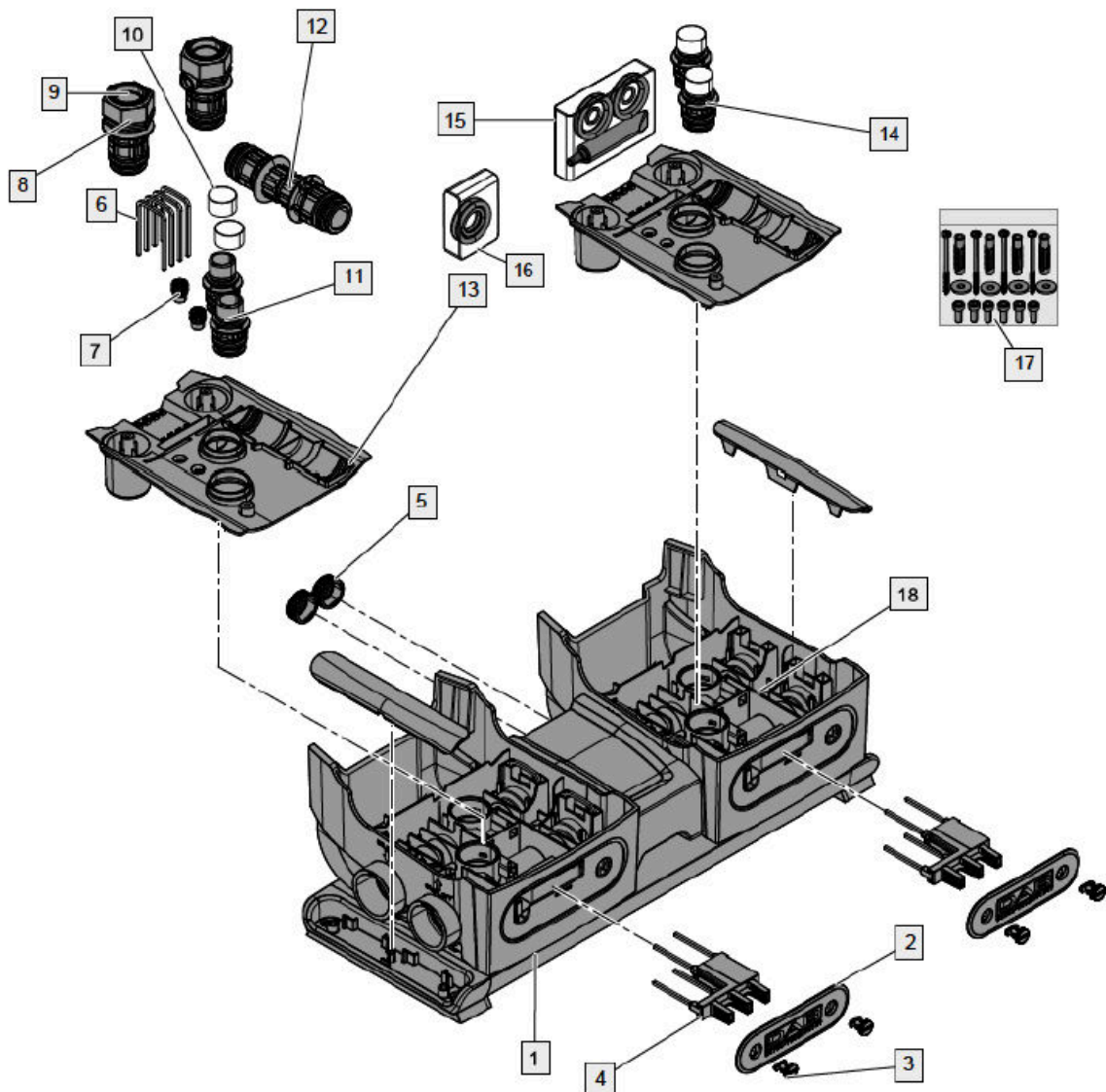
- Increasing hydraulic performance in comparison with a single device
- Ensuring continuity of operation in the event of a device developing a fault
- Sharing out the maximum power

Wireless communication:

Modules communicate each other without any cable, just using the wireless connection unit placed on the inverter.



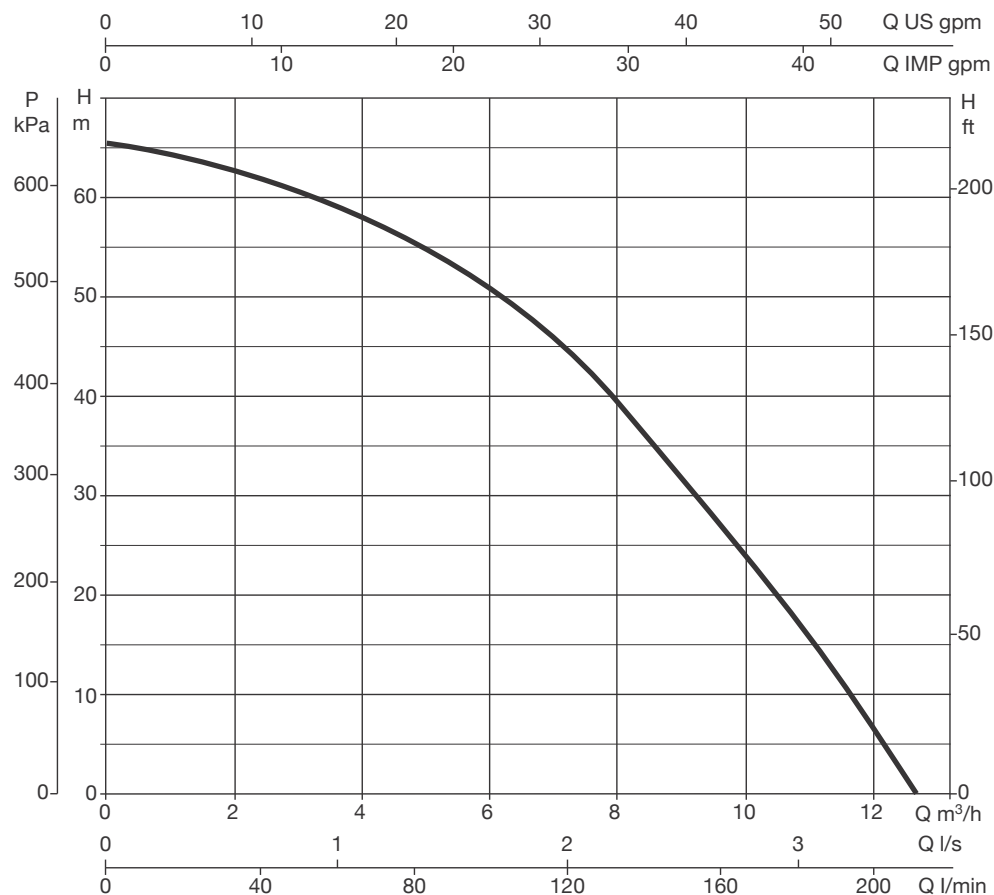
E.SYTWIN – BOOSTER SET



18	2	FCT MANIFOLD
17	1	KIT SCREWS
16	1	KIT O-RING TWIN
15	1	KIT O-RING FCT
14	4	FCT INTERNAL FITTING
13	2	FCT COVER
12	2	CONNECTION CUP FITTING FCT
11	4	O-RING 28.17X3.53 FKM70 GREEN
10	4	PLUG FOR PIPE 1
Index	Q.ty	Description

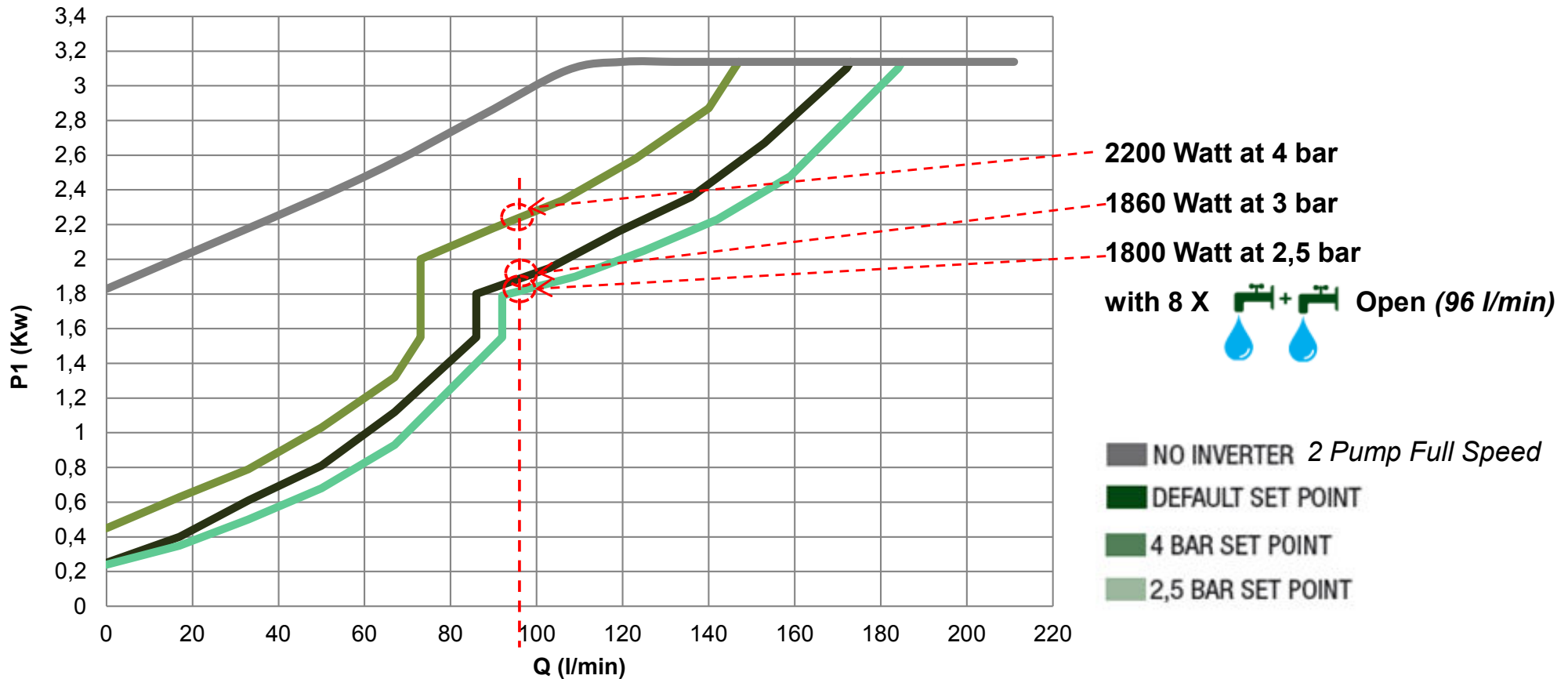
9	2	THREAD GUARD PLUG D.1 1/4
8	2	FCT EXTERNAL FITTING
7	2	PLUG 3/8 BLACK CROSS -PA66+30GF
6	8	CLIP - SQUARE SECT.4 - SPAN 41,5
5	2	CAP 1" BLACK WRAS
4	2	FCT RETAINER DEVICE
3	4	FCT LOGO PLATE STOPPER
2	2	FCT LOGO PLATE
1	1	BASE AND SUPPORT BASE TWIN E.SYBOX
Index	Q.ty	Description

E.SYTWIN – PERFORMANCE



**Performance curves of the complete e.sytwin unit including all the connections
(for vessel, heat sink, inverter controllers, check valve, flow and pressure sensors)**

E.SYTWIN – ENERGY SAVING



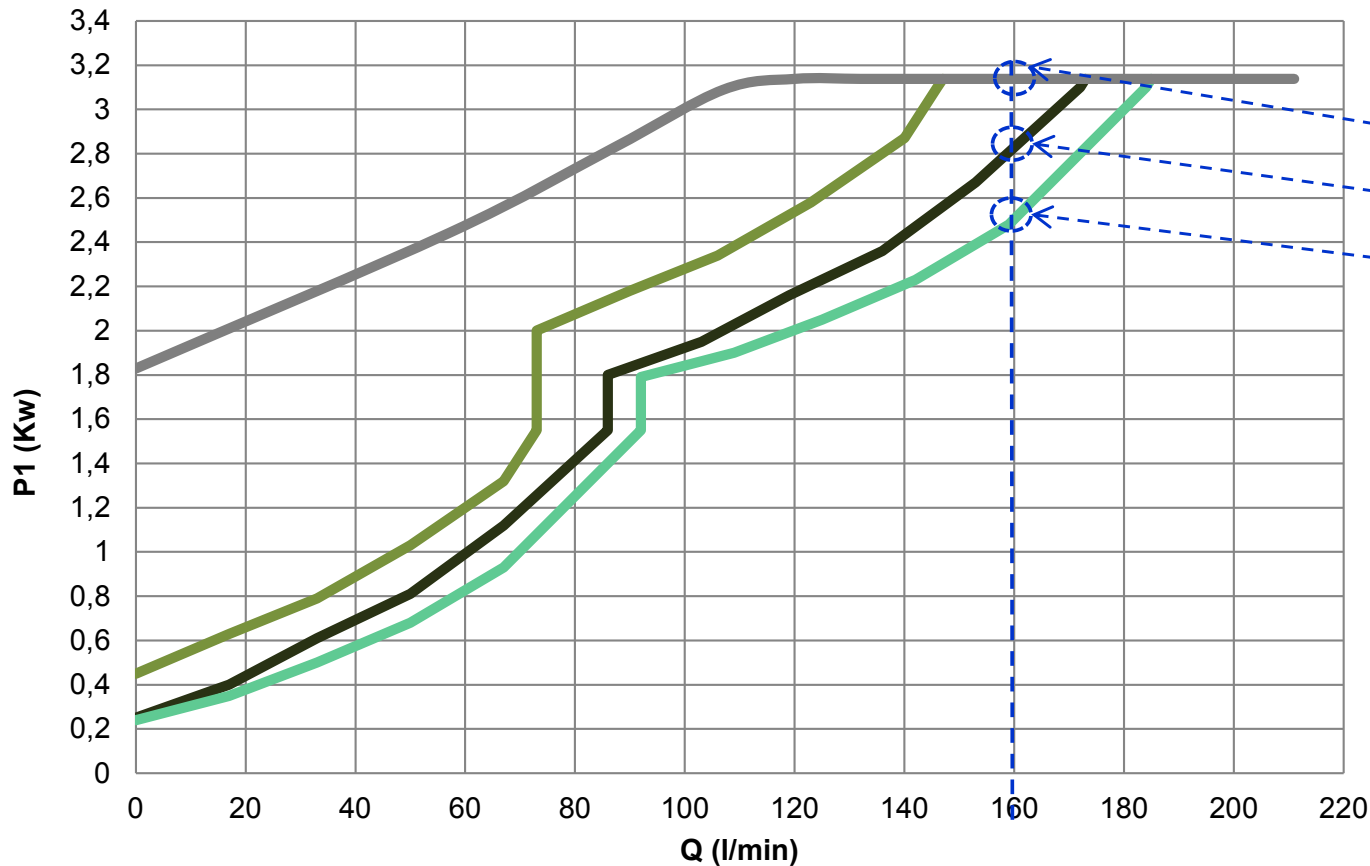
Thanks to the Inverter technology, e.sybox draws only the necessary energy according to water requirements, thereby avoiding wastes and allowing considerable economic savings.



ENERGY SAVING AREA



E.SYTWIN – ENERGY SAVING



3190 Watt at 4 bar
 2800 Watt at 3 bar
 2440 Watt at 2,5 bar



Open (160 l/min)

- NO INVERTER 2 Pump Full Speed
- DEFAULT SET POINT
- 4 BAR SET POINT
- 2,5 BAR SET POINT

Thanks to the Inverter technology, e.sybox draws only the necessary energy according to water requirements, thereby avoiding wastes and allowing considerable economic savings.

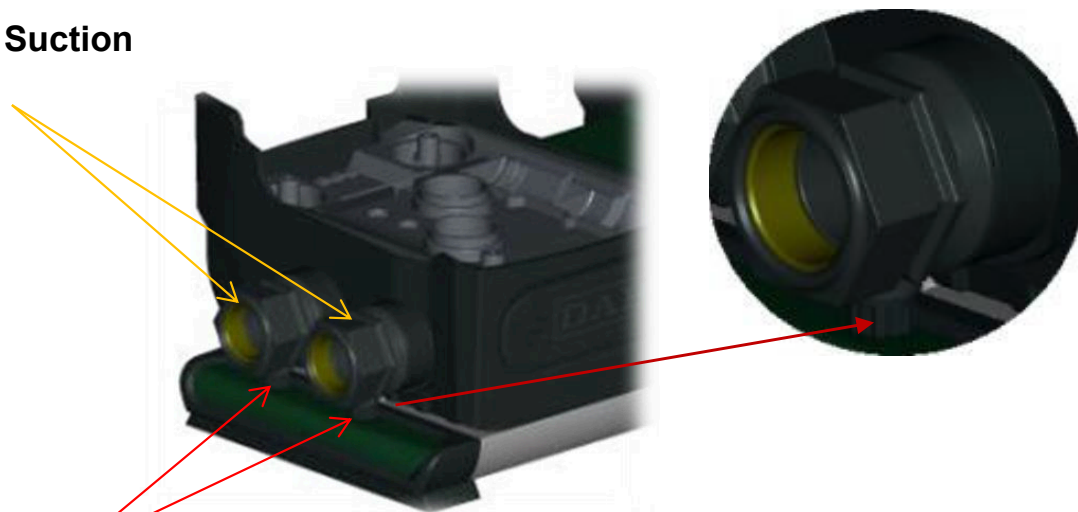


ENERGY SAVING AREA

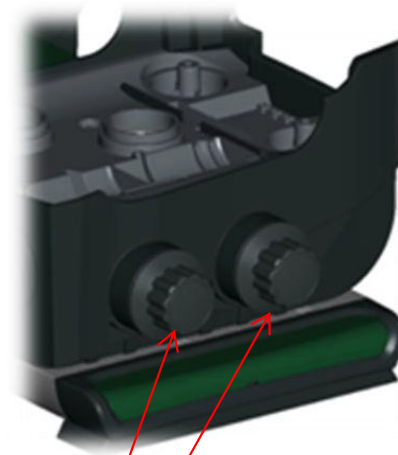
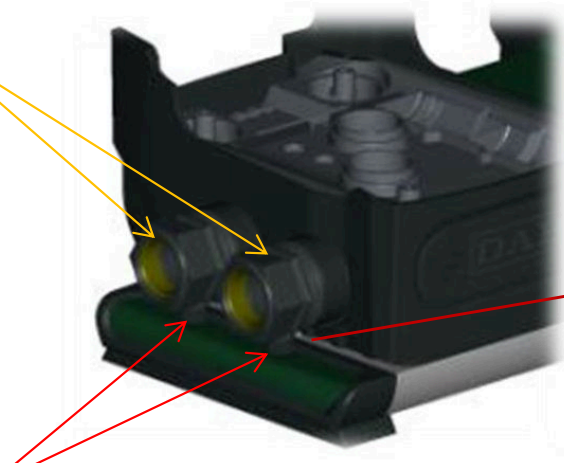


E.SYTWIN – FEATURES

Delivery & Suction Unions

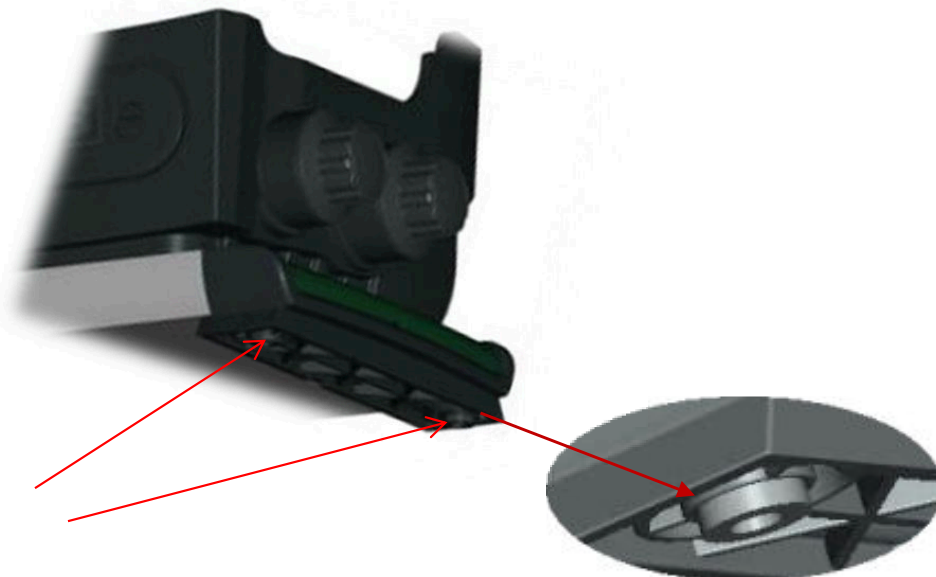


Caps to discharge the system in case of maintenance/removal of the e.sybox



Side caps

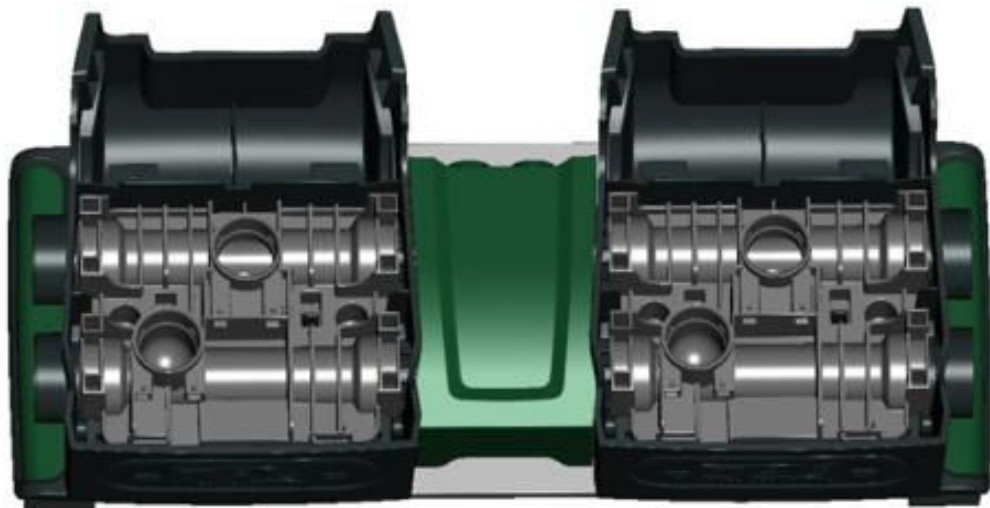
Anti Vibration Feet



Ground Fixing System



E.SYTWIN – CONNECTION FEATURES



4 Clammers: to fasten the union + side plugs



4 Clammers: To fix the central junction.



2 upper covers



4 adapters: to connect 2 e.sybox



2 suction and delivery union



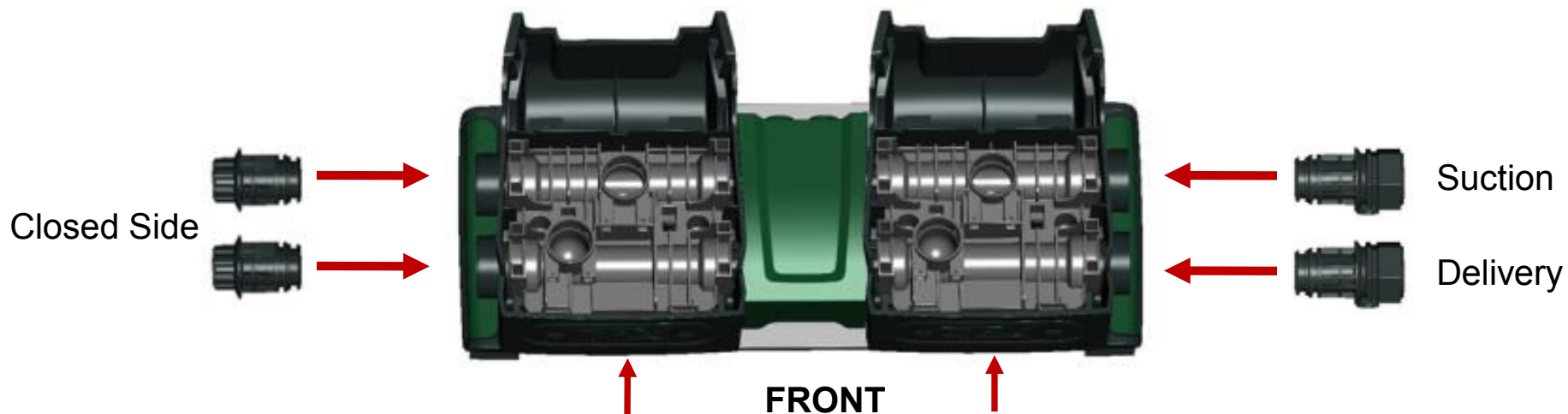
2 side plugs



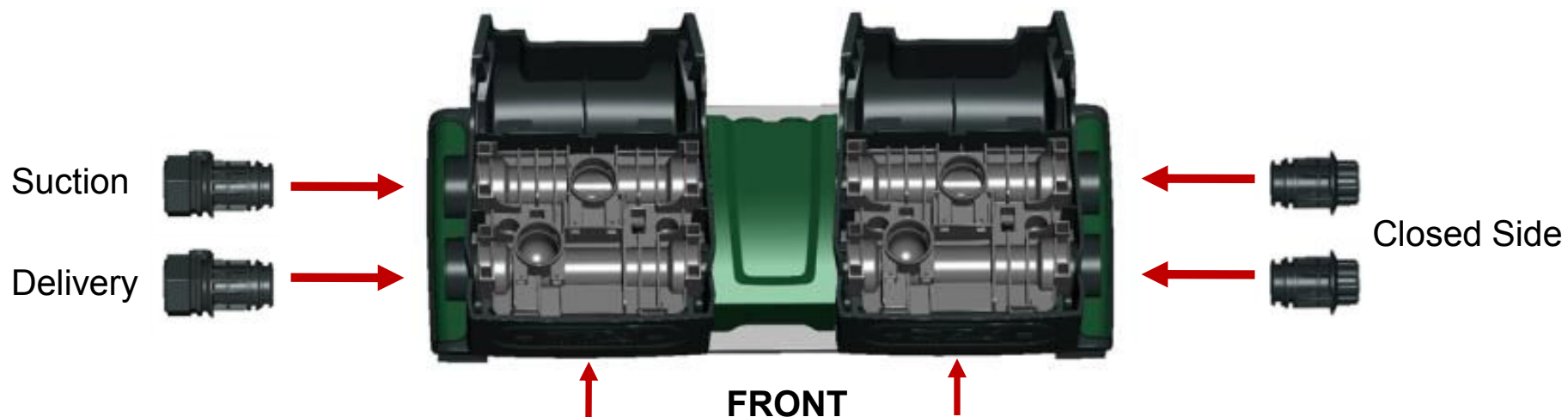
2 maintenance plugs: see next slide

E.SYTWIN – SUCTION AND DELIVERY ON ONE SIDE

Right Suction and Delivery

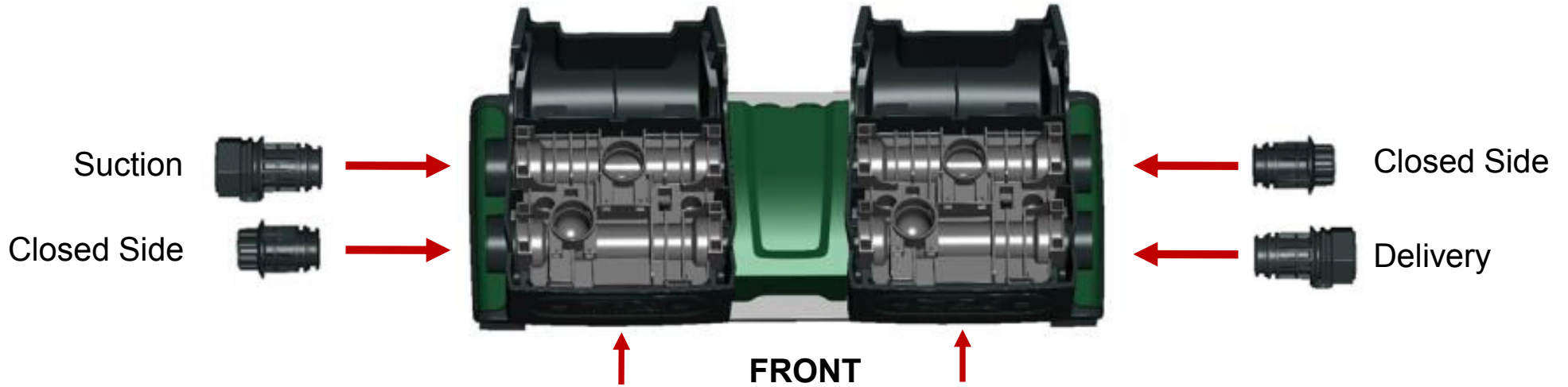


Left Suction and Delivery

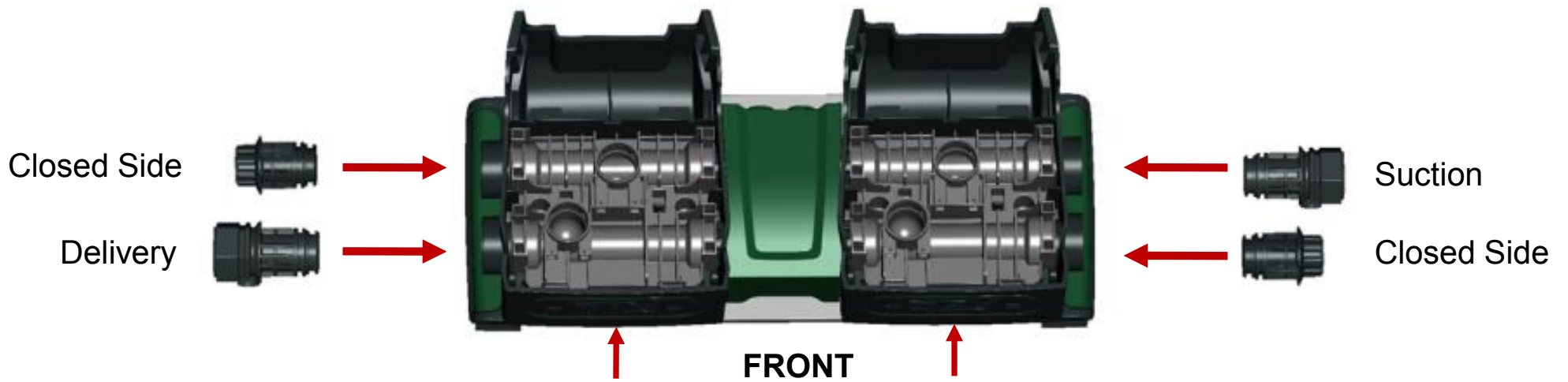


E.SYTWIN – SUCTION AND DELIVERY IN LINE

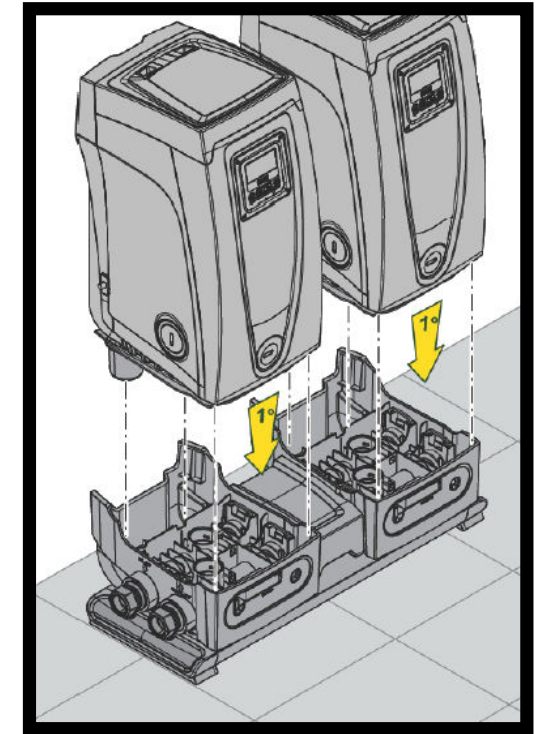
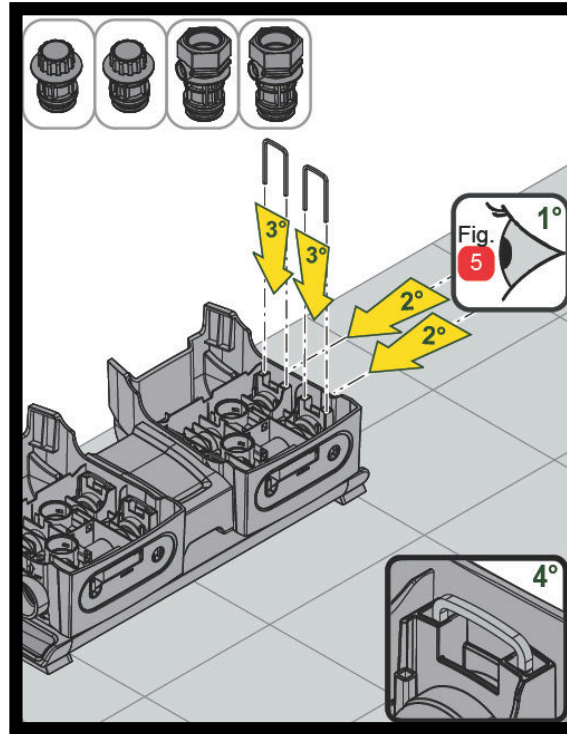
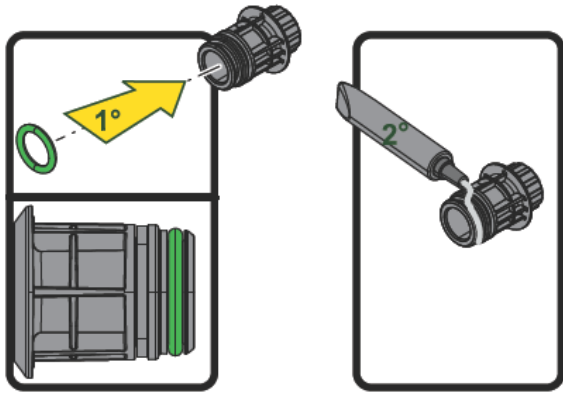
Left Suction, Right Delivery



Right Suction, Left Delivery



E.SYTWIN – HYDRAULIC CONNECTION FIXING



WARNING:

- *Use the quick guide during the installation*
- *Pay attention on the correct position of all o-rings*
- *Grease all o-rings before placing them*

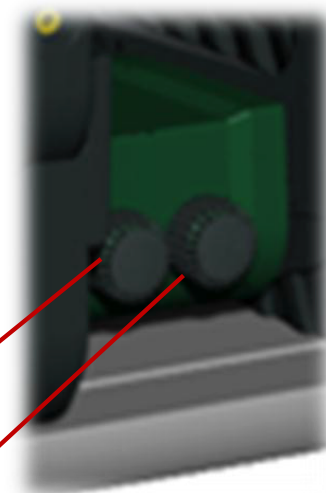
E.SYTWIN – WIRELESS CONNECTION



NO CABLE INTERCONNECTION BETWEEN E.SYBOX

E.SYTWIN – CONNECTION FEATURES

It's possible to disconnect one e.sybox ensuring the water supply thanks to the remaining e.sybox (left pic.).



After disconnecting one unit, fix the adapters and the upper cover to the base. Then screw the 2 maintenance plugs to the adapters.



E.SYTWIN – COMPACT



TOTAL VOLUME $\approx 360 \text{ dm}^3$

Pressure vassel not included



TOTAL VOLUME $\approx 190 \text{ dm}^3$

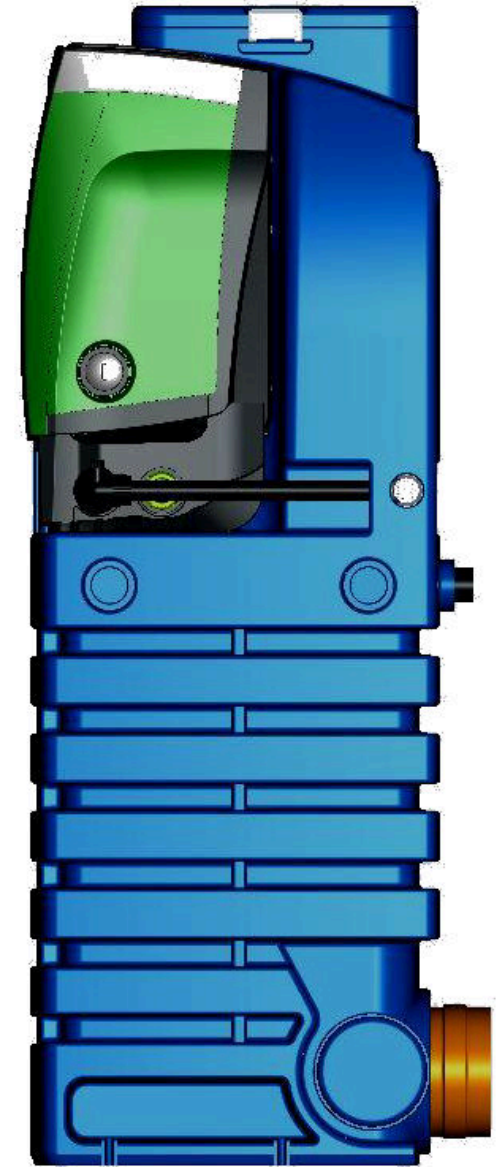
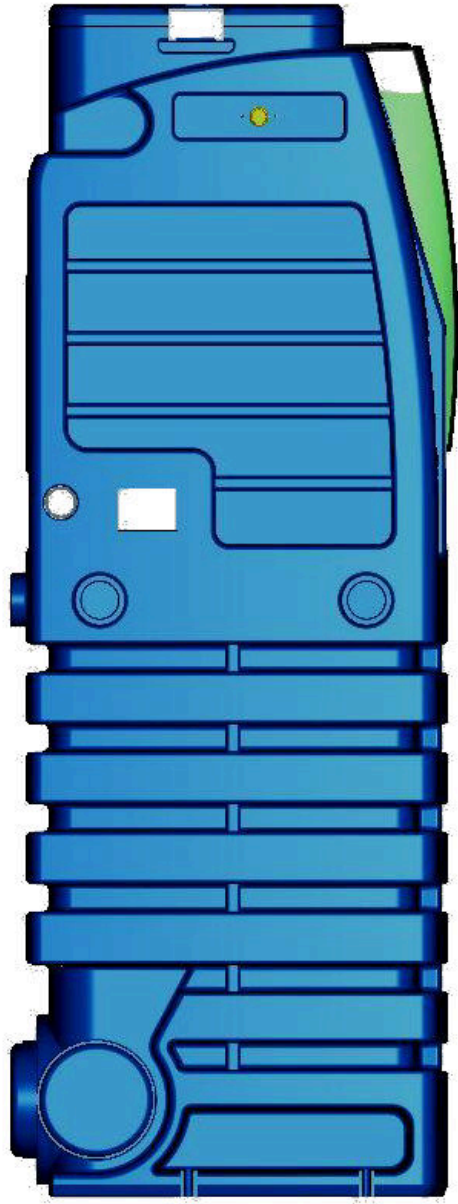
- 50% of occupied space



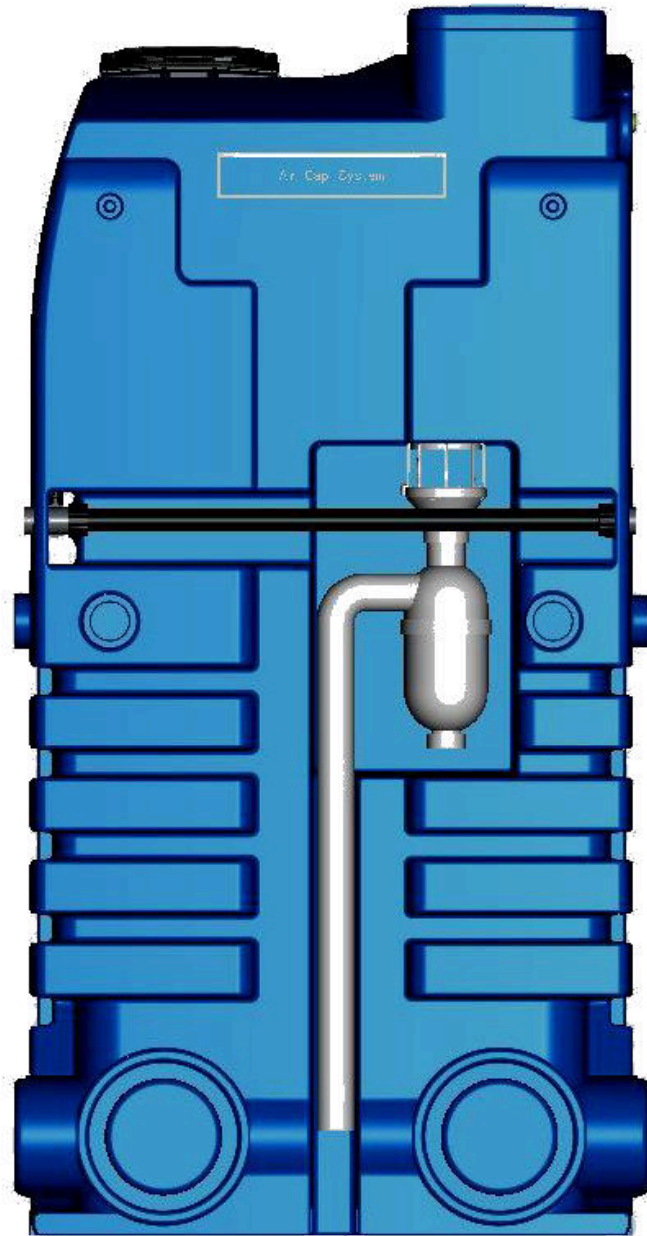
Dimension: 78 x 58 x150 cm

Net Capacity: 440 litres. approx.

E.SYTANK – FRONT AND LATERAL SIDE



E.SYTANK – BACK SIDE



E.SYTANK – TOP



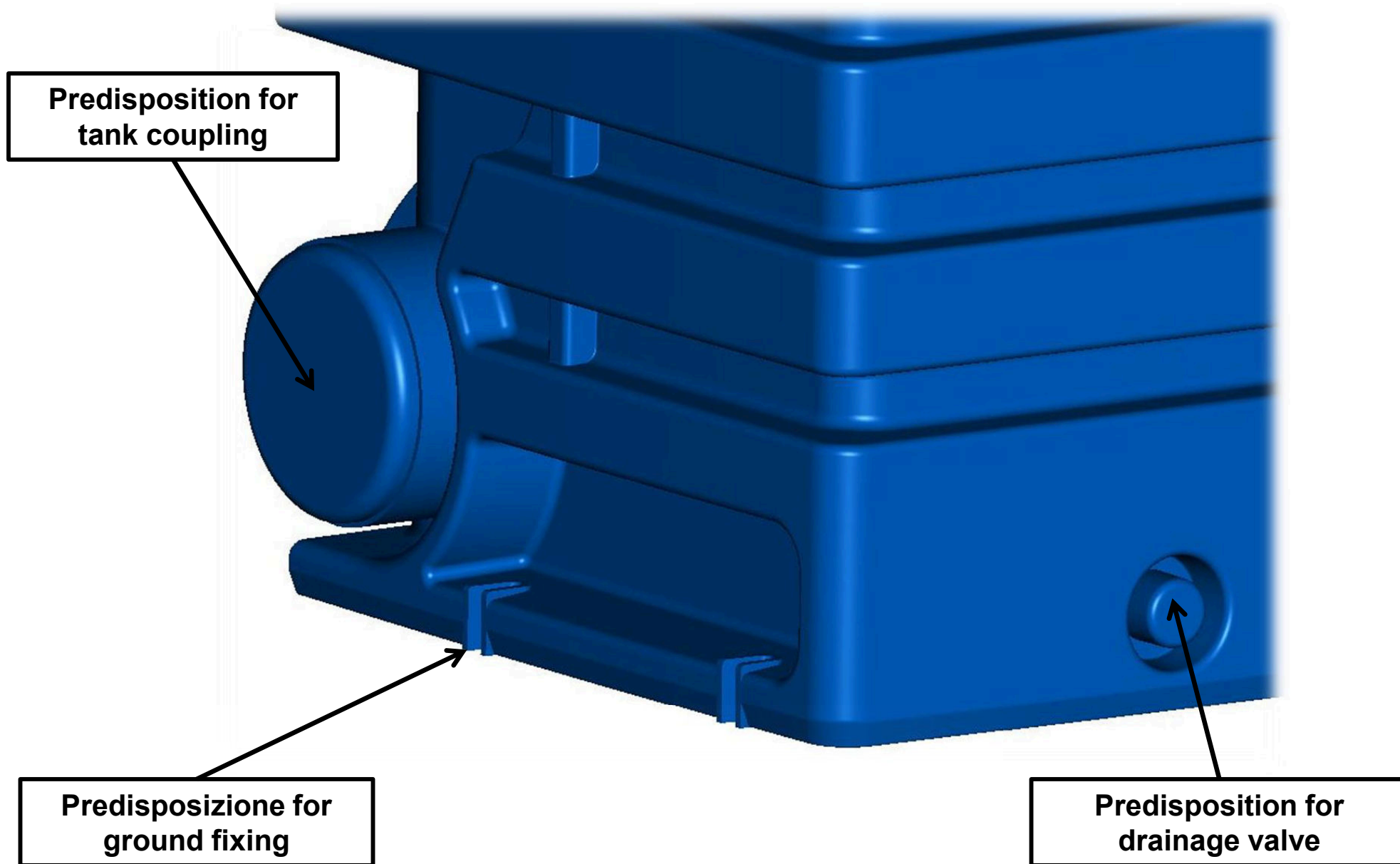
E.SYTANK – FEATURES

Inspection cover equipped with AISI 316 clips for easy removal

Filling valve
 $\frac{3}{4}$ " GAS



E.SYTANK – FEATURES

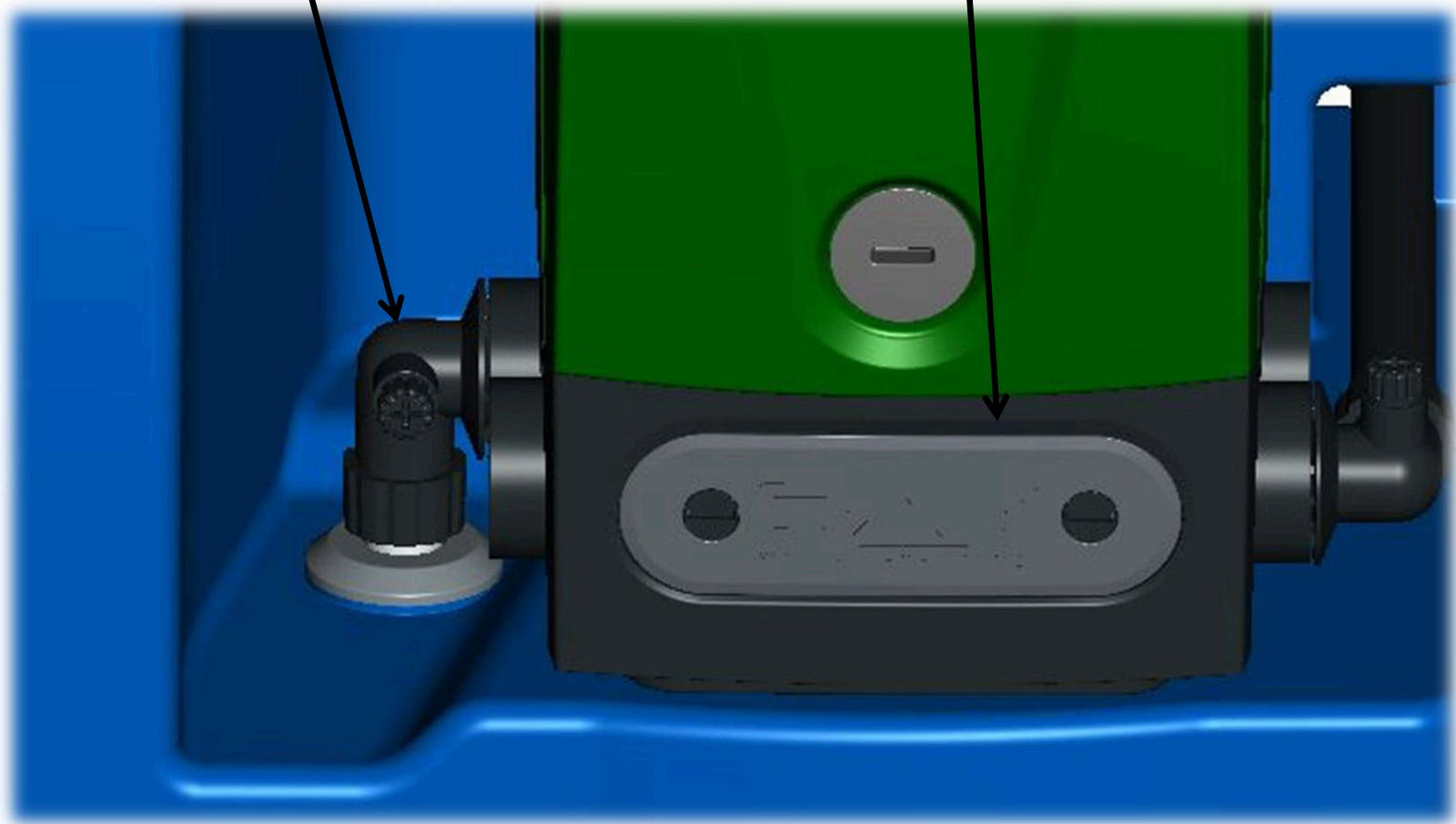


E.SYTANK – FEATURES

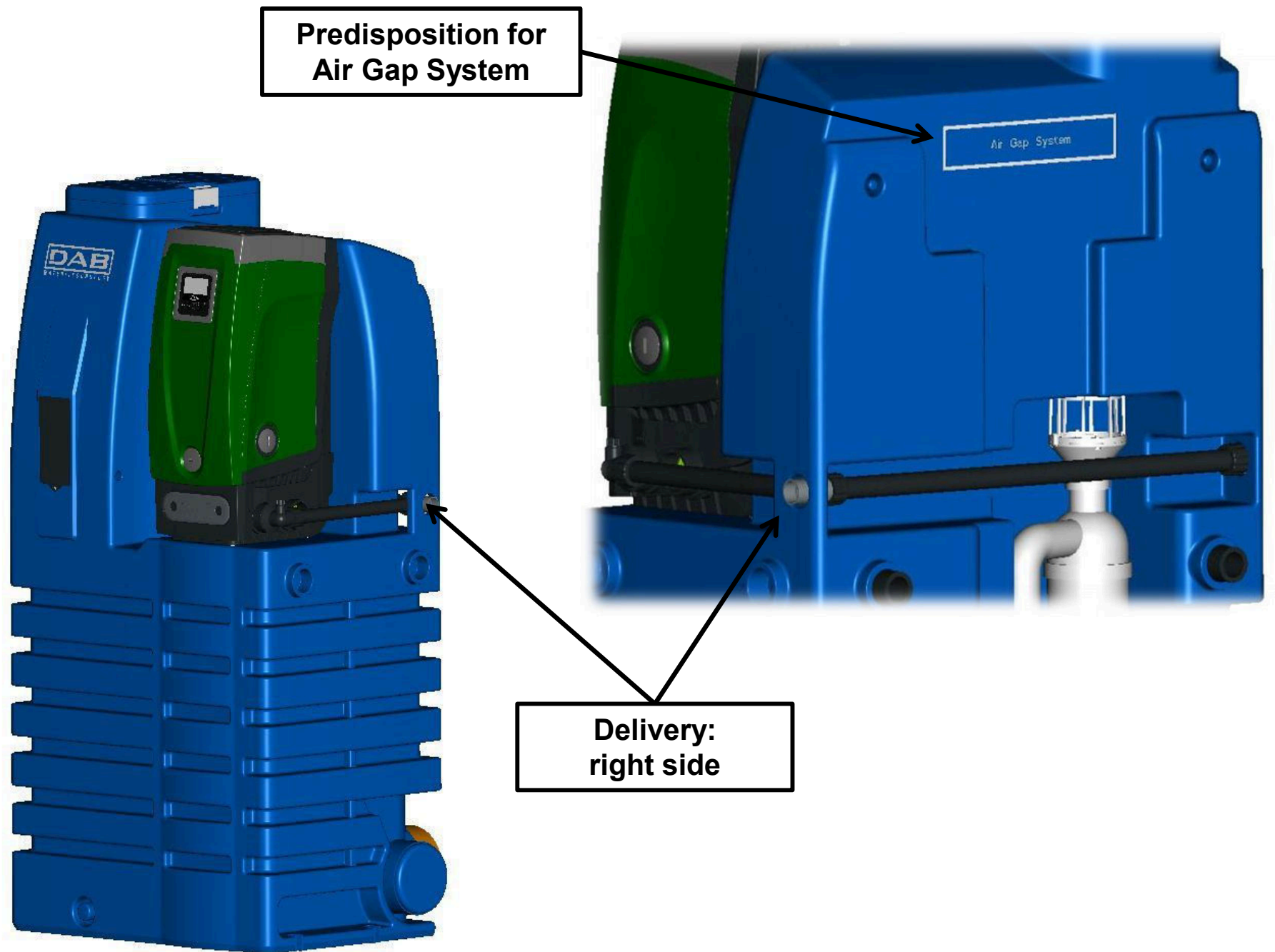
Suction side → from tank with o-ring

Fast connection system for the quick connection
and easy maintenance of the e.sybox

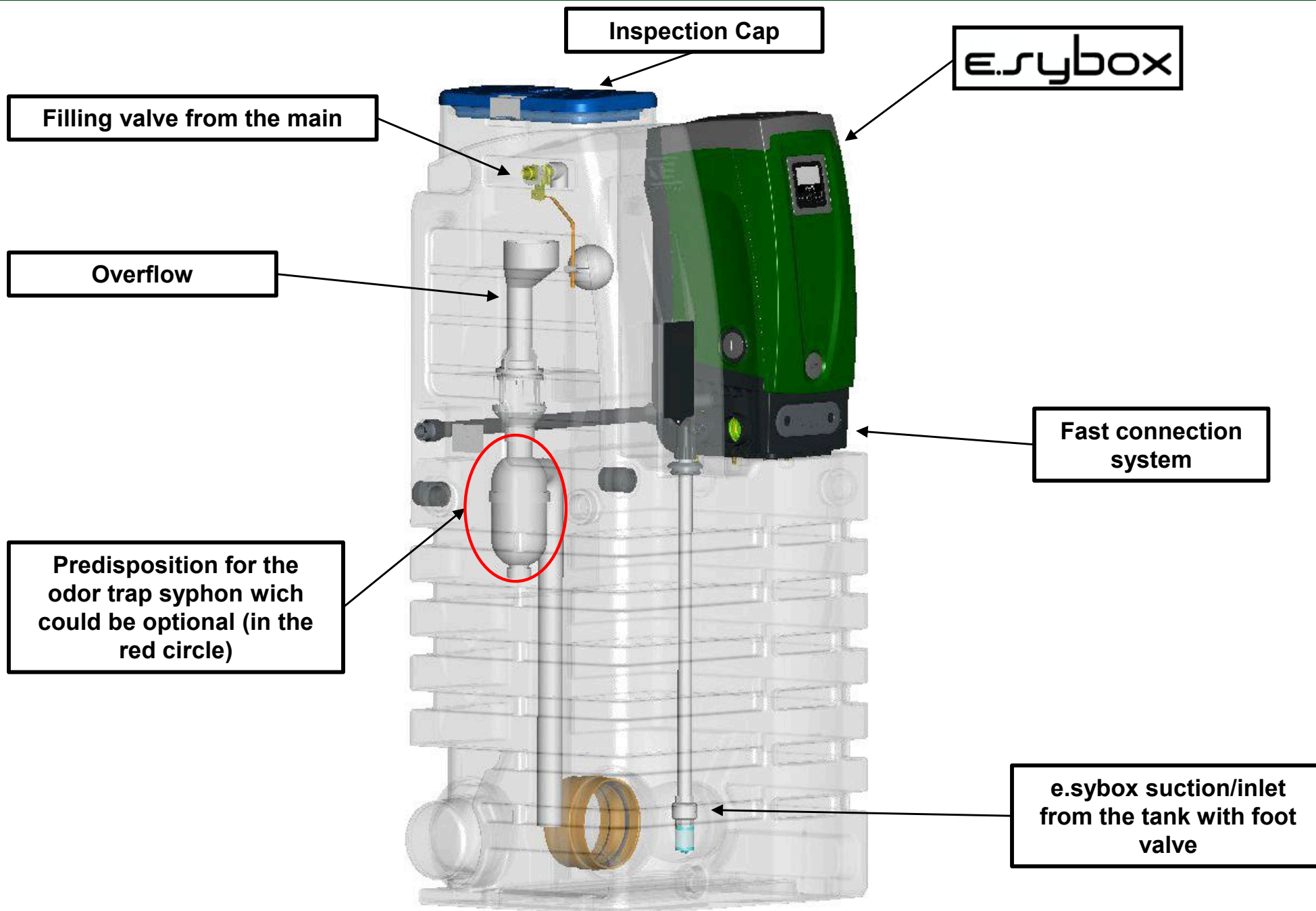
e.sydock INCLUDED



E.SYTANK – FEATURES



E.SYTANK – FEATURES RESUME



E.SYTANK – 360° MODULARITY



E.SYTANK – 360° MODULARITY



E.SYTANK – 360° MODULARITY

