



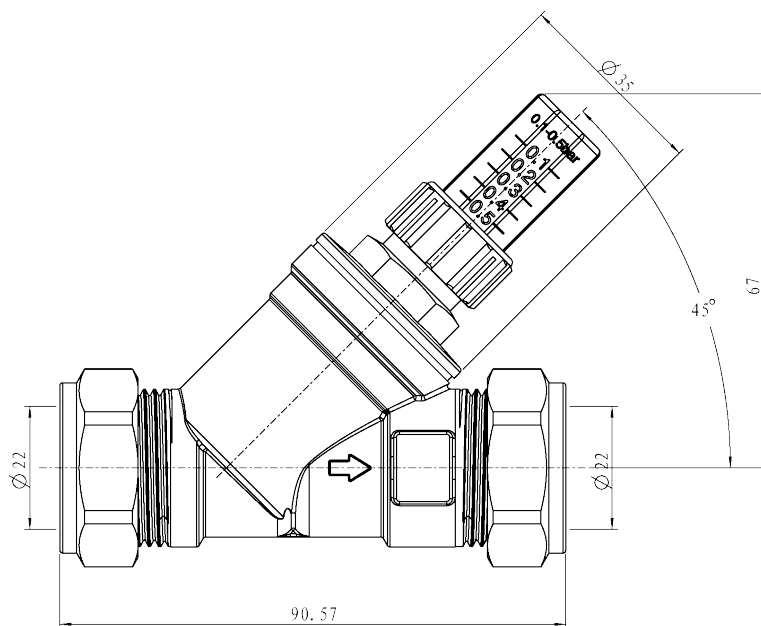
Introduction

A lot of boiler manufacturers demand that the circulation of water through the boiler heat exchangers shouldn't fall below a certain limit, regardless of system load. The Evolve ABV22S straight automatic bypass valve opens and closes according to the system pressure increasing the system efficiency as well as eliminating any noise.

Technical Specification

- Maximum Working Pressure: 10 bar
- Maximum Working Temperature: 100 °C
- Flow Capacity: 1 to 5 m³/h
- Connections: 22mm compression
- Differential Pressure Range: 0.1 to 0.5 bar

Dimensions



EV-ABV22S 22mm Automatic Bypass Valve Straight