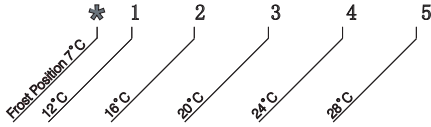




Introduction

The thermostat has the following approximate settings



Rotate the thermostatic head clockwise and anti-clockwise between * and 5 to select the required room temperature. Align the number with the vertical indicator as shown.

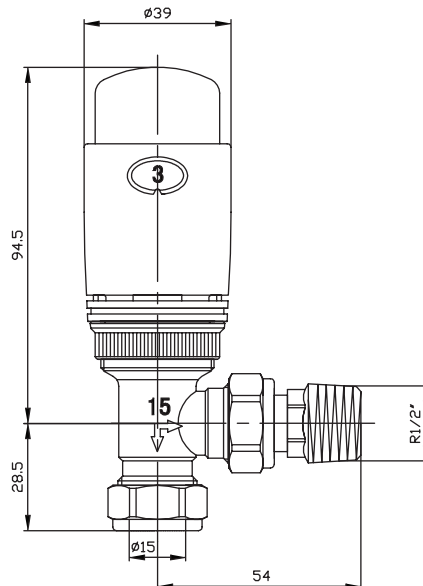
The thermostatic head has within its range a frost setting *. When set at the * position the thermostatic head will react when the ambient temperature drops to 7°C and allows the valve to open. Note: Hot water must be circulating within the heating system.

*The TRV is only suitable for use as a reverse flow valve when the system differential pressure, across the valve, does not exceed 0.25 bar.

Technical Specification

- Nominal flow rate: 150kg/h
- Max flow rate: 470kg/h
- Maximum working pressure: 10 bar
- Maximum pressure differential: 1 bar
- Maximum water temperature: 100°C
- Maximum ambient temperature: 50°C
- Temperature adjustment range: 7 to 28°C
- Response time: 24 min
- Water temperature effect: 1.40 K
- Hysteresis at nominal flow rate: 0.80 K

Dimensions



EV-EC15A Elegance 15mm TRV angled fully chrome