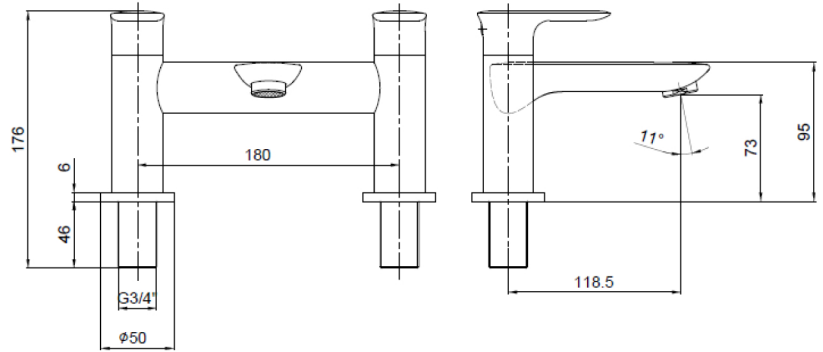


## Specification Sheet

### Bath Filler Mixer



## Product Specification

Product Code: 110.7

Finish: Chrome plated

Construction: Bodies of the tap are solid brass casting, handles are zinc, Solid brass casting produced from grade A brass

Cartridge 3/4" 1/4 turn ceramic head valve

Supply: Suitable for all plumbing system

Inlet Connection: G3/4" female BSP loose nut

Water Pressure: Ranges from a minimum pressure of 0.5 bar to a maximum of 5 bar

Technical Advice: For further information please call 0208-3112329 or email [sales@lavatataps.co.uk](mailto:sales@lavatataps.co.uk)

Guarantee: The product carries a 3 years guarantee, excluding the ceramic (head/cartridge) which is covered by a 12 month guarantee

Flow Rate(litres per minute)

Recommended System Pressure	0.1 bar	0.3 bar	0.5 bar	1.0 bar	1.6 bar	
110.7	10.7	15.4	19	25.9	32.5	