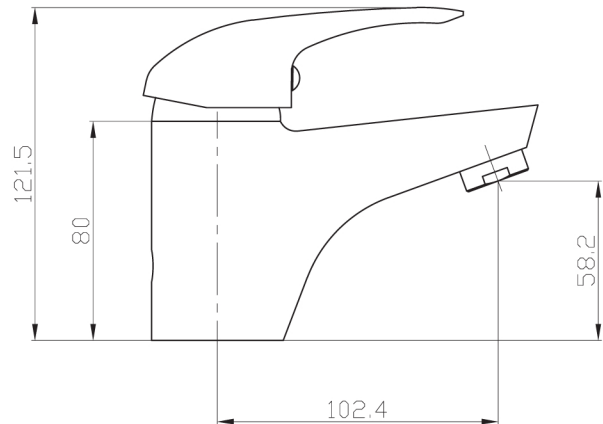


Specification Sheet

Mono Basin Mixer



Product Specification

- Product Code:** 102-1
- Finish:** Chrome plated
- Construction:** Bodies of the tap are solid brass castings, and the handles are zinc cast; Solid brass casting produced from grade A brass
- Valve Type:** 40mm single lever ceraic disc cartrdge
- Supply:** Suitable for all plumbing systems
- Inlet Connections:** G1/2 female BSP loose nut, threaded flexible tails
- Water Pressure:** Ranges from a minimum pressure of 0.2 to a maximum of 5.0 bar

Technical Advice: For further information please call 0208-3112329 or email sales@lavatataps.co.uk

Guarantee: The product carries a 5 year guarantee, excluding the ceramic (head/cartridge) which is covered by a 12 month guarantee

Flow Rates(litres per minute)

System Pressure	0.2 bar	0.3 bar	0.4 bar	0.5 bar	1 bar	2 bar	3 bar	4 bar	5 bar
102-1	6.20	7.20	8.20	9.00	12.50	17.40	21.20	24.50	27.50

For any information please email sales@lavatataps.co.uk

Or visit our web-site at www.lavatataps.co.uk
We reserve the right to make technical modifications without prior notice.