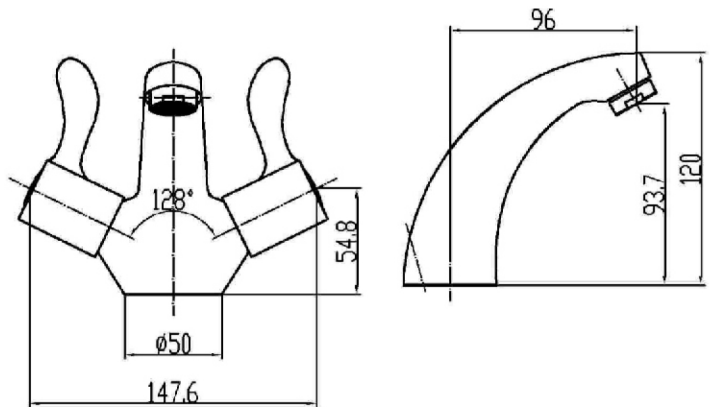


Specification Sheet

Mono Basin Mixer



Product Specification

Product Code:	105-4
Finish:	Chrome plated
Construction:	Bodies of the tap are solid brass castings, and the handles are zinc cast; Solid brass casting produced from grade A brass
Valve Type:	Quarter turn cartridge
Supply:	Suitable for all plumbing systems
Inlet Connections:	Threaded flexible tails
Water Pressure:	Ranges from a minimum pressure of 0.2 to a maximum of 5.0 bar

Technical Advice: For further information please call 0208-3112329 or email sales@lavatataps.co.uk

Guarantee: The product carries a 5 year guarantee, excluding the ceramic (head/cartridge) which is covered by a 12 month guarantee

Flow Rates(litres per minute)

System Pressure	0.2 bar	0.3 bar	0.4 bar	0.5 bar	1 bar	2 bar	3 bar	4 bar	5 bar
105-4	9.80	11.30	12.10	14.40	20.00	26.50	32.50		

For any information please email sales@lavatataps.co.uk

Or visit our web-site at www.lavatataps.co.uk
We reserve the right to make technical modifications without prior notice.