

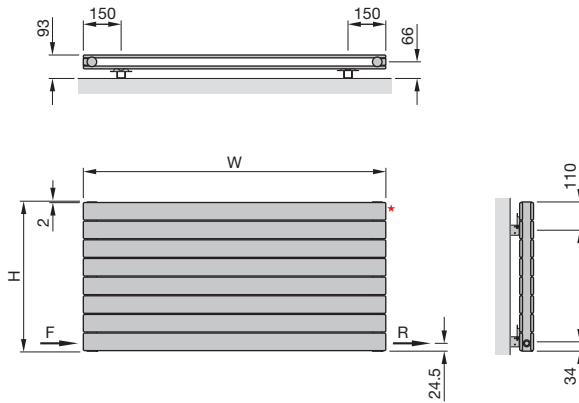
Double Panel

White RAL 9016



Horizontal

Model	Height (mm)	Length (mm)	No. of Sections	Output / BTU $\Delta T=50K$	Output / Watts $\Delta T=50K$
REHD-060-100	592	1000	8	3645	1069
REHD-060-120	592	1200	8	4374	1283
REHD-060-140	592	1400	8	5108	1497
REHD-060-160	592	1600	8	5838	1711



Vertical

Model	Height (mm)	Length (mm)	No. of Sections	Output / BTU $\Delta T=50K$	Output / Watts $\Delta T=50K$
REVD-180-044	1800	444	6	4218	1236
REVD-180-052	1800	510	7	4921	1442
REVD-180-060	1800	590	8	5624	1648

