

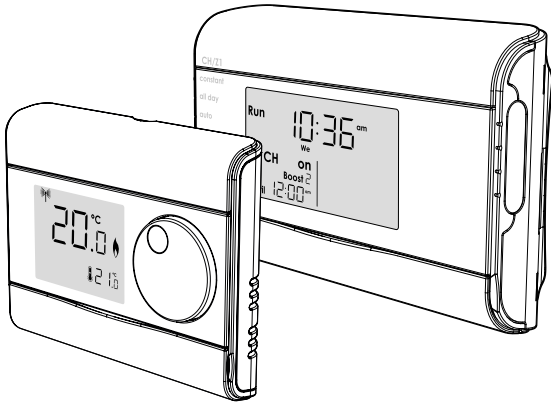


NEOMITIS® TMR7RFa

INSTALLATION

# INSTRUCTIONS

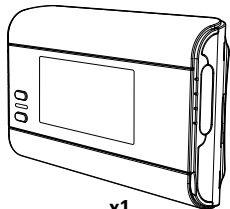
## 7 DAY SINGLE CHANNEL DIGITAL TIMER WITH ROOM THERMOSTAT



Pack contains .....	1
Installation - Timer .....	1
Mounting of wall mounting plate .....	1
Wiring .....	1
Mounting of the timer.....	2
Installation - Thermostat .....	2
Installing batteries.....	2
Mounting of room thermostat .....	2
Pairing procedure.....	3
Installer settings .....	4
Advanced installer setting .....	4
Technical specifications .....	5

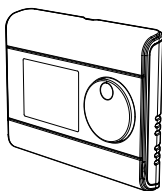


## PACK CONTAINS



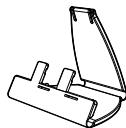
x1

Timer



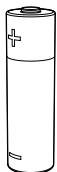
x1

Room thermostat



x1

Thermostat table stand



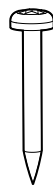
x2

AA Batteries (LR6)



x4

Screw Anchor



x4

Screws



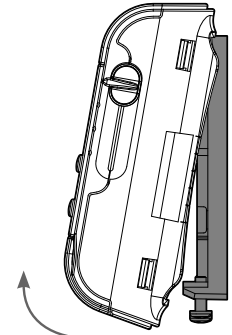
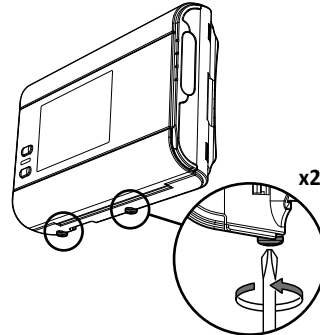
## INSTALLATION - TIMER

### MOUNTING OF WALL MOUNTING PLATE

For best performance, do not mount the timer on metal wall boxes and leave at least 30 cm distance from any metal objects including wall boxes and boiler housing.

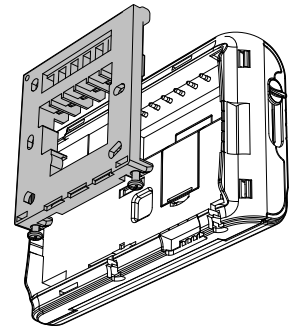
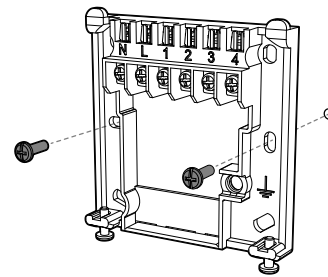
The digital timer is fixed on the wall with the wall plate which is supplied with the product.

- 1- Unscrew the 2 screws under the timer.
- 2- Remove the wall plate from the timer.



- 3- Secure the wall plate with the two screws provided using the horizontal and vertical holes.

- 4- In case of surface mounting, a knock out area is provided on the wall plate and on the corresponding area of the timer.



## WIRING

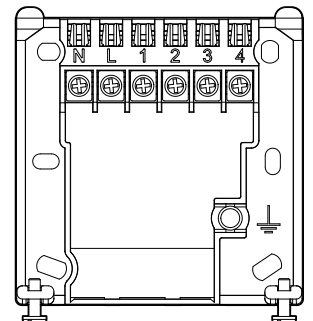


All electrical installation work should be carried out by a suitably qualified Electrician or other competent person. If you are not sure how to install this timer consult either with a qualified electrician or heating Engineer. Do not remove or refit the appliance onto the backplate without the mains supply to the system being isolated.

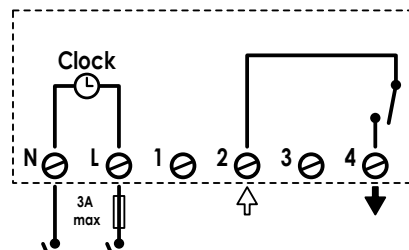
All wiring must be in accordance with IEE regulations. This product is for fixed wiring only.

### Internal wiring

- N = Neutral IN
- L = Live IN
- 1 = Voltage free contact Feed IN 1
- 2 = Voltage free contact Feed IN 2
- 3 = Voltage free contact N.O. switching out 1
- 4 = Voltage free contact N.O. switching out 2

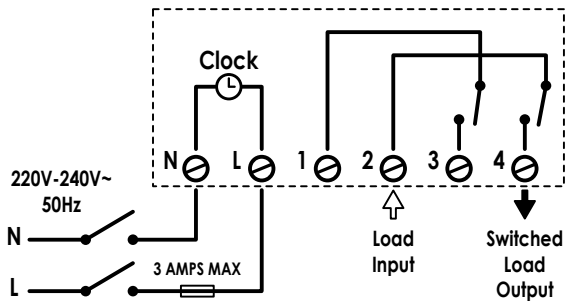


Note: for 230V switching, insert link between L and 2.

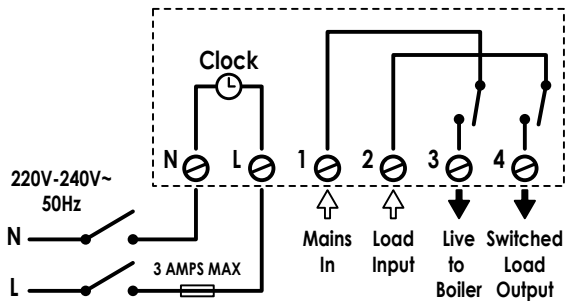


• **Wiring diagrams**

**Standard Connection to Combi Boiler**  
(with Service shut-down if enabled of heating only)

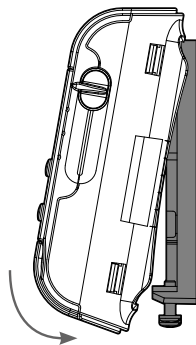


**Connection to Combi Boiler**  
(with Service shut-down if enabled of both heating & hot water)

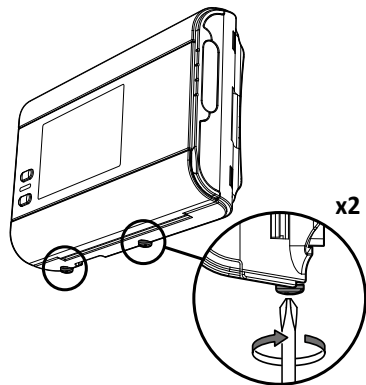


**MOUNTING OF THE TIMER**

1- Replace the timer on the wall mounting plate.



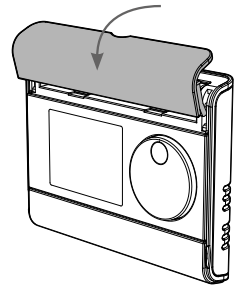
2- Secure the timer by screwing both locking screws under the timer.



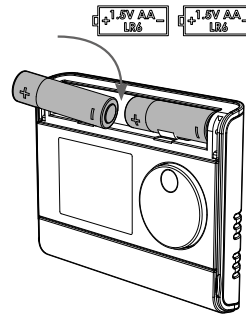
**INSTALLATION - THERMOSTAT**

**INSTALLING BATTERIES**

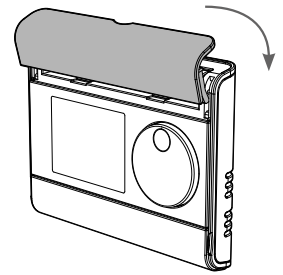
1- Remove the batteries cover which is placed on the front of thermostat.



2- Insert the 2 batteries AA supplied. Note the correct polarity according to the engraving on the thermostat when inserting the batteries.



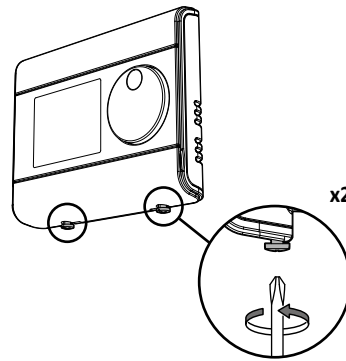
3- Replace the batteries cover.



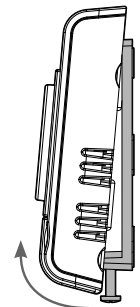
**MOUNTING OF ROOM THERMOSTAT**

• **On the wall**

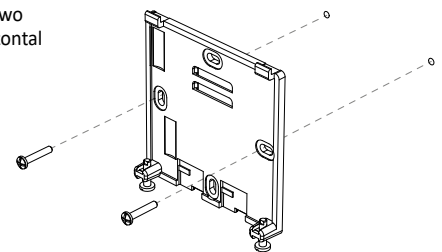
1- Unscrew the 2 screws under the room thermostat.



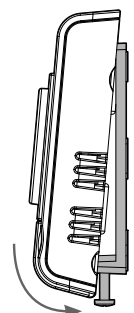
2- Remove the wall plate from the room thermostat.



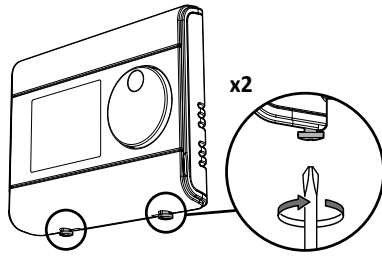
3- Secure the wall plate with the two screws provided using the horizontal and vertical holes.



4- Replace the room thermostat on the wall mounting plate.

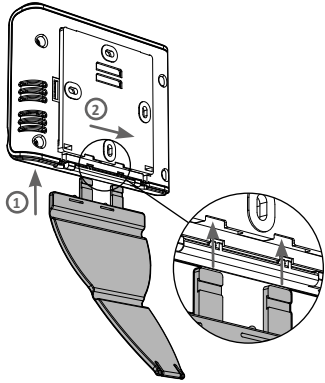


5- Secure the thermostat by screwing the locking screws under the room thermostat.

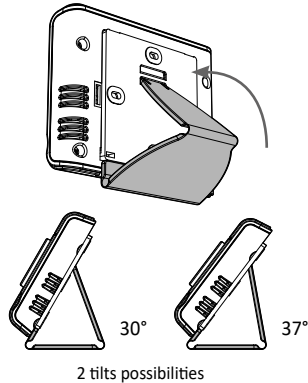


• **On the table stand**

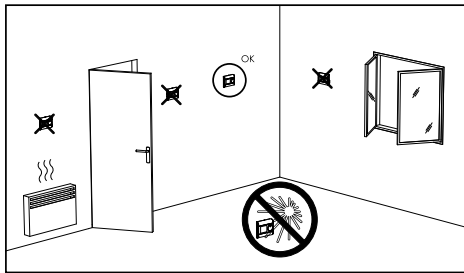
1- Insert the 2 pins inside the wallplate and slide on the stand.



2- Fold the stand and lock it into the wallplate.



**Recommended locations for your room thermostat.**  
To ensure that your room thermostat provides accurate readings and controls effectively, it must be installed approximately 1.5 m above floor level on an inside wall, away from direct sunshine and any other sources of heat or cold such as radiators, cold draughts, etc.



NB: In order to ensure proper operation of the product, ensure that the room thermostat is not positioned near to an area which could be affected by interference from another source. E.g.: a wireless transmitter or receiver, TV, PC, etc.  
Important: The room thermostat measures the temperature of the place where it is installed. It does not take into account the temperature differences that may exist between different locations in the house if the temperature is not uniform.

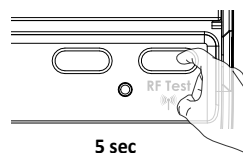
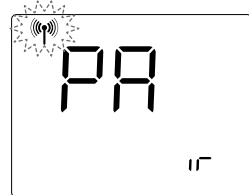
**PAIRING PROCEDURE**

The room thermostat and the timer are not bonded together at the factory. To bond the transmitter and the timer together, proceed as below:

1- Move the mode slider on of the timer to the OFF position and then move the program slider to the RUN position. Once this is done, press and hold the RF test button until PAir is shown in the display (approx. 5 seconds). The pairing icon will be flashing.

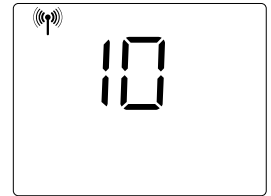


2- **Within 1 minute**, press and hold the RF Test button on the room thermostat until PAir is shown in the display (approx. 5 seconds). The pairing icon will be flashing.



3- Timer and room thermostat RF icon will be solid when pairing is complete and normal display is returned.

Note: the timer is usually located near your boiler. If you want to check the signal strength, press and release the RF test button on the room thermostat. RF icon blinks for 10 seconds then signal strength appears. 10 is the best signal strength.



**PLEASE READ BEFORE PROGRAMMING YOUR THERMOSTAT**

**OPTIMISATION EXPLAINED**

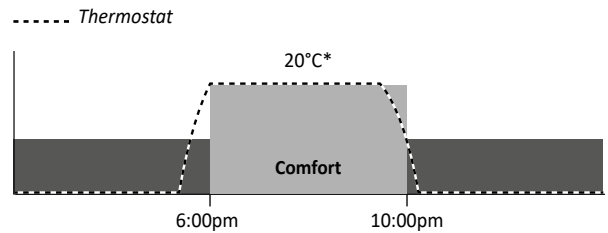
**WHAT IS OPTIMISATION – OPTIMUM START?**

Historically, most UK heating systems waste vast amounts of energy by firing unnecessarily early for most of the year. Homeowners tend to set their boiler on times based on when they wake up by guessing what time they feel that their boiler should fire in order to reach the requested target temperature; for example turning the boiler on at 6am in order to have a warm room/ home by their wake up time at 7am.

**Optimisation function, priority to comfort:** Depending on various parameters: room inertia, ambient temperature, desired temperature, the thermostat calculates and optimizes the programming for each heating period:

**In OPTI mode, priority to comfort**

In **OPTI mode**, the thermostat's inbuilt algorithm optimises in order to guarantee maximum comfort during the COMFORT programme.



\*Default temperature setting

The processor within the thermostat starts the boiler operation at the optimum time to achieve the setpoint temperature at the start of the occupancy period. In this mode, the priority is given to anticipating and maintaining the comfort temperature periods of occupancy.

Instead of using a fixed start time, Optimum Start calculates how long the house will take to warm up depending on the temperature of the home, then fires the boiler automatically at the most efficient moment in order to reach your target temperature by your programmed time.

**HOW DOES OPTIMUM START WORK?**

Optimum Start works on a daily basis. You set the time that you want to be warm and Optimum Start will do the rest; for example - **if you wake up at 7:30AM, then set your thermostat's start time for 7:30AM.** Optimum Start ensures that you are warm when you want to be (and not before), reducing wasted energy and saving money (up to 10% of energy costs).

When the product is in an optimisation period, the **on** or **off** will blink until the beginning of the **CH/ on** or **off** time.

To able / enable the optimisation, refer to the installation instructions/ advanced installer settings.



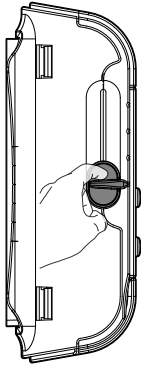


# INSTALLER SETTINGS

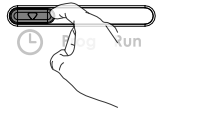
## ADVANCED INSTALLER SETTING

### • Access

Move the mode slider to off position.



Move the programming slider to position.



Press simultaneously **—** and **Review** for 5 seconds.



7 advanced settings can be modified.

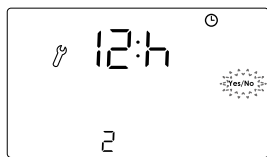
Press **Yes** until correct option is in display then use **—** or **+** to select your choice.

Setting number	Description
2	Set 12 or 24 hours clock
3	Activation of auto Summer/Winter change over
4	Set the number of ON/OFF periods
5	Select your system between Z1 or CH
6	Activation of backlight
7	Optimisation choice
8	Select the type of control: 2 points or TPI

### • Set 12/24 hours clock (2)

The pre-set value is 12 hours clock.

1- Press **—** or **+** to change to "24h".



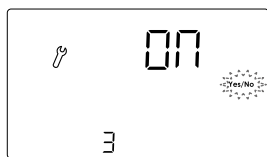
2- Then save by moving the programming slider or save and go to next setting by pressing **Yes**.



### • Auto Summer/Winter change over (3)

The auto Summer/Winter change over default is ON.

1- Press **—** or **+** to change to OFF



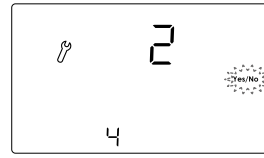
2- Then save by moving the programming slider or save and go to next setting by pressing **Yes**.



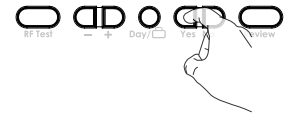
### • Set number of ON/OFF periods (4)

You can adjust the number of ON/OFF switching time periods. The pre-set number is 2.

1- Press **—** or **+** to change to 3 periods.



2- Then save by moving the programming slider or save and go to next setting by pressing **Yes**.

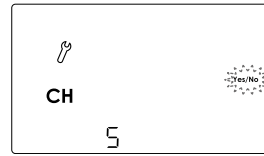


### • Installation operating (5)

The digital timer can manage Central Heating or 1 zone.

The pre-set choice is CH.

1- Press **—** or **+** to change to Z1.



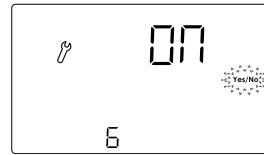
2- Then save by moving the programming slider or save and go to next setting by pressing **Yes**.



### • Backlight (6)

The backlight can be switched Off. The pre-set value is ON.

1- Press **—** or **+** to change to OFF.



2- Then save by moving the programming slider or save and go to next setting by pressing **Yes**.



### • Optimisation (7)

The optimisation can be switched Off; the pre-set value is ON.

1- Press **—** or **+** to change to OFF.



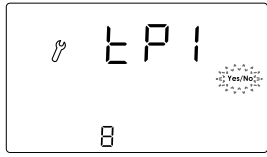
2- Then save by moving the programming slider or save and go to next setting by pressing **Yes**.



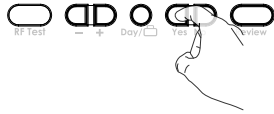
## • Type of control (8)

The type of control can be switched to 2 points; the pre-set value is TPI.

1- Press **-** or **+** to change to 2 points.



2- Then save by moving the programming slider or save and go to next setting by pressing **Yes**.



**Note regarding the Advanced installer settings:** If programming slider is moved, it will save changes and exit installer mode.



## TECHNICAL SPECIFICATIONS

### • Timer

- Power supply: 220V-240V/50Hz.
- Output per relay: 3(2)A, 12V-240V~.
- CR2032 Lithium battery.
- Rated impulse voltage: 4000V.
- Micro disconnection: Type 1B.
- Pollution degree: 2.
- Automatic action: 100,000 cycles.
- Class II.

### Environment:

- Operation temperature: 0°C to +40°C.
- Storage temperature: from -20°C to +60°C.
- Humidity: 80% at +25°C (without condensation)
- Protection rating: IP30.

### • Room thermostat

- Manual temperature setting range: from +5°C to +30°C.
- Power supply: 2 alkaline 1.5 V AA (LR6) batteries.
- Battery life: approx. 2 years.
- Radio frequency: 2,4035 Ghz / 2,4055 Ghz / 2,4075 Ghz.
- Maximum RF radiated power: <1mW. Can be used anywhere in the EU.

**Maximum range in the home:** 15m is typical but this varies depending on the building construction E.g. plasterboard lined with metal foil, the number of walls and ceilings that the signal has to pass through, and by the surrounding electromagnetic environment.

**Signal sending:** every 10 minutes, maximum time-lag 1 minute after setpoint temperature has been changed.

### Environment :

- Operation temperature: 0°C to +40°C.
- Storage temperature: from -10°C to +60°C.
- Humidity: 80% at +25°C (without condensation)
- Protection rating: IP30.

**UKCA declaration of conformity:** We, Neomitis Ltd, hereby declare under our sole responsibility that the products described in these instructions comply with statutory instruments 2017 No. 1206 (Radio Equipment Regulations), 2012 n°3032 (ROHS) and following designated standards listed below:

- 2017 No. 1206 (Radio Equipment Regulations):
  - Article 3.1a : EN 60730-1:2011, EN 60730-2-7:2010/AC:2011, EN 60730-2-9:2010, EN 62311:2008
  - Article 3.1b : EN 301489-1 V1.9.2
  - Article 3.2 : EN 300440 V2.1.1
- The Restriction of the Use of Certain Hazardous Substances in Electrical and Electronic Equipment Regulations 2012 (2012 No.3032) : EN IEC 63000:2018.

Neomitis Ltd: 16 Great Queen Street, Covent Garden, London, WC2B 5AH UNITED KINGDOM - contactuk@neomitis.com


**EU declaration of conformity:** We, Imhotep Creation, hereby declare under our sole responsibility that the products described in these instructions comply with the provisions of Directives and harmonized standards listed below:

- RED:
  - Article 3.1a (Safety): EN60730-1:2011 / EN60730-2-7:2010/ EN60730-2-9: 2010 / EN62311:2008
  - Article 3.1b (EMC): ETSI EN 301 489-1 V2.2.1 (2019-03) / ETSI EN 301 489-3 V2.1.1
  - Article 3.2 (RF): ETSI EN 300440 V2.1.1 (2017)
- RoHS 2011/65/UE, amended by Directives 2015/863/UE & 2017/2102/UE : EN IEC 63000:2018

Imhotep Creation: ZI Montplaisir - 258 Rue du champ de courses - 38780 Pont-Evêque - France - contact@imhotepcreation.com

Neomitis Ltd and Imhotep Creation belong to Axenco Group.



The symbol , affixed on the product indicates that you must dispose of it at the end of its useful life at a special recycling point, in accordance with European Directive WEEE 2012/19/EU. If you are replacing it, you can also return it to the retailer from which you buy the replacement equipment. Thus, it is not ordinary household waste. Recycling products enables us to protect the environment and to use less natural resources.





# NOTES

---

A series of horizontal dotted lines for writing notes.



# NOTES

---

A series of horizontal dotted lines for writing notes, spanning the width of the page.



[www.neomitis.com](http://www.neomitis.com)



NEOMITIS® LIMITED - 16 Great Queen Street, Covent Garden, London, WC2B 5AH UNITED KINGDOM  
Registered in England and Wales No: 9543404  
Tel: +44 (0) 2071 250 236 - Fax: +44 (0) 2071 250 267 - E-mail: [contactuk@neomitis.com](mailto:contactuk@neomitis.com)