



INSTALLATION & SERVICING

VOGUE MAX SYSTEM 15 18 26 32



When replacing any part on this appliance, use only spare parts that you can be assured conform to the safety and performance specification that we require. Do not use reconditioned or copy parts that have not been clearly authorised by Ideal Boilers.

For the very latest copy of literature for specification and maintenance practices visit our website idealboilers.com where you can download the relevant information in PDF format.



ERP DATA

			MODEL			
	SYMBOL	UNITS	15	18	26	32
Condensing Boiler	n/a	n/a	yes	yes	yes	yes
Low Temperature Boiler	n/a	n/a	no	no	no	no
B1 Boiler	n/a	n/a	no	no	no	no
Cogeneration Space Heater	n/a	n/a	no	no	no	no
Equipped with a Supplementary Heater	n/a	n/a	no	no	no	no
Combination Heater	n/a	n/a	no	no	no	no
Nominal Heat Output for Space Heating						
Full Load	P ₄	kW	15	18	26	32
Part Load	P ₁	kW	4.9	5.9	8.5	10.5
Auxiliary Electricity Consumption						
Full Load	e _{lmax}	kW	0.025	0.040	0.045	0.049
Part Load	e _{lmin}	kW	0.005	0.004	0.011	0.012
Standby	P _{SB}	kW	0.003	0.003	0.003	0.003
Seasonal Space Heating Energy Efficiency						
Full Load	η ₄	%	89.6	89.8	89.7	89.8
Part Load	η ₁	%	97.0	97.8	97.8	97.8
Standby Loss	P _{stby}	kW	0.020	0.020	0.020	0.020
Ignition	P _{ign}	kW	0	0	0	0
Emissions						
Nox (Gross)	NO _{x, pond Hs}	mg/kWh	40	42	47	30
Annual Energy Consumption	Q _{HE}	GJ	47	56	80	99
Sound Power Level, Indoors	LWA	dB	50	52	52	50

PRODUCT FICHE

VOGUE MAX SYSTEM BOILER

Ideal Boilers

ERP DATA

	SYMBOL	UNITS	MODEL			
			15	18	26	32
Condensing boiler			Yes			
Seasonal Space heating efficiency class			A			
Rated heat output		kW	15	18	26	32
Seasonal space heating energy efficiency	η_s	%	92*	93*	93*	93*
Annual energy consumption	Q_{HE}	GJ	47	56	80	99
Sound power level, indoors	L_{WA}	dBA	50	52	52	50

Seasonal Space Heating Energy Efficiency of the Boiler								*%	A
Temperature control (from fiche of temperature control)								%	
<i>Class I</i>	<i>Class II</i>	<i>Class III</i>	<i>Class IV</i>	<i>Class V</i>	<i>Class VI</i>	<i>Class VII</i>	<i>Class VIII</i>	B	
1%	2%	1.5%	2%	3%	4%	3.5%	5%		

Solar Contribution (from fiche of solar device)

Collector Size
(in m²)

Tank Volume
(in m³)

Collector
Efficiency
(in %)

Tank rating
A* = 0.95
A = 0.91
B = 0.86
C = 0.83
D-G = 0.81

= ('III' x + 'IV' x) x 0.9 x (/ 100 x) = % C

Seasonal Space Heating Energy Efficiency of Package

TOTAL: A+B+C=

 %

Seasonal Space Heating Energy Efficiency Class of Package

<input style="width: 20px; height: 20px;" type="checkbox"/>	<input style="width: 20px; height: 20px;" type="checkbox"/>	<input style="width: 20px; height: 20px;" type="checkbox"/>	<input style="width: 20px; height: 20px;" type="checkbox"/>	<input style="width: 20px; height: 20px;" type="checkbox"/>	<input style="width: 20px; height: 20px;" type="checkbox"/>	<input style="width: 20px; height: 20px;" type="checkbox"/>	<input style="width: 20px; height: 20px;" type="checkbox"/>	<input style="width: 20px; height: 20px;" type="checkbox"/>	<input style="width: 20px; height: 20px;" type="checkbox"/>
G	F	E	D	C	B	A	A+	A++	A+++
< 30%	≥ 30%	≥ 34%	≥ 36%	≥ 75%	≥ 82%	≥ 90%	≥ 98%	≥ 125%	≥ 150%

The energy efficiency of the package of products provided for in this document may not correspond to its actual energy efficiency once installed in a building, as the efficiency is influenced by further factors such as heat loss in the products in relation to the building size and its characteristics

NOTES FOR THE INSTALLER

**FOR ANY TECHNICAL QUERIES PLEASE RING THE
INSTALLER HELPLINE : 01482 498663**

NOTE. BOILER RESTART PROCEDURE -

To restart boiler, press RESTART button on the control panel. The boiler will repeat the ignition sequence if a heat demand is present

DOCUMENT AMENDMENTS

Relevant Installation changes implemented in this book from Mod Level..... A02 (July 18) to A03 (Feb 19)

ERP Data (Page 2)

Updated Nox Emissions figures

Section 1.15 Condensate Drain

Updated information and figures

Section 3.1

Maximum & Minimum rates information

Ideal Boilers reserve the right to vary specification without notice

CONTENTS

1	GENERAL.....	10	3	SERVICING	45
1.1	Introduction	10	3.1	Servicing Schedule	45
1.2	Operation	10	3.2	Boiler Front Panel Removal / Replacement.....	46
1.3	Safe Handling.....	10	3.3	Lowering Controls Panel/Accessing Mains Wiring....	46
1.4	Optional Extra Kits	10	3.4	Fan And Venturi Assembly Removal And Cleaning....	47
1.5	Safety	10	3.5	Removal Of Injector	47
1.6	Safe Handling Of Substances	10	3.6	Burner Removal And Cleaning.....	48
1.7	Location Of Boiler	11	3.7	Cleaning The Condensate Trap / Siphon	48
1.8	Gas Supply.....	11	3.8	Cleaning The Heat Exchanger	49
1.9	Flue Installation	11	3.9	Re-Assembly.....	49
1.10	Terminal.....	12	3.10	Replacement Of Components.....	50
1.11	Air Supply.....	12	3.11	Fan Replacement.....	50
1.12	Water Circulation System.....	12	3.12	Burner Injector Replacement	51
1.13	Boiler Control Interlocks	12	3.13	Burner/Door Assembly Replacement	51
1.14	Electrical Supply.....	12	3.14	Return Thermistor Renewal	51
1.15	Condensate Drain	12	3.15	Ignition Electrode Replacement	52
1.16	Boiler Dimensions, Services & Clearances.....	13	3.16	Flame Detection Electrode Replacement.....	52
1.17	System Requirements	14	3.17	Spark Generator Replacement	53
1.18	System Balancing	15	3.18	Gas Control Valve Replacement	53
1.19	Water Treatment.....	15	3.19	Condensate Trap Replacement	53
2	INSTALLATION	16	3.20	PCB Replacement.....	54
2.1	Boiler Assembly - Exploded View.....	16	3.21	User PCB Replacement.....	55
2.2	Unpacking	17	3.22	Draining The Boiler	55
2.3	Front Panel Removal	18	3.23	Pressure Gauge Renewal	55
2.4	Wall Mounting Template	19	3.24	Safety Pressure Relief Valve Renewal.....	56
2.5	Preparing The Wall.....	19	3.25	Pump Auto Air Vent Replacement.....	56
2.6	Fitting The Wall Mounting Plate	19	3.26	Pump Head Replacement.....	57
2.7	Mounting The Boiler	19	3.27	CH Water Pressure Sensor Replacement.....	57
2.8	Determining The Flue Length & Flue Packs Req'd ...	20	3.28	Flow Thermistor Replacement	57
2.9	Cutting & Setting The Flue Length	22	3.29	Heat Exchanger Replacement	58
2.10	Installing The Flue.....	23	3.30	Expansion Vessel Recharging And Replacement	59
2.11	Condensate Drain	24	3.31	Boiler Sealing Panel Replacement.....	59
2.12	Fitting The Optional Roof Flue Kit (Flat Or Pitched)...	26	3.32	External System Filter Cleaning Guide.....	59
2.13	Flue Terminal Position	27	4	FAULT FINDING	60
2.14	Assembling The Roof Flue Kit.....	28	4.1	Fault Finding Chart Main Menu.....	60
2.15	Connections & Filling	29	4.2	Overheat Lockout.....	61
2.16	Electrical Connections.....	30	4.3	Ignition Lockout.....	61
2.17	Installer Wiring - Mains.....	30	4.4	Flame Loss.....	62
2.18	Optional System Controls Kits	31	4.5	Thermal Fuse Lockout	62
2.19	Internal Wiring - External Controls	31	4.6	Flame On Before Gas Valve On.....	63
2.20	System Control Wiring	32	4.7	Flow Thermistor Fault	63
2.21	External Electrical Controls.....	33	4.8	Outside Sensor Fault	63
2.22	Wiring Diagram	34	4.9	Return Thermistor Fault	64
2.23	Commissioning And Testing	35	4.10	Fan Fault	64
2.24	Initial Lighting	36	4.11	Low Water Pressure.....	64
2.25	Check CH & HW Cylinder Operation	37	4.12	No Water Flow.....	64
2.26	Display Functions In Normal Operation	38	4.13	No Connection To Primary Pcb	65
2.27	Changing Settings.....	38	4.14	No CH But Cylinder Temperature Ok	65
2.28	Menu Operation	39	4.15	No HW But CH Ok	66
2.29	General Checks	44	4.16	Blank Display	66
2.30	Handing Over	44	5	SPARE PARTS	67
			6	BENCHMARK & COMMISSIONING	68

SECTION 1 - GENERAL

Table 1 - General Data

		15	18	26	32	
Gas supply		2H - G20 - 20mbar				
Gas Supply Connection		22mm copper compression				
Injector Size	m	3.40	3.35	4.30	4.80	
Flow Connection	Central Heating	22mm copper compression				
Return Connection	Central Heating	22mm copper compression				
Flue Terminal Diameter	mm	100				
Average Flue Temp-Mass Flow Rate (CH)	°C (g/s)	72°C (6 g/s)	67°C (8 g/s)	70°C (11 g/s)	70° (14 g/s)	
CO ₂ Content (± 0.7)	Max. CH	9.4 %	9.5 %	9.5 %	9.5 %	
	Min CH	8.3 %	8.5 %	8.4 %	8.2 %	
Maximum Working Pressure (Sealed Systems)	bar	2.5				
Electrical Supply		230 V ~ 50 Hz.				
Power Consumption	W	73	88	98	102	
Fuse Rating		External : 3A Internal : 4A Time Delay				
Water content	Central Heating	litre	1.1	1.5	1.8	2.2
Packaged Weight		kg	38.0	38.8	40.2	42.2
Maximum Installation Weight		kg	30.7	31.5	32.9	34.3
Boiler Casing Size	Height	mm	740			
	Width	mm	445			
	Depth	mm	330			
Heat Exchanger Weight without Burner		kg	6.0	7.3	8.2	9.5

Table 2 - Performance Data - Central Heating

Boiler Input :			Max.				Min.			
			15	18	26	32	15	18	26	32
Boiler Input 'Q'	Nett CV	kW	15.1	18.1	26.1	32.1	3.0	3.6	5.2	6.4
	Gross CV	kW	16.8	20.1	29.0	35.6	3.3	4.0	5.8	7.1
Gas Consumption		m ³ /h	1.559	1.869	2.695	3.314	0.310	0.372	0.537	0.661
Boiler Output :										
Non Condensing		kW	15.0	18.0	26.0	32.0	3.0	3.6	5.2	6.4
70°C Mean Water temp.										
Condensing		kW	16.2	19.3	27.9	34.3	3.2	3.9	5.6	6.8
40°C Mean Water temp.										
Seasonal efficiency* SEDBUK 2005			91	91.1	91.1	91.1	n/a			
Seasonal efficiency* SEDBUK 2009			88.9	89.3	89.3	89.3	n/a			
NOx Classification	Class 6									

* The value is used in the UK Government's Standard Assessment Procedure (SAP) for energy rating of dwellings. The test data from which it has been calculated have been certified by a notified body.

Note. Gas consumption is calculated using a calorific value of 38.7 MJ/m³ gross or 34.9 MJ/m³ nett

To obtain the gas consumption at a different calorific value:

- For l/s - divide the gross heat input (kW) by the gross C.V. of the gas (MJ/m³)
- For ft³/h - divide the gross heat input (Btu/h) by the gross C.V. of the gas (Btu/ft³)
- For m³/h - multiply l/s by 3.6

Key to symbols

GB = United Kingdom **IE** = Ireland (Countries of destination)

PMS = Maximum operating pressure of water

C₁₃ C₃₃ C₅₃* = A room sealed appliance designed for connection via ducts to a horizontal or vertical terminal, which admits fresh air to the burner and discharges the products of combustion to the outside through orifices which, in this case, are concentric. The fan is up stream of the combustion chamber. (*Note. C₅₃ covers optional high level and balcony flue kits only.)

I_{2H} = An appliance designed for use on 2nd Family gas, Group H only.

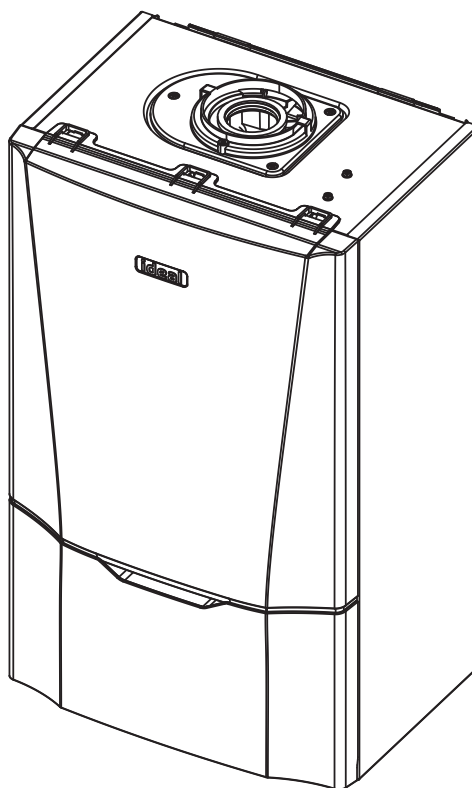
SECTION 1 - GENERAL

VOGUE MAX SYSTEM

Natural Gas only

Boiler size	G.C. Appliance No. (Benchmark No.)
15	41-796-22
18	41-796-23
26	41-796-24
32	41-796-25

Destination Country: GB, IE



For GB, to comply with Building Regulations Part L1 (Part 6 in Scotland) the boiler should be fitted in accordance with the manufacturer's instructions. Self-certification that the boiler has been installed to comply with Building Regulations can be demonstrated by completing and signing the Benchmark Commissioning Checklist.

Before installing this boiler, read the Code of Practice sheet at the rear of this book.

BENCHMARK COMMISSIONING CHECKLIST DETAILS

Boiler	Page	Page	
Make and model.....	9	Burner operating pressure	n/a
Appliance serial no. on data badge	Front Cover	Central heating flow temp.	measure and record
SEDBUK No. %.....	8	Central heating return temp.	measure and record
Controls		For combination boilers only	
Time and temperature control to heating	31	Scale reducer	n/a
Time and temperature control to hot water	n/a	<i>Hot water mode</i>	
Heating zone valves.....	n/a	Heat input.....	to be calculated
TRV's.....	12	Max. operating burner pressure	n/a
Auto bypass	12	Max. operating water pressure.....	measure & record
Boiler interlock.....	12	Cold water inlet temp	measure & record
For	all boilers	Hot water outlet temp.	measure & record
Flushing to BS 7593.....	15	Water flow rate at max. setting.....	measure & record
Inhibitor	15	For condensing boilers only	
<i>Central heating mode</i>		Condensate drain.....	24-25
Heat input.....	to be calculated	For all boilers:	<i>complete, sign & hand over to customer</i>
			For assistance see Technical Helpline on the back page

NOTE TO THE INSTALLER: COMPLETE THE BENCHMARK COMMISSIONING CHECKLIST AND LEAVE THESE INSTRUCTIONS WITH APPLIANCE



1.1 INTRODUCTION

The **Vogue** range of boilers are wall mounted, full sequence, automatic spark ignition, low water content, fanned flue, high efficiency, condensing, system gas boilers.

Note. *Due to the high efficiency of the boiler a plume of water vapour will form at the terminal during operation.*

Central heating (CH) output is fully modulating with a range of:

15	3.0 to 15kW
18	3.6 to 18kW
26	5.2 to 26kW
32	6.4 to 32kW

The boiler is supplied fully assembled with circulating pump, pressure gauge, pressure relief valve and CH expansion vessel.

Variable CH controls are fitted on the user control.

The boiler includes as standard:

- Automatic bypass
- Boiler frost protection
- Daily pump exercise.

The boiler casing is of white painted mild steel with a white polymer front panel.

The boiler temperature controls are located behind the lower panel on the front of the boiler.

The heat exchanger is manufactured from stainless steel.

The boiler is suitable for connection to fully pumped, sealed heating systems ONLY. Adequate arrangements for completely draining the system by provision of drain cocks MUST be provided in the installation pipework.

The standard configuration of pipework from the boiler is routed downwards.

The Ideal system filter is supplied with this boiler. Installation instructions for this are located within the system filter box.

Be sure to follow Ideal system filter installation and maintenance guide for correct method of installation. Failure to install the system filter correctly will affect boiler warranty.

1.2 OPERATION

When there is a demand for CH, the heating system is supplied at the selected temperature of between 30°C and 80°C.

The boiler features a comprehensive diagnostic system which gives detailed information on the boiler status when operating, and performance of key components to aid commissioning and fault finding.

1.3 SAFE HANDLING

This boiler may require 2 or more operatives to move it to its installation site, remove it from its packaging base and during movement into its installation location. Manoeuvring the boiler may include the use of a sack truck and involve lifting, pushing and pulling.

Caution should be exercised during these operations.

Operatives should be knowledgeable in handling techniques when performing these tasks and the following precautions should be considered:

- Grip the boiler at the base.
- Be physically capable.
- Use personal protective equipment as appropriate, e.g. gloves, safety footwear.

During all manoeuvres and handling actions, every attempt should be made to ensure the following unless unavoidable and/or the weight is light.

- Keep back straight.
- Avoid twisting at the waist.
- Avoid upper body/top heavy bending.
- Always grip with the palm of the hand.
- Use designated hand holds.
- Keep load as close to the body as possible.
- Always use assistance if required.

1.4 OPTIONAL EXTRA KITS

Please visit www.idealboilers.com to access the Flue and Accessories Guide for this boiler.

1.5 SAFETY

Current Gas Safety (installation and use) regulations or rules in force:

The appliance is suitable only for installation in GB and IE and should be installed in accordance with the rules in force.

In GB, the installation must be carried out by a Gas Safe Registered Engineer. It must be carried out in accordance with the relevant requirements of the:

- Gas Safety (Installation and Use) Regulations
- The appropriate Building Regulations either The Building Regulations, The Building Regulations (Scotland), Building Regulations (Northern Ireland).
- The Water Fittings Regulations or Water byelaws in Scotland.
- The Current I.E.E. Wiring Regulations.

Where no specific instructions are given, reference should be made to the relevant British Standard Code of Practice.

In IE, the installation must be carried out by a Registered Gas Installer (RGII) and installed in accordance with the current edition of I.S.813 "Domestic Gas Installations", the current Building Regulations and reference should be made to the current ETCI rules for electrical installation.

Detailed recommendations are contained in the following British Standard Codes of Practice:

- BS 5440:1** Flues (for gas appliances of rated input not exceeding 70 kW).
- BS 5440:2** Ventilation (for gas appliances of rated input not exceeding 70 kW).
- BSEN 12828** Heating Systems in buildings: Design for water based heating systems.
- BSEN 12831** Heating Systems in buildings: Method for calculation of the design heat load.
- BSEN 14336** Heating Systems in buildings: Installation and commissioning of water based heating systems.
- BS 5546** Installation of gas hot water supplies for domestic purposes (2nd Family Gases)
- BS 6798** Installation of gas fired hot water boilers of rated input not exceeding 70 kW.
- BS 6891** Low pressure installation pipes.

Health & Safety Document No. 635.

The Electricity at Work Regulations.

The manufacturer's notes must NOT be taken, in any way, as overriding statutory obligations.

IMPORTANT. These appliances are CE certificated for safety and performance. It is, therefore, important that no external control devices, e.g. flue dampers, economisers etc., are directly connected to these appliances unless covered by these Installation and Servicing Instructions or as otherwise recommended by **Ideal Boilers** in writing. If in doubt please enquire.

Any direct connection of a control device not approved by **Ideal Boilers** could invalidate the certification and the normal appliance warranty. It could also infringe the Gas Safety Regulations and the above regulations.

1.6 SAFE HANDLING OF SUBSTANCES

No asbestos, mercury or CFCs are included in any part of the boiler or its manufacture.

1.7 LOCATION OF BOILER

The boiler must be installed on a flat and vertical internal wall, capable of adequately supporting the weight of the boiler and any ancillary equipment.

The boiler may be fitted on a combustible wall and insulation between the wall and the boiler is not necessary, unless required by the local authority.

For electrical safety reasons there must be no access available from the back of the boiler.

The boiler must not be fitted outside.

Timber Framed Buildings

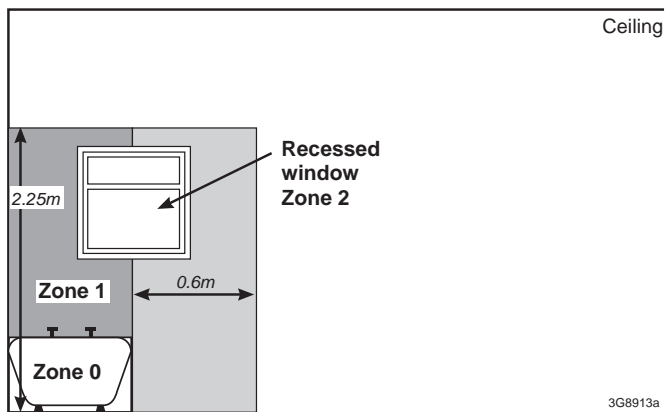
If the boiler is to be fitted in a timber Framed building it should be fitted in accordance with the Institute of Gas Engineering document IGE/UP/7 - Edition 2.

Bathroom Installations

This appliance is rated **IP20**.

The boiler may be installed in any room or internal space, although particular attention is drawn to the requirements of the current IEE (BS 7671) Wiring Regulations and the electrical provisions of the building regulations applicable in Scotland, with respect to the installation of the boiler in a room or internal space containing a bath or shower. For IE reference should be made to the current ETCI rules for electrical installations and I.S. 813.

If the appliance is to be installed in a room containing a bath or shower then, providing water jets are not going to be used for cleaning purposes (as in communal baths/showers), the appliance must be installed beyond Zone 2, as detailed in BS 7671.



Compartment Installations

A compartment used to enclose the boiler should be designed and constructed specially for this purpose.

An existing cupboard or compartment may be used, provided that it is modified for the purpose.

Braces for compartments must be easily removable for service access.

In both cases, details of essential features of cupboard / compartment design, including airing cupboard installation, are to conform to the following:

- BS 6798 (No cupboard ventilation is required - see 'Air Supply' for details).
- The position selected for installation MUST allow adequate space for servicing in front of the boiler.

- For the minimum clearances required for safety and subsequent service, see the wall mounting template and Section 1.16. In addition, sufficient space may be required to allow lifting access to the wall mounting plate.

1.8 GAS SUPPLY

The local gas supplier should be consulted, at the installation planning stage, in order to establish the availability of an adequate supply of gas. An existing service pipe must NOT be used without prior consultation with the local gas supplier.

The boiler MUST be installed on a gas supply with a governed meter only.

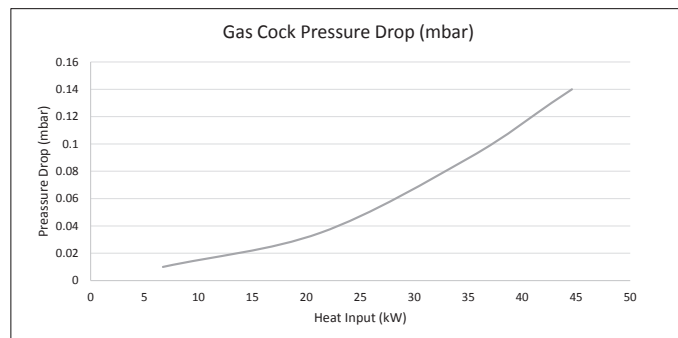
A gas meter can only be connected by the local gas supplier or by a Gas Safe Registered Engineer. In IE by a Registered Gas Installer (RGII).

An existing meter should be checked, preferably by the gas supplier, to ensure that the meter is adequate to deal with the rate of gas supply required.

It is the responsibility of the Gas Installer to size the gas installation pipework in accordance with BS 6891. Whilst the principle of the 1:1 gas valve ensures the Vogue range is able to deliver it is full output at inlet pressures as low as 14mb, other gas appliances in the property may not be as tolerant. When operating pressures are found to be below the minimum meter outlet of 19mb these should be checked to ensure this is adequate for correct and safe operation.

Allowing for the acceptable pressure loss of 1mb across the installation pipework, it can be assumed that a minimum permitted operating pressure of 18mb will be delivered to the inlet of the appliance. (Reference BS 6400-1 Clause 6.2 Pressure Absorption).

The external gas cock could further reduce the operating pressure when measured at its test point. The pressure drop is relative to the heat input to the boiler (kW), refer to graph below.



IMPORTANT.

Ensure all gas valve connections are gas tight with a gas soundness check up to the gas control valve.

Installation pipes must be fitted in accordance with BS 6891. In IE refer to IS.813.

The complete installation MUST be tested for gas tightness and purged as described in the above code.

1.9 FLUE INSTALLATION

Plumbing will occur at the terminal so terminal positions where this could cause a nuisance should be avoided.

The flue must be installed in accordance with the recommendations of BS 5440-1.

In IE refer to I.S. 813.

The following notes are intended for general guidance:

1. The boiler MUST be installed so that the terminal is exposed to external air.

SECTION 1 - GENERAL

2. It is important that the position of the terminal allows the free passage of air across it at all times.
3. Minimum acceptable spacing from the terminal to obstructions and ventilation openings are specified in Table 4.
4. Where the lowest part of the terminal is fitted less than 2m (6'6") above a balcony, above ground or above a flat roof to which people have access then the terminal **MUST** be protected by a purpose designed guard.

Terminal guards are available from boiler suppliers. (Ask for TFC flue guard model no. K6 - round, plastic coated). In case of difficulty contact:

TFC Group Ltd. Tel. + 44 (0) 01732 351 680
 Tower House, Vale Rise Fax. + 44 (0) 01732 354 445
 Tonbridge. Kent TN9 1TB www.tfc-group.co.uk

Ensure that the guard is fitted centrally.

5. The flue assembly shall be so placed or shielded as to prevent ignition or damage to any part of any building.
6. The air inlet/products outlet duct and the terminal of the boiler **MUST NOT** be closer than 25mm (1") to combustible material. Detailed recommendations on the protection of combustible material are given in BS 5440-1.

IMPORTANT. It is essential to ensure, in practice, that products of combustion discharging from the terminal cannot re-enter the building or buildings through any openings into the building such as ventilators, windows, doors, or other sources of natural air infiltration, such as forced ventilation openings etc.

If products of combustion re-entry is identified or suspected this should be immediately investigated and corrected following the guidance provided in the current Gas Industry Unsafe Situation Procedure.

Table 4 - Balanced Flue Terminal Position

Flue Terminal Positions	Min. Spacing*
1. Directly below, above or alongside an opening window, air vent or other ventilation opening.	300mm
2. Below guttering, drain pipes or soil pipes. <i>BS 5440-1</i>	25mm* 75mm
3. Below eaves. <i>BS 5440-1</i>	25mm* 200mm
4. Below balconies or a car port roof. <i>BS 5440-1</i>	25mm* 200mm
5. From vertical drain pipes or soil pipes. <i>BS 5440-1</i>	25mm* 150mm
6. From an internal or external corner or to a boundary along side the terminal. <i>BS 5440-1</i>	25mm* 200mm
7. Above adjacent ground, roof or balcony level.	300mm
8. From a surface or a boundary facing the terminal.	600mm
9. From a terminal facing a terminal.	1,200mm
10. From an opening in a car port (e.g. door or window) into dwelling.	1,200mm
11. Vertically from a terminal on the same wall.	1,500mm
12. Horizontally from a terminal on the wall.	300mm
Vertical Terminals	
13. Above the roof pitch with roof slope of all angles. Above flat roof.	300mm 300mm
14. From a single wall face. From corner walls.	300mm 300mm
15. Below velux window	2000mm
16. Above or side of velux window	600mm

* Only one reduction down to 25mm is allowable per installation otherwise BS 5440-1 dimensions must be followed.

1.10 TERMINAL

The terminal assembly can be adapted to accommodate various wall thicknesses. Refer to Section 1.16 .

1.11 AIR SUPPLY

It is **NOT** necessary to have a purpose-provided air vent in the room or internal space in which the boiler is installed. Neither is it necessary to ventilate a cupboard or compartment in which the boiler is installed, due to the low surface temperatures of the boiler casing during operation; therefore the requirements of BS 6798, Clause 12, and BS 5440:2 may be disregarded.

1.12 WATER CIRCULATION SYSTEM

IMPORTANT.

A minimum length of 1 metre of copper pipe **MUST** be fitted to both flow and return connections from the boiler before connection to any plastic piping.

The central heating system should be in accordance with BS 6798 and, in addition, for smallbore and microbore systems, BS 5449.

WATER TREATMENT - see Section 1.19

1.13 BOILER CONTROL INTERLOCKS

Central heating systems controls should be installed to ensure the boiler is switched off when there is no demand for heating, in compliance with Building Regulations.

Heating systems utilising full thermostatic radiator valve control of temperature in individual rooms should also be fitted with a room thermostat controlling the temperature in a space served by radiators not fitted with such a valve.

When thermostatic radiator valves are used, the space heating temperature control over a living / dining area or hallway having a heating requirement of at least 10% of the minimum boiler heat output should be achieved using a room thermostat, whilst other rooms are individually controlled by thermostatic radiator valves. However, if the system employs thermostatic radiator valves on all radiators, or two port valves, then a bypass circuit external to the boiler must be fitted with an automatic bypass valve to ensure a flow of water should all valves be in the closed position.

1.14 ELECTRICAL SUPPLY

WARNING.

This appliance must be earthed.

Wiring external to the appliance **MUST** be in accordance with the current I.E.E. (BS 7671) Wiring Regulations and any local regulations which apply. For IE reference should be made to the current ETCI rules for electrical installations.

The mains supply to the boiler and system wiring centre shall be through one common fused double pole isolator and for new heating systems, and where practical replacement installations, the isolator shall be situated adjacent to the appliance.

1.15 CONDENSATE DRAIN

Refer to Section 2.11

A condensate drain is provided on the boiler. This drain must be connected to a drainage point on site. All pipework and fittings in the condensate drainage system **MUST** be made of plastic - *no other materials may be used.*

IMPORTANT.

Installation must be in accordance with BS 6798.

The drain outlet on the boiler is sized for standard 21.5mm overflow pipe. It is a universal fitting to allow use of different brands of pipework.

SECTION 1 - GENERAL

1.16 BOILER DIMENSIONS, SERVICES & CLEARANCES

all dimensions in mm

The boiler connections are made on the boiler connection tails. Refer to Section 2.15.

The following minimum clearances must be maintained for operation and servicing.

Additional space will be required for installation, depending upon site conditions.

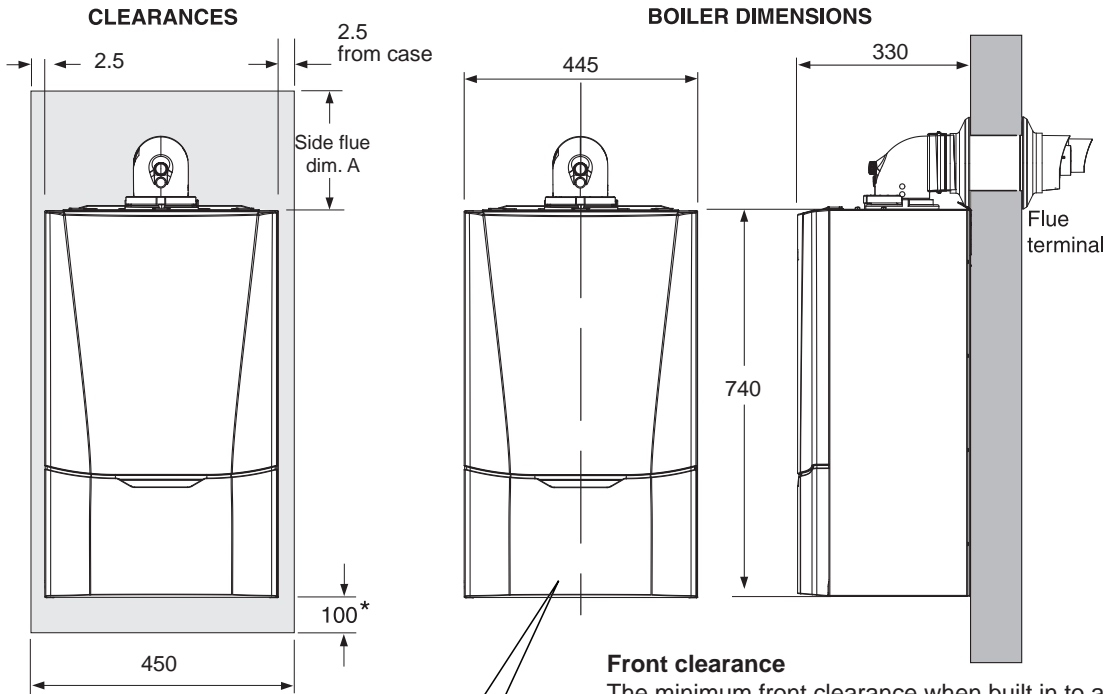
Side and Rear Flue

a. Provided that the flue hole is cut accurately, e.g. with a core drill, the flue can be installed from inside the building where wall thicknesses do not exceed 600mm. Where the space

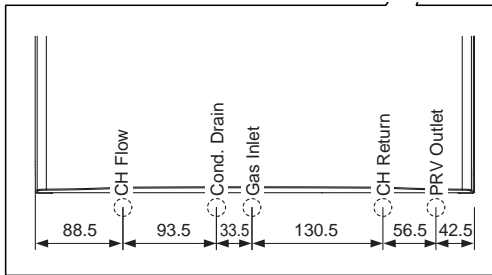
into which the boiler is going to be installed is less than the length of flue required the flue must be fitted from the outside.

Installation from inside ONLY

b. If a core boring tool is to be used inside the building the space in which the boiler is to be installed must be at least wide enough to accommodate the tool.



Inset: Water Connections and Gas Connection



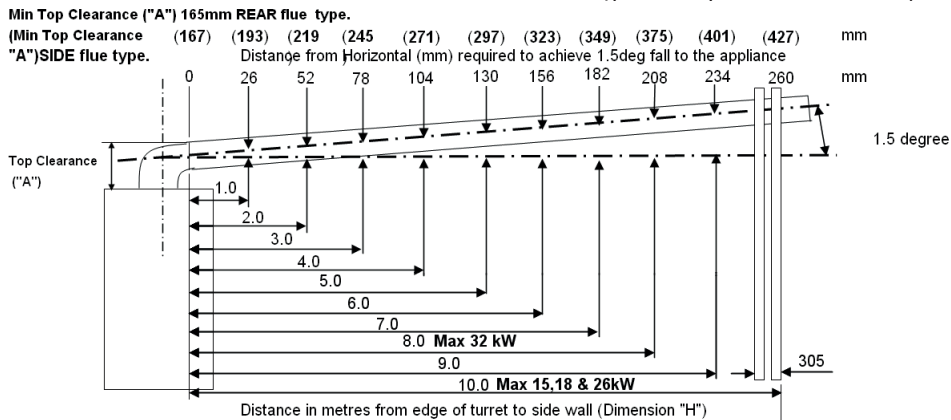
Front clearance

The minimum front clearance when built in to a cupboard is 5mm from the cupboard door but 450mm overall clearance is still required, with the cupboard door open, to allow for servicing.

* Bottom clearance

Bottom clearance after installation can be reduced to 5mm. This must be obtained with an easily removable panel, to enable the consumer to access the filling loop, and to provide the 100mm clearance required for servicing.

IMPORTANT Please ensure there is appropriate access to the system filter for draining, cleaning and dosing. For guidance please see Ideal System Filter installation



1. If the wall thickness is greater than 305mm then dimension "H" must be reduced by the difference in wall thickness.
2. For flue lengths requiring "D" pack extensions the flue must incline by 26mm per 1 Metre of flue length. No flue length greater than the maximum extensions shown above should be exceeded.

1.17 SYSTEM REQUIREMENTS

Central Heating

Notes

- a. The method of filling, refilling, topping up or flushing sealed primary hot water circuits from the mains via a temporary hose connection is only allowed if acceptable to the local water authority.
- b. Antifreeze fluid, corrosion and scale inhibitor fluids suitable for use with boilers having stainless steel heat exchangers may be used in the central heating system.

General

1. The installation must comply with all relevant national and local regulations.
2. The installation should be designed to work with flow temperatures of up to 86 °C.
3. All components of the system must be suitable for a working pressure of 3 bar and temperature of 110 °C. Extra care should be taken in making all connections so that the risk of leakage is minimised.

The following components are incorporated within the appliance:

- a. Circulating pump.
- b. Pressure relief valve, with a non-adjustable preset lift pressure of 3 bar.
- c. Pressure gauge, covering a range of 0 to 4 bar.
- d. A 10-litre expansion vessel, with an initial charge pressure of 0.75 bar.

4. **'Make-up' Water.** Provision must be made for replacing water loss from the system, either :

- a. From a manually filled 'make-up' vessel with a readily visible water level. The vessel should be mounted at least 150mm above the highest point of the system and be connected through a non-return valve to the system, fitted at least 150mm below the 'make-up' vessel on the return side of the radiators. **or**
- b. Where access to a 'make-up' vessel would be difficult, by pre-pressurisation of the system.

The maximum cold water capacity of the system should not exceed 159 litres, if not pressurised. This is the maximum system volume for the boiler expansion vessel. If the capacity of the vessel is not considered sufficient for this, or for any other reason, an additional vessel **MUST** be installed on the return to the boiler.

Guidance on vessel sizing is given in table opposite.

5. Filling

The system may be filled by the following method:

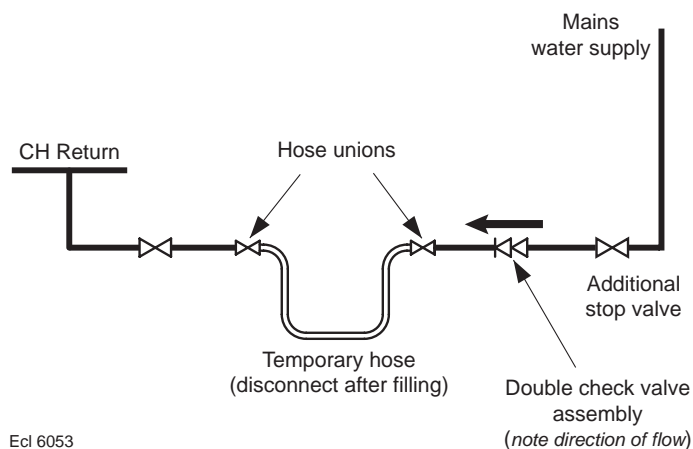
Through a temporary hose connection from a 'draw-off' tap, supplied from a service pipe under mains pressure. Where the mains pressure is excessive, a pressure reducing valve must be used to facilitate filling. When installing the filling device, it must be connected as below to fully comply with the water regulations.

This may involve the fitting of an additional WRAS approved isolator valve to the mains supply.

- i. Thoroughly flush out the whole system with cold water.
- ii. Fill and vent the system until the pressure gauge registers 1.5 bar, and examine for leaks.
- iii. Check the operation of the safety valve by raising the water pressure until the valve lifts. This should occur within 0.3 bar of the preset lift pressure.
- iv. Release water from the system until the minimum system design pressure is reached; 1.0 bar if the system is to be pre-pressurised.

Pressure relief valve setting	bar	3.0	
Vessel charge pressure	bar	0.5 to 0.75	
System pre-charge pressure	bar	None	1.0
System volume (litres)		Expansion vessel volume (litres)	
	25	1.6	1.8
	50	3.1	3.7
	75	4.7	5.5
	100	6.3	7.4
	125	7.8	9.2
	150	9.4	11.0
	175	10.9	12.9
	190	11.9	14.0
	200	12.5	14.7
	250	15.6	18.4
	300	18.8	22.1
For other system volumes multiply by the factor across		0.063	0.074

Model		15	18	26	32
Max CH output	kW	15	18	26	32
Water flow rate @ 20°C differential	l/min	10.8	12.9	18.7	23
Head available for system	m.wg	4.7	4.6	2.9	2
With Ideal System					
Filter & Valves	m.wg	4.6	4.4	2.5	1.4



Ecl 6053

1.18 SYSTEM BALANCING

The boiler does not normally need a bypass but at least some radiators on the heating circuit, of load of at least 10% of the minimum boiler output, must be provided with twin lockshield valves so that this minimum heating load is always available. See note regarding thermostatic radiator valves on Section 1.13.

Note. *Systems incorporating zone valves which could completely cut off the flow through the system must also include a bypass.*

BALANCING

1. Set the programmer to ON.

Close the manual or thermostatic valves on all radiators, leaving the twin lockshield valves (on the radiators referred to above) in the OPEN position.

Turn up the room thermostat and adjust the lockshield valve to give an uninterrupted flow through the radiator.

These valves should now be left as set.

2. Open all manual or thermostatic radiator valves and adjust the lockshield valves on the remaining radiators, to give around 20°C temperature drop at each radiator.
3. Adjust the room thermostat and programmer to NORMAL settings.

4. *Under no circumstances should the boiler be fired before the system has been thoroughly flushed.*

For further information contact:

Fernox Cookson Electronics
Forsyth Road, Sheerwater, Woking, Surrey GU21 5RZ
+44 (0) 8706 015000

Sentinel Performance Solutions
The Heath Business & Technical Park
Runcorn, Cheshire WA7 4QX
Tel: 0800 389 4670

Scalemaster Water Treatment Products
Emerald Way, Stone, Staffordshire ST15 0SR
Tel: +44 (0) 1785 811636

Calmag Ltd.
Unit 3-6, Crown Works, Bradford Road,
Sandbeds, Keighley, West Yorkshire BD20 5LN
Tel: +44 (0) 1535 210320

Adey Professional Heating Solutions
Gloucester Road, Cheltenham GL51 8NR
Tel: +44 (0) 1242 546700

1.19 WATER TREATMENT

CENTRAL HEATING

The Vogue Max System range of boilers have a stainless steel heat exchanger.

IMPORTANT.

The application of any other treatment to this product may render the guarantee of Ideal Boilers Invalid.

The Ideal System Filter will aid against the build up of iron oxide debris, however the below water treatment is also recommended by Ideal Boilers.

Ideal Boilers recommend Water Treatment in accordance with the Benchmark Guidance Notes on Water Treatment in Central Heating Systems.

If water treatment is used **Ideal Boilers** recommend only the use of SCALEMASTER SM1-PRO, FERNOX, MBI, ADEY MC1 or SENTINEL X100 inhibitors and associated water treatment products, which must be used in accordance with the manufacturers' instructions.

Notes.

1. *It is most important that the correct concentration of the water treatment products is maintained in accordance with the manufacturers' instructions.*
2. *If the boiler is installed in an existing system any unsuitable additives MUST be removed by thorough cleansing. BS 7593 details the steps necessary to clean a domestic heating system.*
3. *In hard water areas, treatment to prevent lime scale may be necessary - the use of artificially softened water is permitted when filling the system, where the cold supply is fitted with a water softening device.*

SECTION 2 - INSTALLATION

2.1 BOILER ASSEMBLY - Exploded View

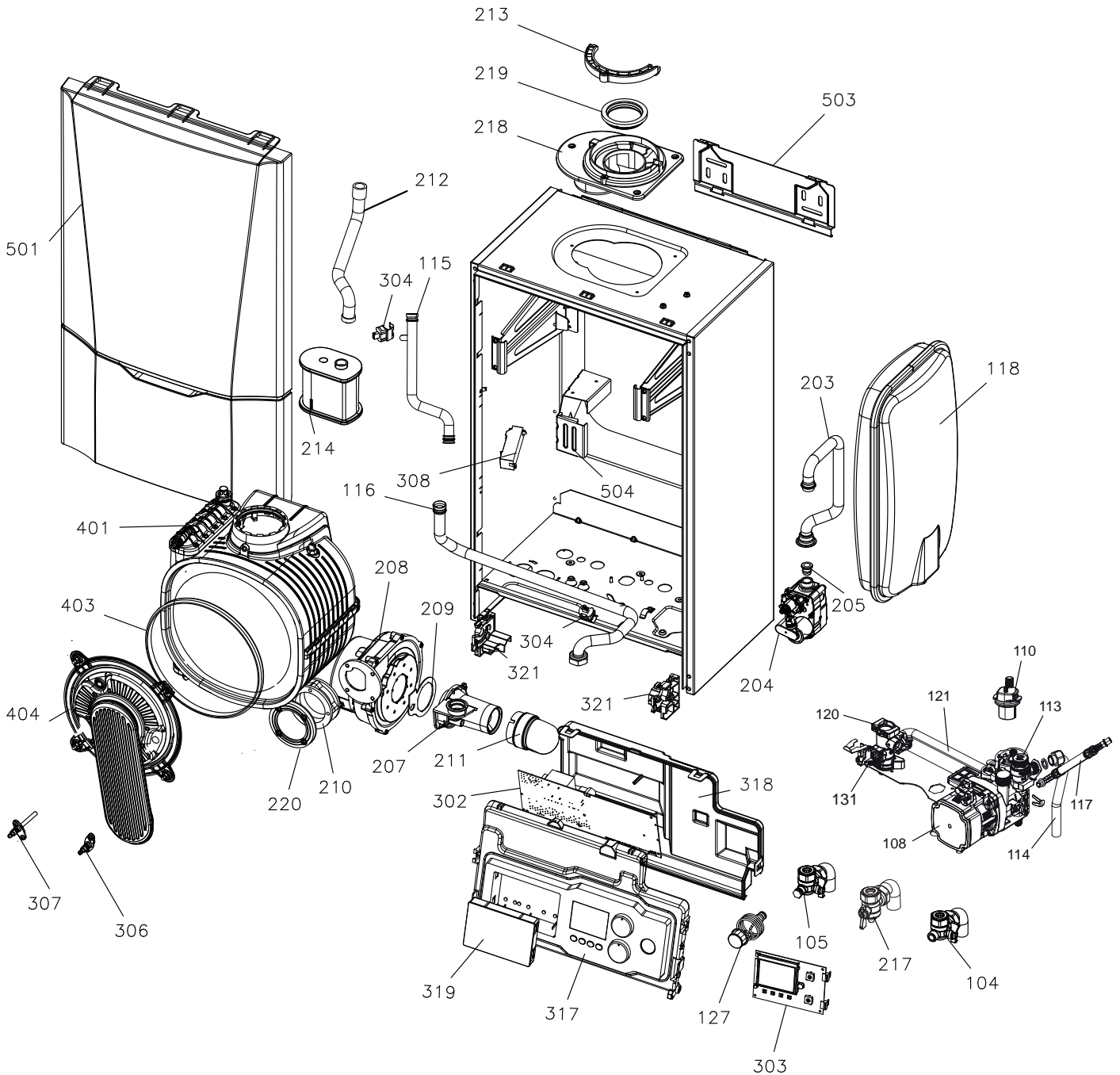
Note that item numbers are linked to the spares list

- 104 CH Return Valve
- 105 CH Flow Valve
- 108 Pump Head
- 110 Auto Air Vent
- 113 Pressure Relief Valve
- 114 Pipe - PRV Outlet
- 115 Pipe - Flow
- 116 Pipe - Return
- 117 Pipe - Expansion Vessel
- 118 Expansion Vessel
- 120 Flow Group Manifold
- 121 CH Bypass

- 127 Pressure Gauge
- 131 CH Water Pressure Sensor
- 203 Pipe - Gas Inlet
- 204 Gas Valve
- 205 Injector - Gas
- 207 Venturi
- 208 Fan
- 209 Gasket - Fan/Venturi
- 210 Fan Adaptor
- 211 Venturi Deflector
- 212 Condensate Hose
- 213 Flue Turret Clamp

- 214 Siphon trap
- 217 Gas Cock
- 218 Flue Manifold
- 219 Flue Manifold Seal
- 220 Fan Adaptor Seal
- 302 Primay PCB
- 303 CUI Board
- 304 Thermistor (Flow & Return)
- 306 Electrode Ignition
- 307 Electrode Detection
- 308 Ignitor Unit
- 317 Control Box Front

- 318 Control Box Lid
- 319 Programmer Blank Insert
- 321 Control Box Hinges
- 401 Heat Engine
- 403 Heat Engine Gasket
- 404 Burner Door
- 501 Front Panel/Door
- 503 Wall Mounting Plate



Model shown - S32

SECTION 2 - INSTALLATION

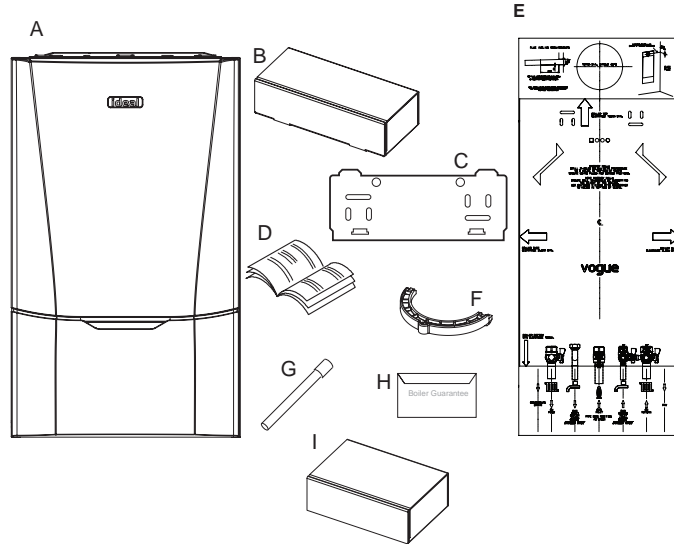
2.2 UNPACKING

The boiler is supplied fully assembled in Pack A. A telescopic or non-telescopic flue assembly for rear or side flue outlet, in Pack B is supplied as a separate order.

Unpack and check the contents.

Pack A Contents

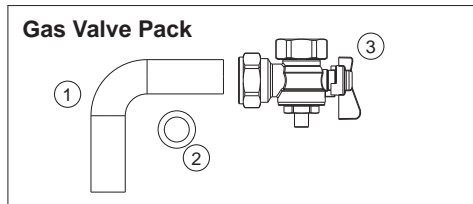
- A Boiler
- B Hardware Pack Box
- C Wall Mounting Plate
- D These Installation Instructions
- E Wall Mounting Template
- (located on internal protective packaging)
- F Turret Clamp
- G Pressure Relief Valve Drain Pipe
- H Boiler Guarantee & Registration Pack
- I Ideal System Filter



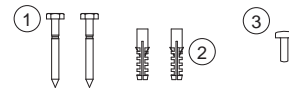
HARDWARE PACK CONTENTS

Gas Valve Pack

1. Pipe - Gas Inlet
2. Washer - Gas (blue)
3. Gas Cock

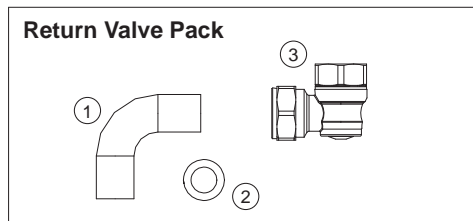


Accessory Pack



Return Valve Pack

1. Pipe CH Return
2. Washer CH
3. Valve Return



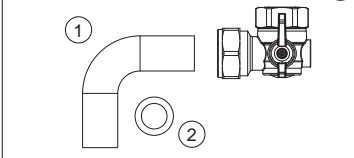
Flow Valve Pack

Accessory Pack

1. Screw (x2)
2. Wallplug (x2)
3. Turret Clamp Screw (spare) (x1)

Flow Valve Pack

1. Pipe CH Flow
2. Washer CH
3. Valve Flow



continued

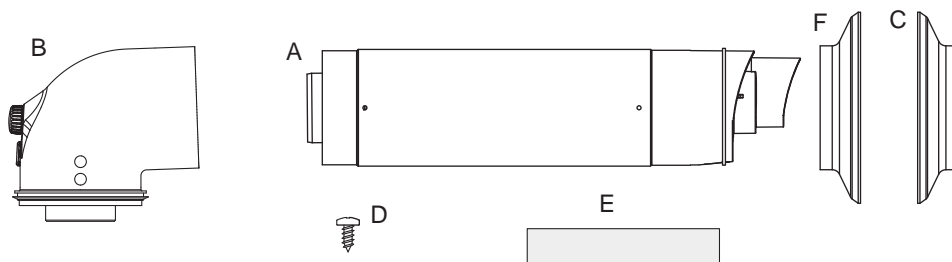
UNPACKING CONT'D

Note. This flue system incorporates a removable flue outlet nose that utilises a push fit location system. This enables the installation of deflector, high level or balcony outlet flue kits without the removal of the whole 'B' pack terminal. The appliance must not be operated without the desired outlet nose correctly fitted in place.

Note. Location dimples must be aligned with terminal mounting frame.

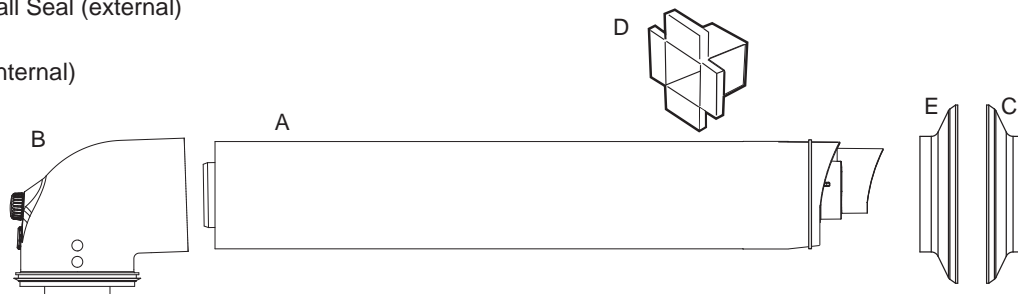
Pack B Contents Telescopic

- A Telescopic Flue Terminal
- B Flue Turret
- C Rubber Terminal Wall Seal (external)
- D Screw
- E Sealing Tape
- F Wall Seal - White (internal)



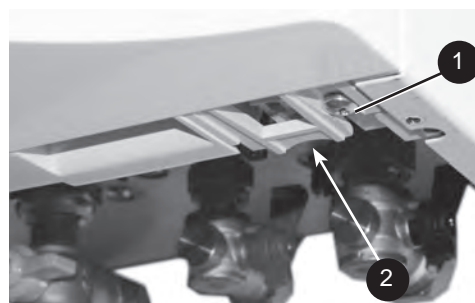
Pack B Contents Non-Telescopic

- A Flue Terminal
- B Flue Turret
- C Rubber Terminal Wall Seal (external)
- D Cutting Aid
- E Wall Seal - White (internal)



2.3 FRONT PANEL REMOVAL

1. Loosen the 2 screws retaining the front panel at the underside of the boiler.
2. Release catches at rear of door by pulling downwards.
3. Pull the underside front panel forward then lift upwards to remove.

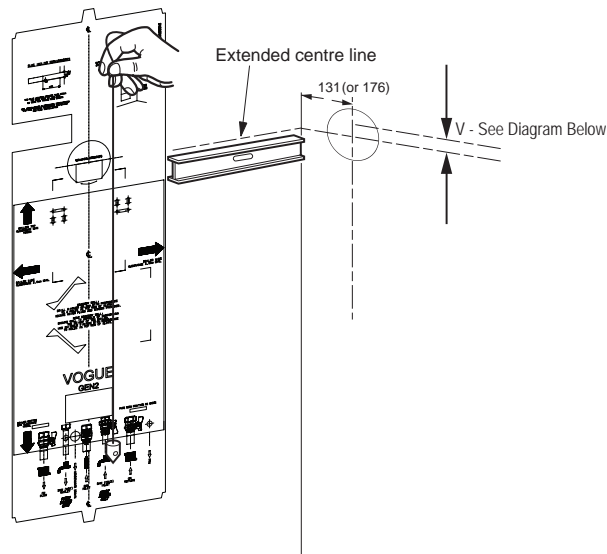


2.4 WALL MOUNTING TEMPLATE

The wall mounting template is located on the internal protective packaging. The template shows the position of the fixing and rear flue centre holes for a standard installation

Care MUST be taken to ensure the correct holes are drilled.

1. Tape template into the required position, ensuring its squareness by hanging a plumbline as shown.
2. If fitting a side flue, extend the flue centre line onto the side by **131mm** on a standard wall fix or **176mm** if using a stand-off bracket.
3. Mark the following on to the wall:
 - a. The selected group of wall mounting screw holes.
 - b. The centre position of the flue duct. Marking both the centre and the circumference of the flue duct.
4. Remove the template plate from the wall.

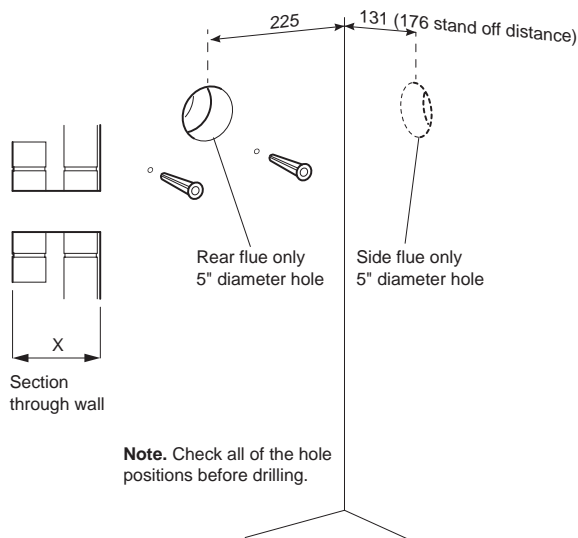


2.5 PREPARING THE WALL

IMPORTANT.

Ensure that, during the cutting operation, masonry falling outside of the building does not cause damage or personal injury.

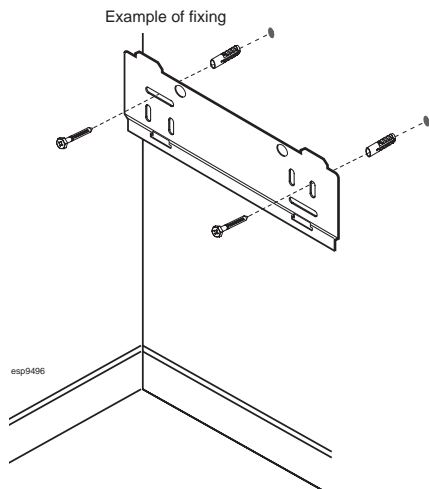
1. Cut the flue hole (preferably with a 5" core boring tool), ensuring that the hole is square to the wall. Both wall faces immediately around the cut hole should be flat.
2. Drill 2 mounting holes (marked from template) with a 7.5mm / 8mm masonry drill and insert the plastic plugs, provided, for the wall mounting plate.
3. Locate 2 No.14 x 50mm screws in the wall mounting plate (one at each side, in any of the 3 holes provided at each side) and screw home. Ensure mounting bracket is level.



2.6 FITTING THE WALL MOUNTING PLATE

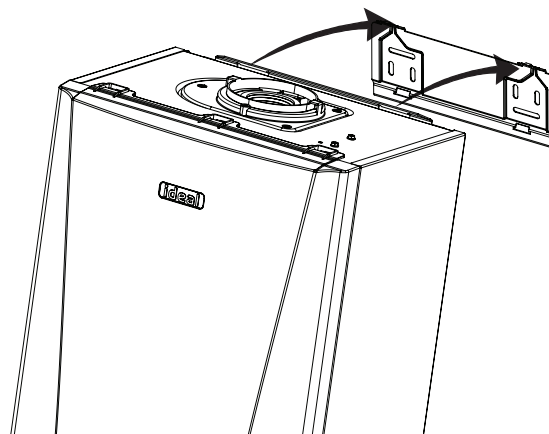
Screw the wall mounting plate to the wall using 2 wall plugs (previously fitted) with the 2 screws provided.

Choose one of the 2 sets of slots in left and right bank. Ensuring that at least one of the screws is fitted into a top slot and the mounting bracket is level.



2.7 MOUNTING THE BOILER

1. Ensure the plastic plugs are removed from both the CH and DHW connections before mounting the boiler.
2. Lift the boiler onto the wall mounting plate (refer to the Introduction section for safe handling advice), locating it over the two tabs.



SECTION 2 - INSTALLATION

2.8 DETERMINING THE FLUE LENGTH AND FLUE PACKS REQUIRED

IMPORTANT. The boiler must be installed in a vertical position in accordance to the installation instructions.

FLUE KITS

Telescopic Flue 'B' Pack - contains: Flue turret, telescopic flue incorporating a terminal, rubber wall seal and instructions

Horizontal Flue Terminal (600mm long) 'B' Pack - contains: Flue turret, non telescopic single piece flue incorporating a terminal, rubber wall seal and instructions.

Horizontal Flue Terminal (1000mm long) 'B' Pack - Flue turret, telescopic flue incorporating a terminal, rubber wall seal and instructions.

Note. If 'B' packs are used on their own (either 1 piece or telescopic), then they can be fitted horizontally as the flue inside is designed to slope 1.5 degrees.

'D' Pack - contains: 1 metre length of flue pipe (Functional length 950mm), 1 support bracket and instructions.

When extension 'D' Packs are used the flue duct must incline 1.5 degrees away from the appliance, to allow the condensate to drain back to the boiler and out of the condensate drain. It is recommended that a support bracket is fitted on every 1 metre of pipe work used and the bracket is located as close to the collar as possible. The bracketing must ensure a 1.5 degree fall back to the appliance.

Optional Flue Finishing Kit - UIN 155988 & Concentric Flue Screw Retaining Kit (Optional Kit of mechanical fixing of flue joints)

Only use water as a lubricant during assembly.

The 'B' pack terminal is classed as part of the maximum flue length.

This flue system incorporates a removable flue outlet nose that utilises a push fit location system. This enables the installation of deflector, high level or balcony flue kits without the removal of the whole 'B' pack terminal. The appliance must not be operated without the desired outlet nose correctly fitted in place, ensuring the side location dimples are in line with the mounting face allowing the correct sealing of the components.

It is IMPORTANT that all attachments are fitted in accordance to the installation instructions provided with them.

The TURRET supplied in the 'B' Pack has an upper combustion sample point with a screw cap seal and a lower air sample point with an air stopper seal. Ensure all caps & seals are in place.

Additional Termination Kits available for use with these 'B' packs.

Flue Deflector Kit	The resistance is the equivalent of 1 metre of flue pipe and therefore must be deducted from any maximum flue length
High Level Flue Outlet Kit	The maximum permissible concentric flue length when using a standard (500mm) kit is 4.5 metres
Balcony Flue Outlet Kit	The maximum permissible concentric flue length when using this kit is dependant on the length of the balcony flue outlet run which combined with the concentric run must not exceed the maximum flue length requirement of the appliance it is to be fitted to

Total Maximum Permissible Horizontal Concentric Flue Length combining both 'B' Packs and 'D' Packs
(Measured from centreline of the turret to the outside of the wall terminal)

15, 18 & 26 kW appliances	Total Maximum: 10 metres - minus any flue kit options or bends
32kW Appliances	Total Maximum: 8 metres - minus any flue kit options or bends

Total Maximum permissible Vertical Flue Length combining both Roof Terminal and 'D' Packs

15, 18, 26 & 32kW Appliances	Total Maximum: 10 Metres - minus any bends
------------------------------	--

90° Elbow Kit 60/100 - (Equivalent flue length resistance = **1M**)

45° Elbow Kit 60/100 - (Equivalent flue length resistance = **0.6M**)

Minimum Horizontal Flue Lengths (Centre line of turret to outside of wall terminal)

Telescopic terminal = 350mm

One piece terminal = 285mm

Wall Thickness

Std Metric Brick 102.5mm wide

'B' Pack Flue Type	Minimum permissible Wall Thickness			Maximum permissible Wall Thickness		
	Rear Flue	Rear Flue + Std-Off	Side Flue	Rear Flue	Rear Flue + Std-Off	Side Flue
Horizontal Flue Terminal (600mm long) B Pack	154	102.5	102.5	527	482	433
Telescopic Flue B Pack	265	220	171	478	433	384
Horizontal Flue Terminal (1000mm long) B Pack	577	532	483	704	749	700
Horizontal Flue Terminal (1000mm long) B Pack cut 75mm	502	457	498	719	674	625

For Flue lengths between 658 & 708 use a Horizontal Flue Terminal (1000mm long) B Pack, cut 75mm off the end of the terminal section of the telescopic flue only.

SECTION 2 - INSTALLATION

DETERMINING THE FLUE LENGTH AND FLUE PACKS REQUIRED, CONT'D

FIGURE 1

Note. Maximum permissible flue length is measured from centre line of appliance flue outlet to outside wall face.

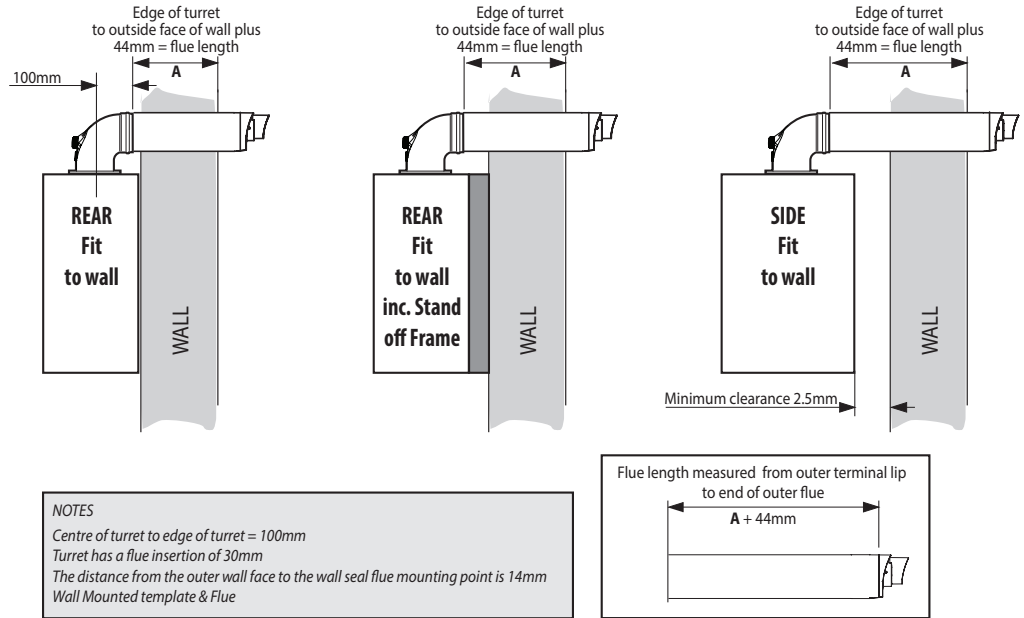


FIGURE 2

Actual maximum flue length requirements (outside edge of turret to out side face of wall plus 44mm (Cut Length))

	Minimum & Maximum finished flue lengths obtainable (dimension 'A' +44mm)							
	Horizontal Flue Terminal (600mm long) B Pack		Telescopic Flue B Pack		Horizontal Flue Terminal (1000mm long) B Pack (Telescopic)		Horizontal Flue Terminal (1000mm long) B Pack (Telescopic) Cut 75mm	
	Minimum	Maximum	Minimum	Maximum	Minimum	Maximum	Minimum	Maximum
B Pack (Standard)	233	602	340	553	652	869	577	794
Plus 1 (1m D pack)	1183	1552	1290	1503	1602	1819	1527	1744
Plus 2 (1m D pack)	2133	2502	2240	2453	2552	2769	2477	2694
Plus 3 (1m D pack)	3083	3452	3190	3403	3502	3719	3427	3644
Plus 4 (1m D pack)	4033	4402	4140	4353	4452	4669	4377	4594
Plus 5 (1m D pack)	4983	5352	5090	5303	5402	5619	5327	5544
Plus 6 (1m D pack)	5933	6302	6040	6253	6352	6569	6277	6494
Plus 7 (1m D pack)	6883	7252	6990	7203	7302	7519	7227	7444
Plus 8 (1m D pack)	7833	8202	7940	8153	8252	8469	8177	8394
Plus 9 (1m D pack)	8783	9152	8890	9103	9202	9419	9127	9344
Plus 10 (1m D pack)	9733	N/A	9840	10000	N/A	N/A	N/A	N/A

Max output 32 kW
Max output 15, 18, & 26 kW

Note; Telescopic flue B Pack or attached "D" pack extensions do not need to be cut between minimum and maximum values shown above (except where specified). Horizontal Flue Terminal (600mm long) B Pack flue will require cutting on values below maximum values shown above.

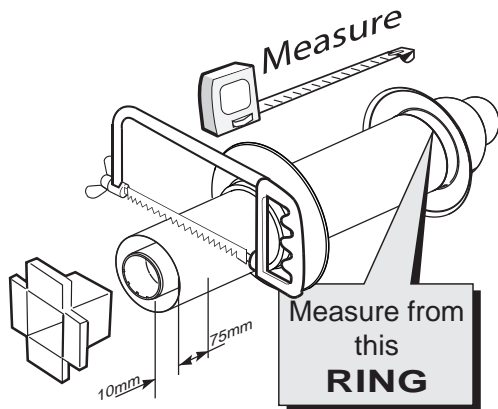
2.9 CUTTING & SETTING THE FLUE LENGTH

TELESCOPIC FLUES

TELESCOPIC FLUE B PACK SHOULD ONLY BE ADJUSTED FOR USE WITHIN ITS SPECIFIED RANGE AND MUST NOT BE CUT

HORIZONTAL FLUE TERMINAL (1000MM LONG) B PACK (TELESCOPIC) MUST ONLY BE CUT IF REQUIRED FLUE LENGTHS ARE BETWEEN **602 & 652MM**. THIS WILL REQUIRE 75MM TO BE CUT OFF THE TERMINAL END OF THE 1000MM TELESCOPIC FLUE.

ALL OTHER LENGTHS OBTAINED USING "D" PACK EXTENSIONS IN FLUE LENGTH TABLE 1, COLUMN "HORIZONTAL FLUE TERMINAL (1000MM LONG) B PACK CUT 75MM" (TELESCOPIC) SHOULD HAVE THE 75MM CUT OFF THE "D" PACK EXTENSION AND NOT TELESCOPIC FLUE

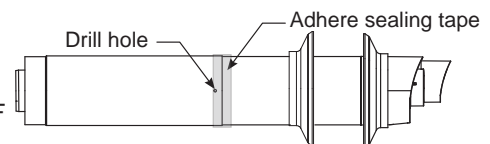


CUT 75MM OFF HORIZONTAL FLUE TERMINAL 1000MM LONG B PACK (TELESCOPIC)

1. Measure cut flue length (A+44mm). (If required telescopic length is not between 658 and 708 then proceed to set flue 7b).
2. Remove telescopic end piece from the flue body and set aside.
3. Mark the circumference 75mm from the open end of the outer flue.
4. Cut along the 75mm mark cutting **only the outer flue** ensuring the cut is square.
5. Dress the cut end to make sure all burr is removed and the cut edge is in its original shape.
6. Measure 20mm from the newly cut edge of the outer flue, place a mark at the top of the flue approximately 20mm wide & write stop the terminal side of the line.
7. Mark the inner tube 10mm longer than the outer tube around its circumference and cut following the mark to ensure its cut square
8. Remove all burrs and place a chamfer on the outer edge to aid assembly.
9. Re-assemble telescopic section.

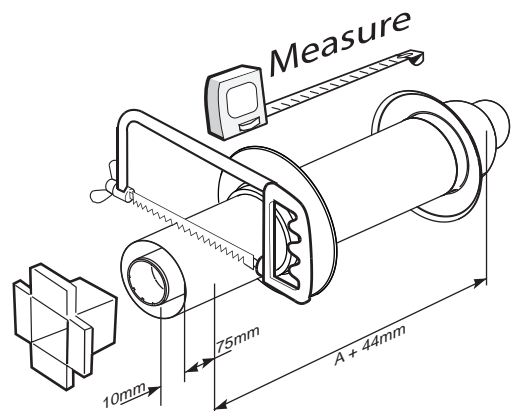
SETTING TELESCOPIC FLUE B PACK

1. Measure the required flue length (A+44mm).
2. Measure from the outer terminal lip to end of outer flue. Pull apart flue until desired length is achieved. **ENSURE THE STOP MARK IS NOT VISIBLE, IF IT IS, THE FLUE IS TOO SHORT AND SHOULD NOT BE USED.**
3. Check that both flue seams are at the top and the outlet terminal is upper most.
4. Drill a 3.5mm hole through one of the 2 outer side holes into the inserted outer flue. Take care not to pierce the inner plastic flue.
5. Seal the joint on the outer air duct with the tape provided.
6. Fit internal and external wall seals (see installing flue)



CUTTING HORIZONTAL FLUE TERMINAL (600MM LONG) B PACK

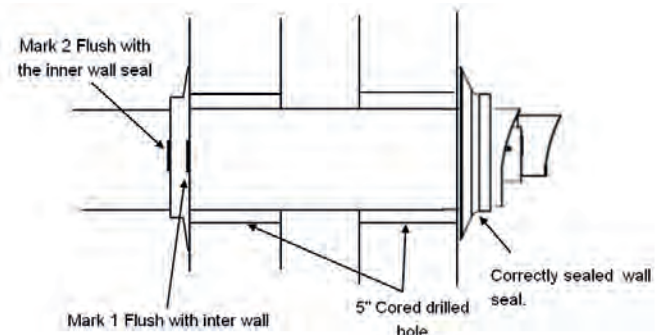
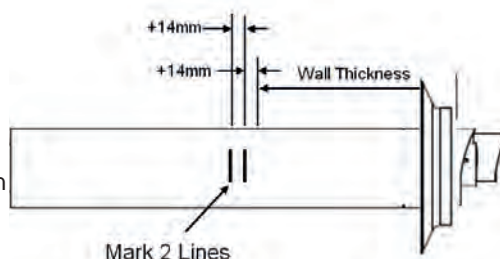
1. Measure the required cut flue length (A+44mm). If inside the dimensions shown in Figure 2 "1 Piece 600mm" proceed.
2. Measure from the outer terminal lip to end of outer flue. Mark the required cut length (A+44) around the circumference of the outer flue and cut following the mark to ensure it is cut square.
3. Dress the cut end to make sure all burrs are removed and the cut edge is in its original shape.
4. Mark the inner tube 10mm longer than the outer tube around its circumference and cut following the mark to ensure it is cut square.
5. Remove all burrs and place a light chamfer on the outer edge to aid assembly.



2.10 INSTALLING THE FLUE

FITTING FLUE THROUGH THE WALL

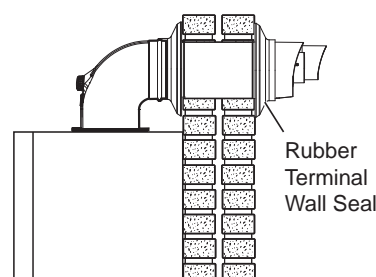
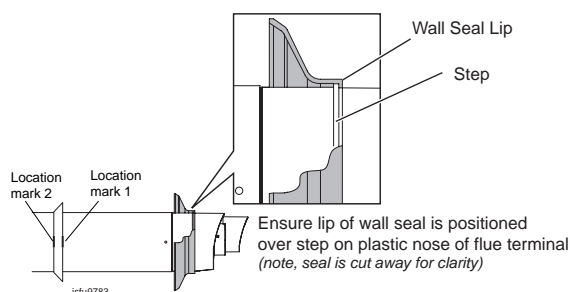
1. Measure wall thickness and add 14mm.
2. Measure from the outer terminal lip towards outer flue, place a small location mark at the dimension acquired at point 1.
3. Add a further 14mm to the dimension, obtain at item 1 and place an additional small location mark.
4. Fit external black wall seal ensuring the outer lip is in contact with the lip you have been measuring from (see fig 1)
5. Fit the internal wall seal approximately 65mm before the outer of the 2 location marks.
6. For an internal fit place flue terminal in the centre of the 5" drilled hole in the wall. Apply pressure and lightly move the flue left to right or up and down. This will cause the outer flange to fold in and allow the flue to pass through the wall.
7. Push through a further 65mm or until the inner flange is pressed against the inner wall. This will allow the outer flange to return to its original shape.
8. Pull back the flue until the first of the 2 location marks re level with the internal face of the wall.



Note. If the 2 location marks are not visible then the flue is not pulled back far enough to obtain the correct seal. If the 1st location mark has passed the face of the wall the flue has been pulled too far back and the outer wall seal will have been dislodged from its mounting and will need to be refitted.

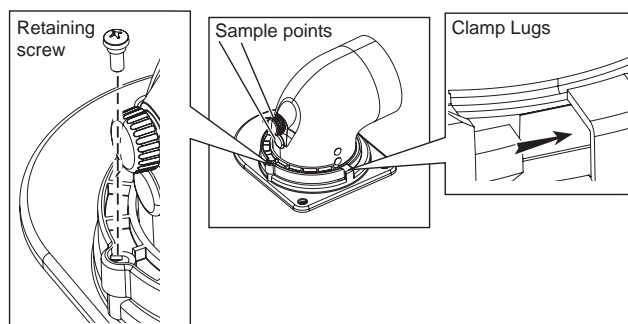
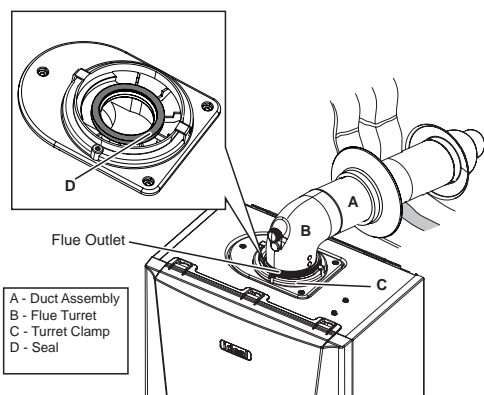
9. When 1st mark is in line with the wall, whilst holding the flue firmly, push the white wall sealing flange to the wall until the 2nd of the two marks is just visible. If the last location mark is clearly passed the white inner wall seal then the outer wall seal will have been dislodged from its mounting and will need to be re-fitted.
10. Ensure the seam and the outlet terminal are at the top and fitted as shown.

Note. If less than 50% of the length of the flue is internal the flue should be fitted from outside.

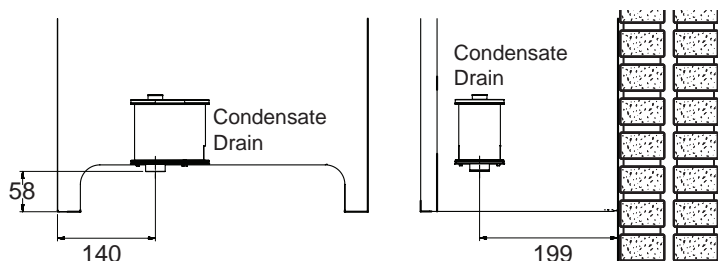


FITTING THE TURRET

1. Ensure the rubber seal is fitted correctly on the appliance manifold and that all flue seals are undamaged.
2. Hold the flue firmly and push the turret on until it has travelled 30mm on to the flue pipe and is fully engaged. Make sure the flue has not rotated or moved forward during fitting and the flue seam is upper most.
3. Push the turret into the manifold ensuring the upper plastic lip is flush with the top of the manifold.
4. Fully engage the clamp location section into the manifold location holes. Rotate down on to turret flange.
5. Secure clamp to appliance using securing screw.
6. Ensure all sample points are accessible and all sample plugs and caps are fitted.



2.11 CONDENSATE DRAIN



Condensate Pump

Where gravity discharge to an internal termination is not physically possible or where very long internal pipe runs would be required to reach a suitable discharge point, a condensate pump of a specification recommended by the boiler or pump manufacturer should be used terminating into a suitable internal foul water discharge point such as an internal soil and vent stack or internal kitchen or bathroom waste pipe etc. (fig 3).

External Drain Connections

The use of an externally run condensate drainage pipe should only be considered after exhausting all internal termination options as described previously. An external system must terminate at a suitable foul water discharge point or purpose designed soak away. If an external system is chosen then the following measures must be adopted:

The external pipe run should be kept to a minimum using the most direct and "most vertical" route possible to the discharge point, with no horizontal sections in which condensate might collect.

- For connections to an external soil/vent stack see Fig 4. Insulation measures as described should be used.
- When a rainwater downpipe is used, an air break must be installed between the condensate drainage pipe and the downpipe to avoid reverse flow of rainwater into the boiler should the downpipe become flooded or frozen, see Fig 5.
- Where the condensate drain pipe terminates in a purpose designed soak away (see BS 6798) any above ground condensate drain pipe sections should be run and insulated as described above. See Fig 6.
- Where the condensate drain pipe terminates over an open foul drain or gully, the pipe should terminate below the grating level, but above water level, to minimise "wind chill" at the open end. The use of a drain cover (as used to prevent blockage by leaves) may offer further prevention from wind chill.

This appliance is fitted with a siphonic 75mm condensate trap system that requires filling before operating the appliance for the 1st time or after maintenance.

All condensate pipework should conform to the following:

- a. Where a new or replacement boiler is being installed, access to an internal 'gravity discharge' termination should be one of the main factors considered in determining boiler location.
- b. Plastic with push fit or solvent connections.
- c. Internal plastic pipe work a minimum of 19mm ID (typically 22mm OD)
- d. External plastic pipe must be a minimum of 30mm ID (typically 32 OD) before it passes through the sleeved wall.
- e. All horizontal pipe runs, must fall a minimum of 45mm per metre away from the Boiler.
- f. External & unheated pipe work should be kept to a minimum and insulated with Class "O" waterproof pipe insulation.
- g. All installations must be carried out in accordance to the relevant connection methods as shown in the "Condensate installation diagrams" & BS 6798.
- h. Pipe work must be installed so that it does not allow spillage into the dwelling in the event of a blockage (through freezing)
- i. All internal burrs should be removed from the pipe work and any fittings.

In order to minimise the risk of freezing during prolonged very cold spells, one of the following methods of terminating condensate drainage pipe should be adopted.

Internal Drain Connections

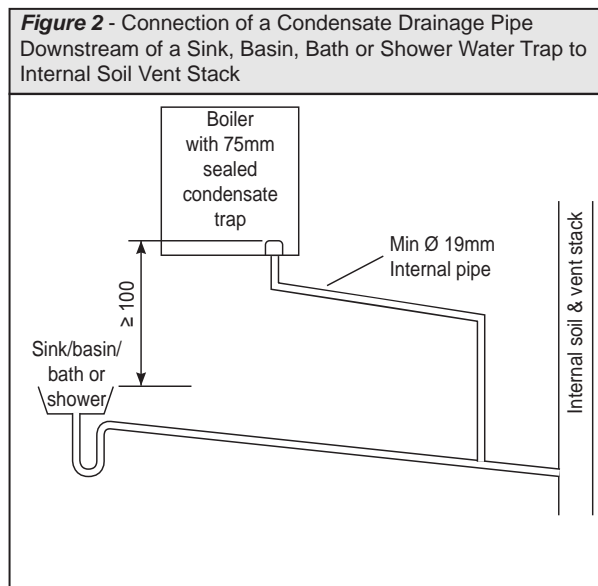
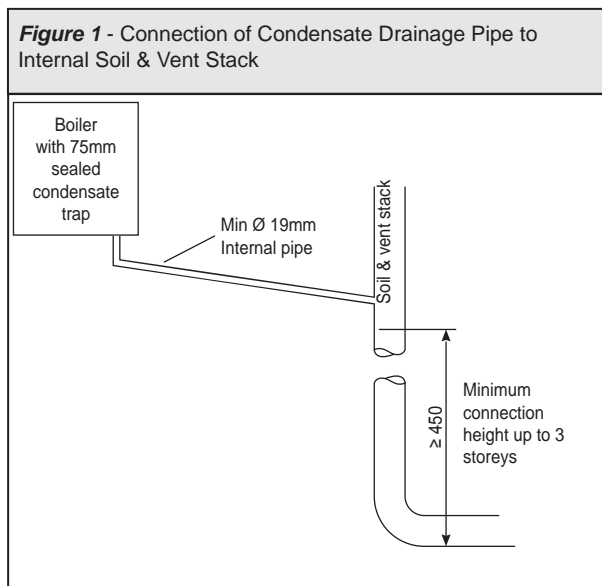
Wherever possible, the condensate drainage pipe should be routed to drain by gravity to a suitable internal foul water discharge point such as an internal soil and vent stack or kitchen or bathroom waste pipe etc. See Figs 1 and 2.

Note. For installations where the PRV is required to terminate into the Condensate Drain Pipe, a proprietary termination and back flow prevention kit **MUST** be purchased separately from a plumbers merchant. The installation instructions for the kit **MUST** be followed.

Unheated Internal Areas

Internal condensate drain pipes run in unheated areas, e.g. lofts basements and garages, should be treated as external pipe.

Ensure the customer is aware of the effects created by a frozen condensate and is shown where this information can be found in the user manual.



continued

SECTION 2 - INSTALLATION

CONDENSATE DRAIN - CONT'D

Figure 3 - Connection of a Condensate Pump Typical Method (see manufacturer's detailed instructions)

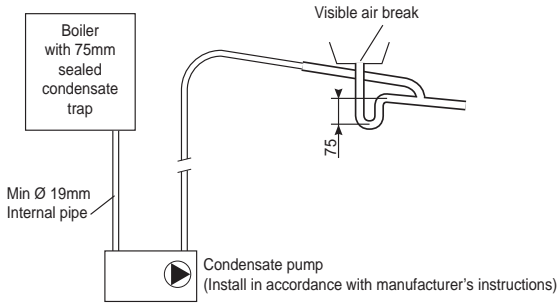


Figure 4 - Connection of condensate Drainage Pipe to External Soil & Vent Stack

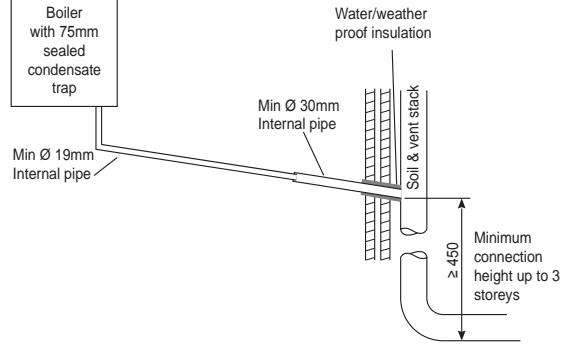


Figure 5 - Connection of a Condensate Drainage Pipe to an External Rainwater Downpipe (only combined foul/rainwater drain)

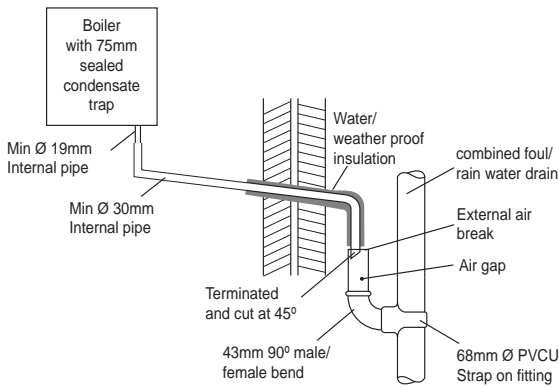
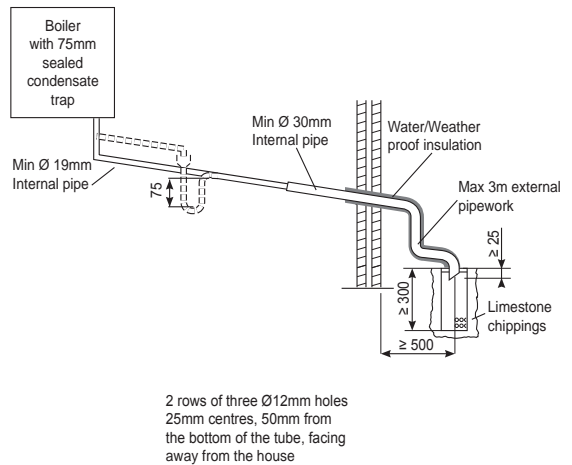


Figure 6 - Connection of a Condensate Drainage Pipe to an External Purpose Made Soak Away.



2.12 FITTING THE OPTIONAL ROOF FLUE KIT (Flat or Pitched)

Note.

A flat or pitched roof flashing plate (not supplied) is required before proceeding with the installation of this kit.

This kit is suitable for both flat and pitched roof terminations, using a concentric flue to run vertically from the top of the boiler and terminating above roof level.

Connection to the top of the boiler is made using a separately supplied vertical connector.

WEATHER PROOFING

Where the flue passes through the roof line an adequate seal must be made. This is achieved by using either:

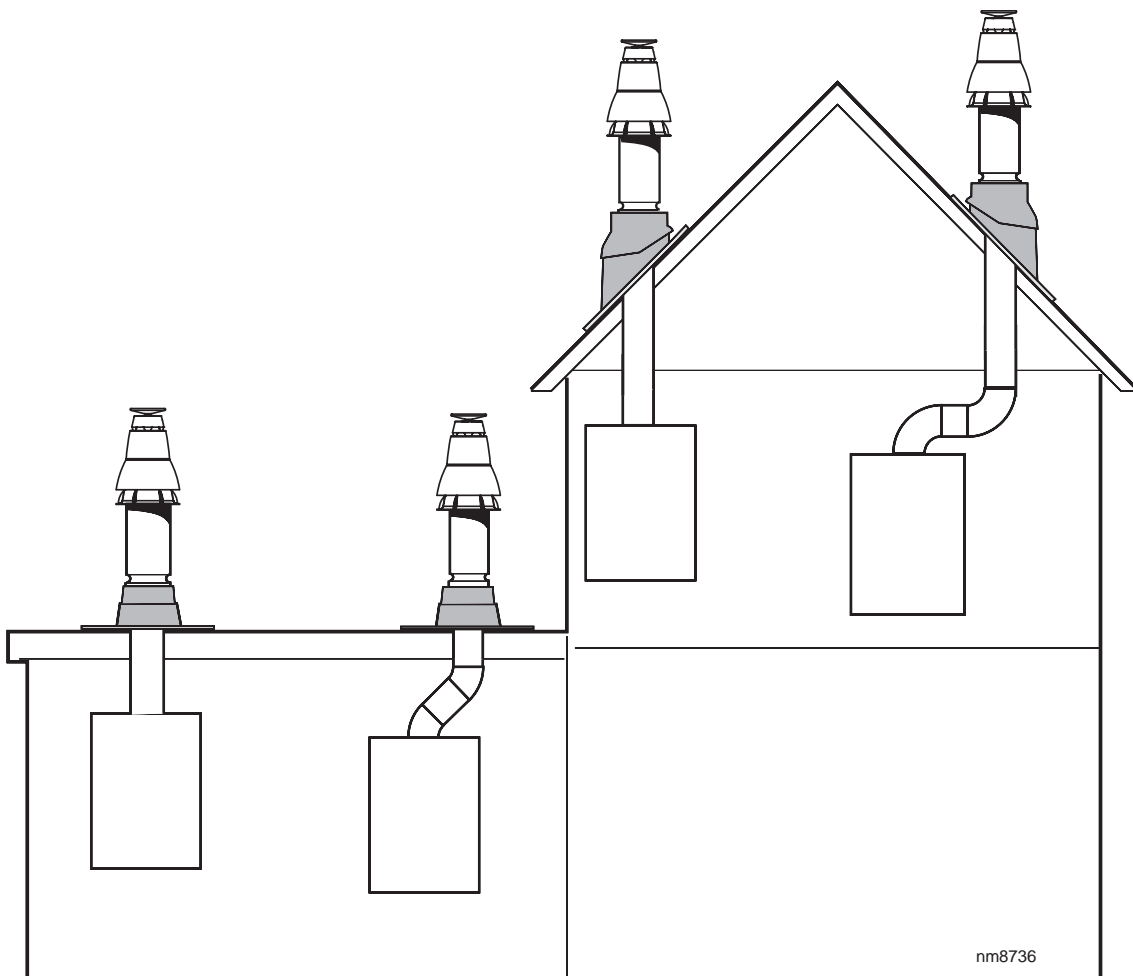
- Flat roof weather collar
- or
- Universal weather collar.

ACCESSORIES

Flue Duct Extension Kits are available for flue lengths extending beyond 1m. These packs contain 1m extension ducts and may be cut to the desired length.

If the offset vertical option is used an elbow Kit is required.

Please visit www.idealboilers.com to access the Flue and Accessories Guide for this boiler.



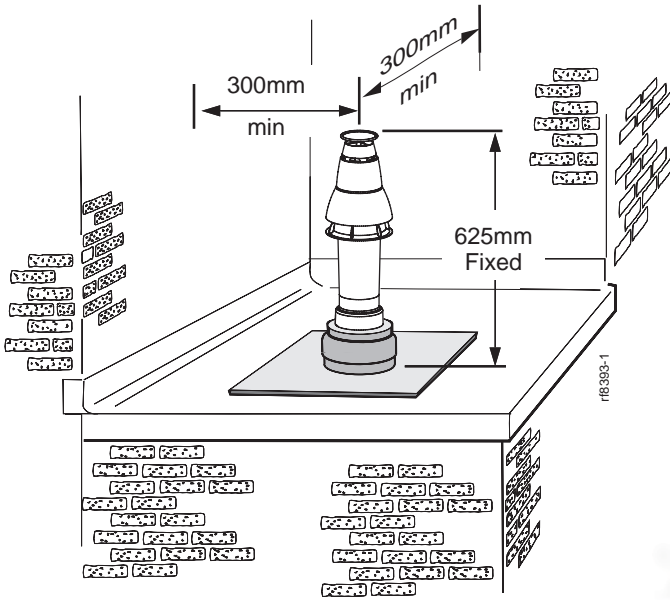
SECTION 2 - INSTALLATION

2.13 FLUE TERMINAL POSITION

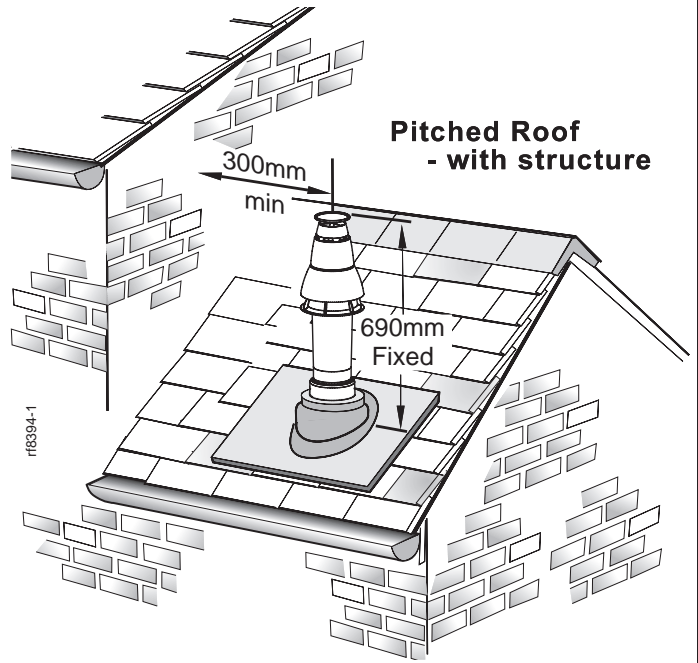
The terminal should be positioned so that products of combustion can safely disperse at all times.

Plumbing may occur at the termination so, where possible, terminal positions where this could cause a nuisance should be avoided.

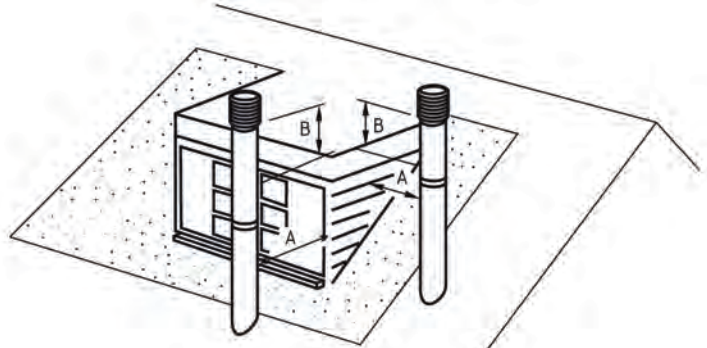
Minimum dimensions are shown below



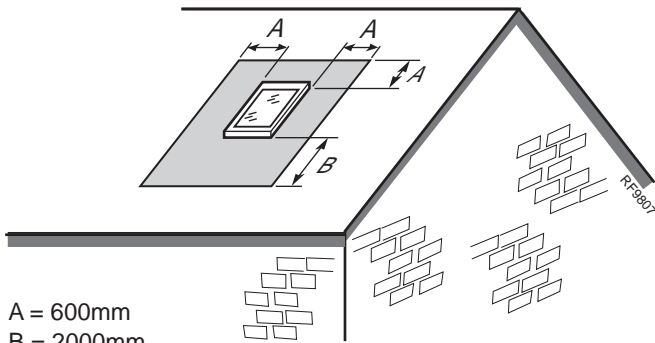
Flat roof - with structure



Pitched Roof - with structure



If chimney penetrates dotted area such that A is less than 300mm, B shall not be less than 300mm.



A = 600mm
B = 2000mm

The flue terminal shall not penetrate the shaded area of the roof

Pitched roof - with velux window or opening

Where two or more vertical fanned draught chimney configurations terminate in close proximity at the same height, they shall be separated by at least 300mm. Where any one vertical outlet is more than 300mm above the other, then they shall be separated by at least 1500mm.

Where any vertical fanned draught chimney configuration outlet is within 2000mm measured horizontally of an opening window, then it shall be at least 300mm above the opening.

Note.

The equivalent flue length resistance of the elbow kits are:

90° elbow kit = 1m

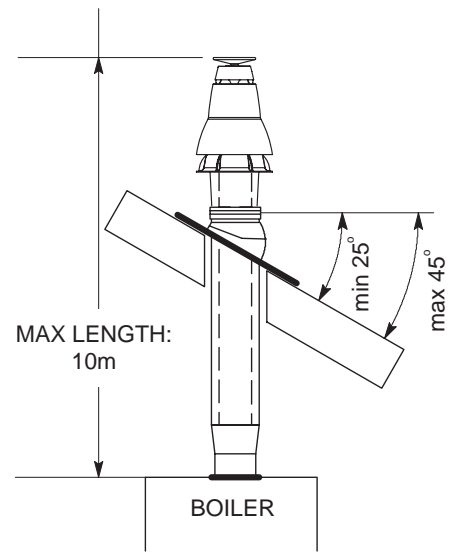
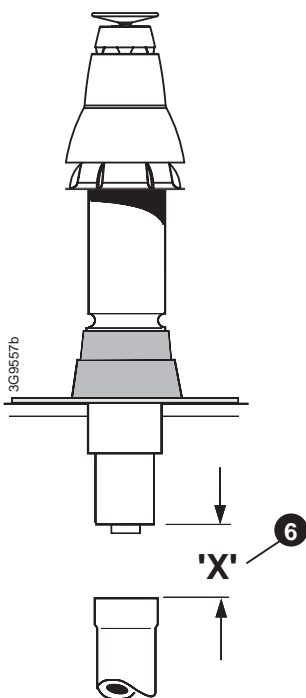
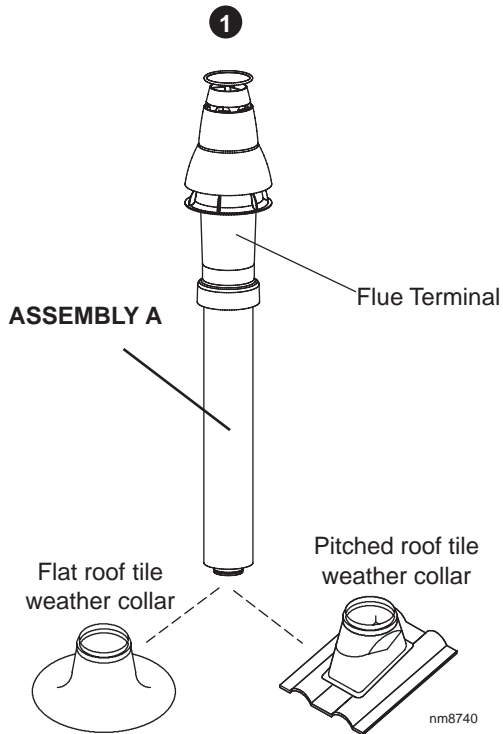
45° elbow kit = 0.6m

2.14 ASSEMBLING THE ROOF FLUE KIT

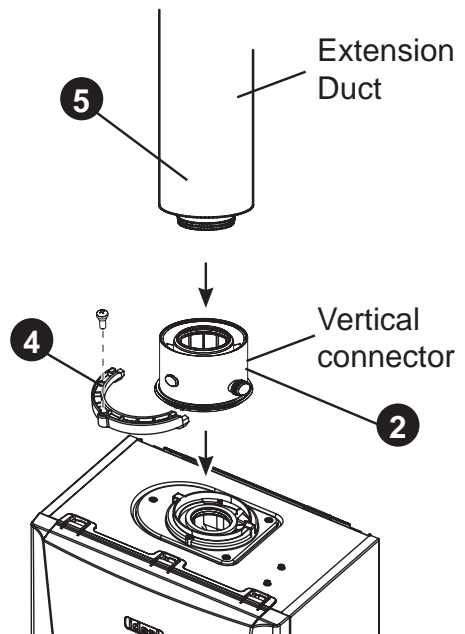
Determine the correct height that the flue should terminate above the roof. If after calculating or measuring the overall flue height from the top of the boiler, it is necessary to cut both pipes of assembly A, then ensure they are cut equally leaving the inner flue tube longer than the outer air tube as supplied.

Ensure the cut pipe ends are free from any burrs.

1. Position the roof flashing plate (supplied separately) over the hole cut in the roof and insert flue terminal from the roof end.



2. Fit the vertical connector (supplied separately) in accordance with the instructions provided with the vertical connector kit.
3. Secure the vertical connector by applying downward pressure on the connector.
4. Position the clamp on the top face of the flue manifold and push it horizontally backwards. Locate both clamp lugs into the flue manifold and secure to the flue manifold with the M5 retaining screw.
5. Push extension duct (if required (supplied separately)) into vertical connector.



6. If the last extension duct requires cutting, measure 'X', the distance (outer ducts), between the duct and the terminal and add 100 mm to this dimension. This gives the length of the last extension duct.

Note. Check the position of the inner flue duct relative to the outer duct on the assembled extension duct(s) and ensure the terminal flue duct is cut longer than the air duct to ensure engagement in the final flue duct seal.

7. Finally ensure the roof flashing plate is correctly sealed to the roof.

2.15 CONNECTIONS & FILLING

NOTES.

Ensure all boss blanking plugs are removed before connecting hardware. Each valve must be fitted to the correct boss as shown in the picture.

Ensure each union is fitted with fibre seals provided.

Do not subject any of the isolating valves to heat as the seals may be damaged.

WATER CONNECTIONS CH

1. Connect the CH flow service valve and copper tail provided in the hardware pack to the threaded boss connection provided at the lower rear of the boiler.
2. Connect the CH return valve (black handle) and copper tail.
3. If connecting the boiler to heating loads in excess of 17.6kW, connecting flow and return heating systems pipework must be sized in 28mm diameter at the point of pipe connection to the boiler tails. Use 22mm x 28mm pipe adaptors as appropriate.

IMPORTANT.

Be sure to follow the Ideal system filter installation and maintenance guide for correct method of installation. Failure to install the system filter correctly will affect boiler warranty.

GAS CONNECTION

IMPORTANT. The gas service cock is sealed with a non-metallic blue fibre washer, which must not be overheated when making capillary connections. Refer to Section 1.16 for details of the position of the gas connection.

For additional gas supply info refer to Section 1.8.

PRESSURE RELIEF VALVE DRAIN

The pressure relief valve connection, located at the bottom right-hand side of the boiler, comprises a 15mm diameter stub pipe.

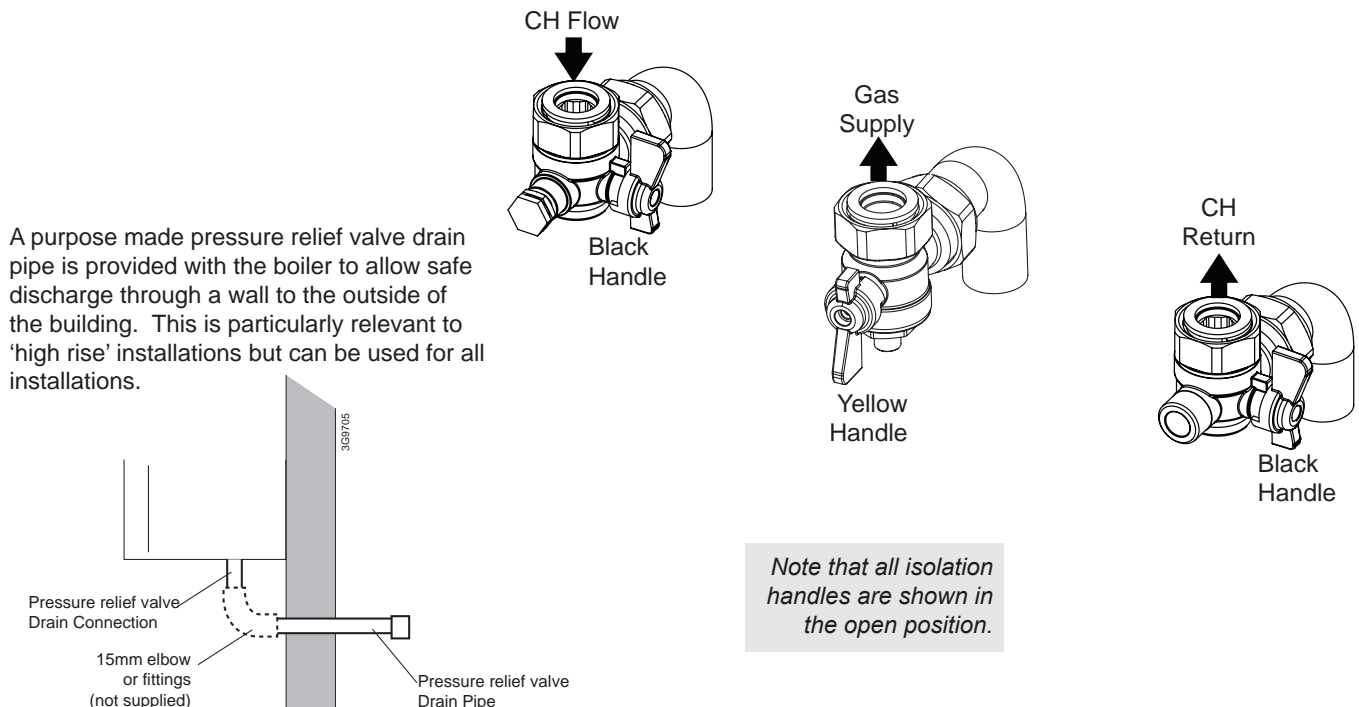
The Installer is to provide a compression joint on the end of the stub pipe. This assists with pipe removal when servicing.

The discharge pipe should be positioned so that the discharge of water or steam cannot create a hazard to the occupants of the premises or damage the electrical components and wiring.

FILLING

IMPORTANT - when filling:

- A. Ensure the dust cap on air vent located at the rear of the pump chamber is slightly unscrewed.
 - B. When filling, there may be a slight water leak from the air vent therefore electrical connections should be protected.
1. **Ensure that the CH isolating valve handles are open.**
 2. Fill and vent the system. Refer to Section 2.15 for filling and setting pressure procedure.
 3. Check for water soundness.



2.16 ELECTRICAL CONNECTIONS

WARNING. This appliance MUST be earthed.

A mains supply of 230Vac ~ 50 Hz is required.

The fuse rating should be 3A. All external controls and wiring must be suitable for mains voltage.

Wiring external to the boiler MUST be in accordance with the current I.E.E. (BS 7671) Wiring Regulations and any local regulations.

Wiring should be 3 core PVC insulated cable, not less than 0.75mm² (24 x 0.2mm), and to BS 6500 Table 16. For IE reference should be made to the current ETCI rules for electrical installations.

Connection must be made in a way that allows complete isolation of the electrical supply such as a double pole switch having a 3mm (1/8") contact separation in both poles. The means of isolation must be accessible to the user after installation.

2.17 INSTALLER WIRING - MAINS

The Vogue boiler comes pre-fitted with 1.8m of mains cable. This must be connected to a permanent live supply and NOT switched by thermostats/programmers. If the supply cord is damaged, it must be replaced by the manufacturer, service agent or similarly qualified persons in order to avoid hazard.

Accessing the installer wiring

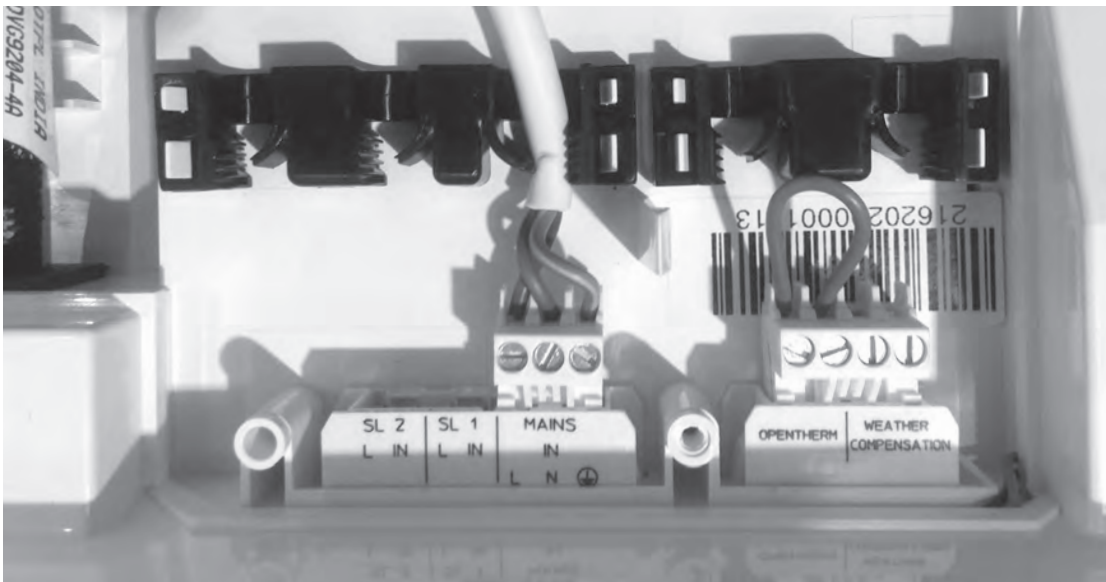
1. Isolate the mains supply from the boiler.
2. Remove the front panel. Refer to section 3.2.
3. Swing down the control box into the service position, remove the retaining screw, and remove the installer wiring cover.

All of the connections can now be readily accessed, the plugs can be removed to aid wiring.

Note the cable strain relief system and grommets. Once any wiring is completed, to secure the boiler, reverse the order above.

Note 1 *The link wire on the 230V installer SL1 connection gives a demand in conjunction with the OpenTherm link wire.*

INSTALLER CONNECTIONS



WARNING: UNDER NO CIRCUMSTANCES MUST A 230V CONNECTION BE MADE TO THE OPENTHERM OR WEATHER COMPENSATION CONNECTIONS

2.18 OPTIONAL SYSTEM CONTROLS KITS

Ideal offers the following kit:-
(see kit for installation instructions)

Weather Compensation Kit: Allows outside temperature sensing.

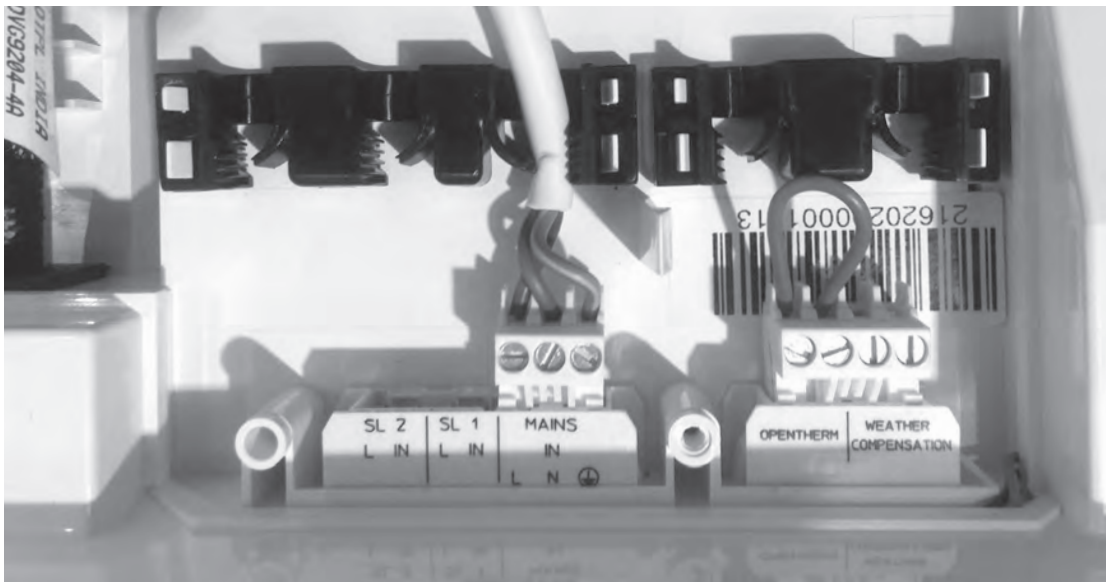
Ideal Touch Heat & System RF Programmable Room Thermostat: Transceivers fit into boiler. Portable room thermostat.

2.19 INTERNAL WIRING - EXTERNAL CONTROLS

The Vogue Max System boiler comes pre-fitted with a red link wire between the SL1 connections and a violet link wire between the OpenTherm connections of the installer wiring connections. This creates a permanent call for heat and the appropriate link must be removed when adding a Room Thermostat/Timer. For 230V remove the SL1 link, for PELV remove the OpenTherm link

To add wired external Room Thermostats, Timers or Programmers proceed as follows:-

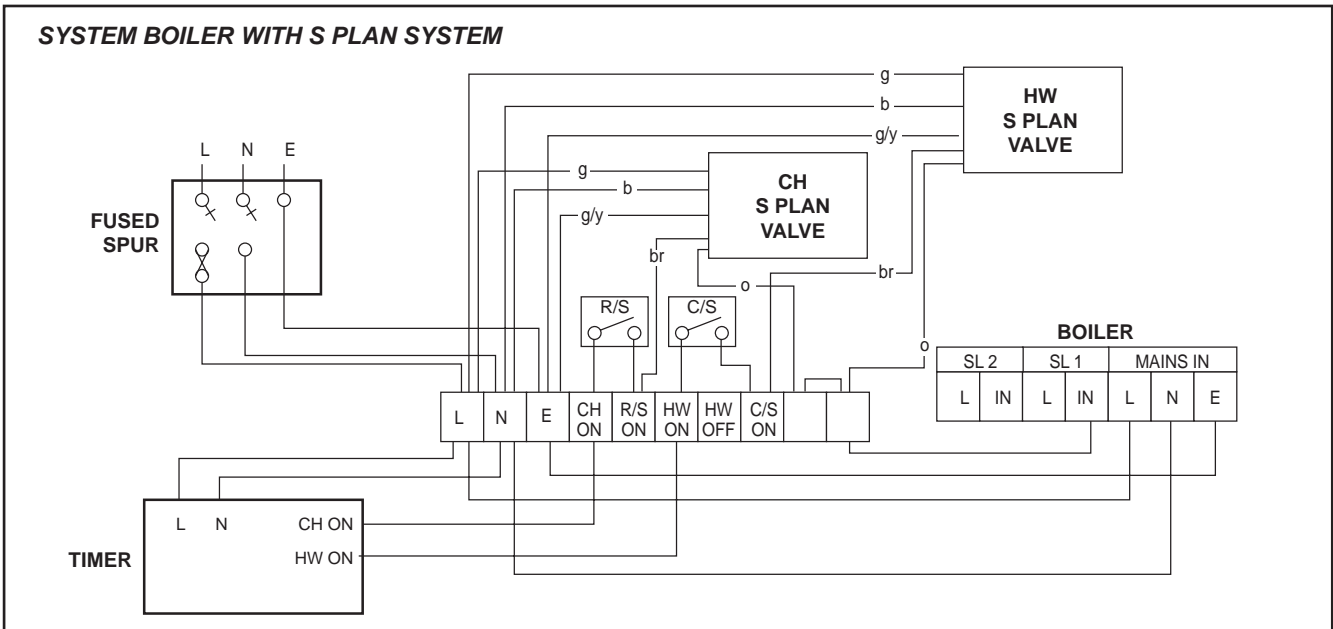
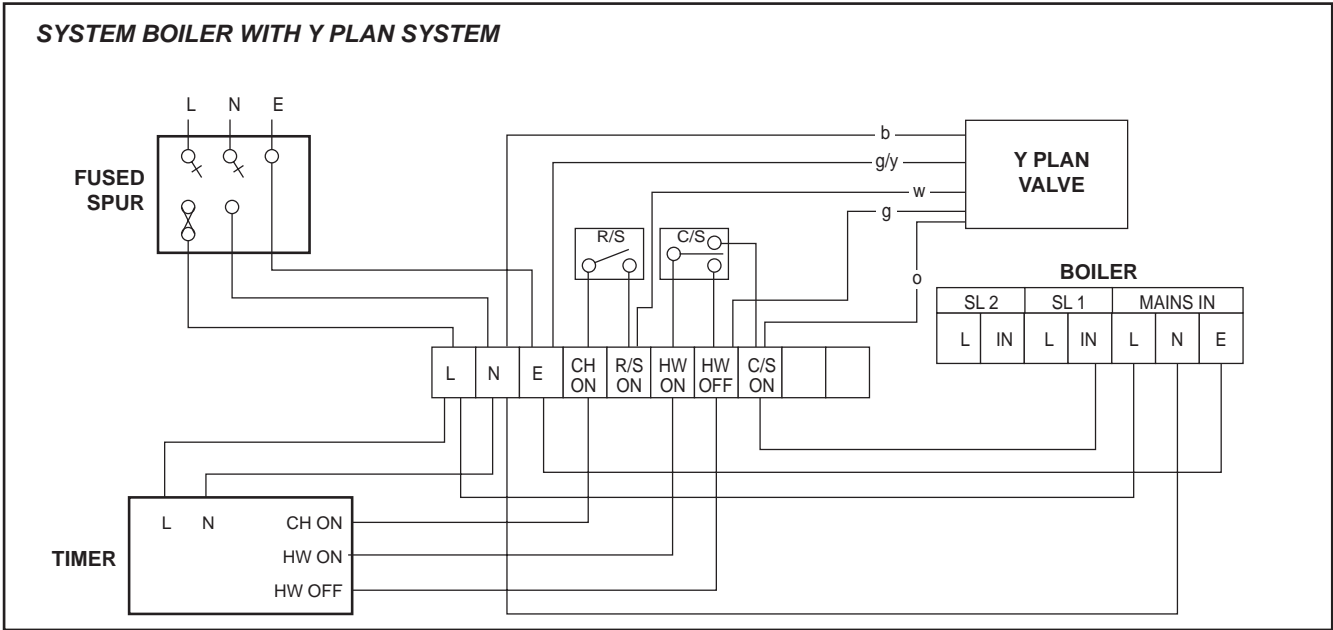
- | | |
|--|--|
| <ol style="list-style-type: none"> 1. Isolate the mains supply to the boiler. 2. Remove the front panel (refer to Section 3.2). 3. Swing the control box down into the servicing position (refer to Section 3.3). 4. Route incoming cables through the grommets in the bottom panel (note: grommets are 'blind' and will require | <ol style="list-style-type: none"> 5. puncturing) and secure using clamps and screws provided in the hardware pack. 6. Remove the installer wiring cover. 7. Connect wires to the appropriate plug, which may be removed to aid wiring. 8. Re-assemble in reverse order. |
|--|--|



WARNING: UNDER NO CIRCUMSTANCES MUST A 230V CONNECTION BE MADE TO THE OPENTHERM OR WEATHER COMPENSATION CONNECTIONS

SECTION 2 - INSTALLATION

2.20 SYSTEM CONTROL WIRING



SECTION 2 - INSTALLATION

2.21 EXTERNAL ELECTRICAL CONTROLS

Wiring External to the Boiler

The fuse rating should be 3A.

Wiring external to the boiler MUST be in accordance with the current I.E.E. (BS 7671) Wiring Regulations and any local regulations.

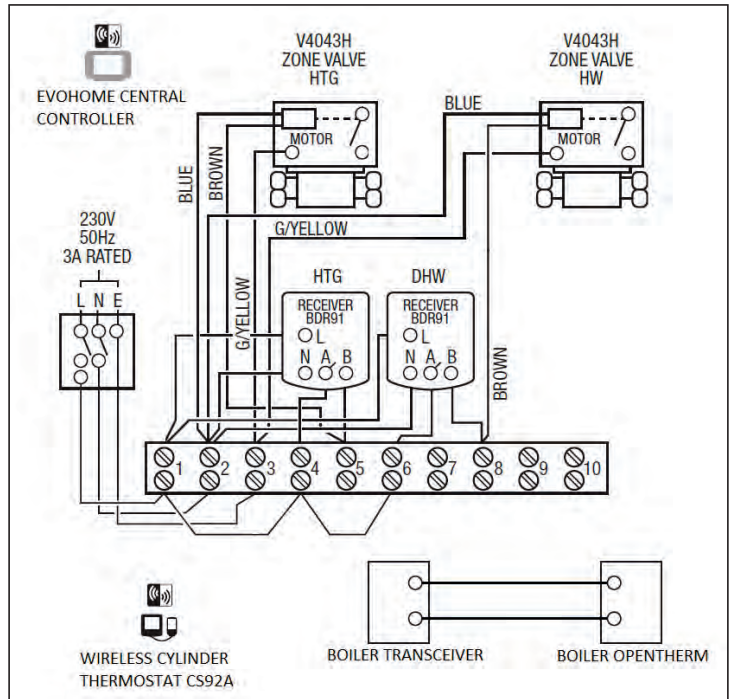
Frost Protection

If parts of the pipework run outside the house or if the boiler will be left off for more than a day or so then a frost thermostat should be wired into the system.

The frost thermostat should be sited in a cold place but where it can sense heat from the system.

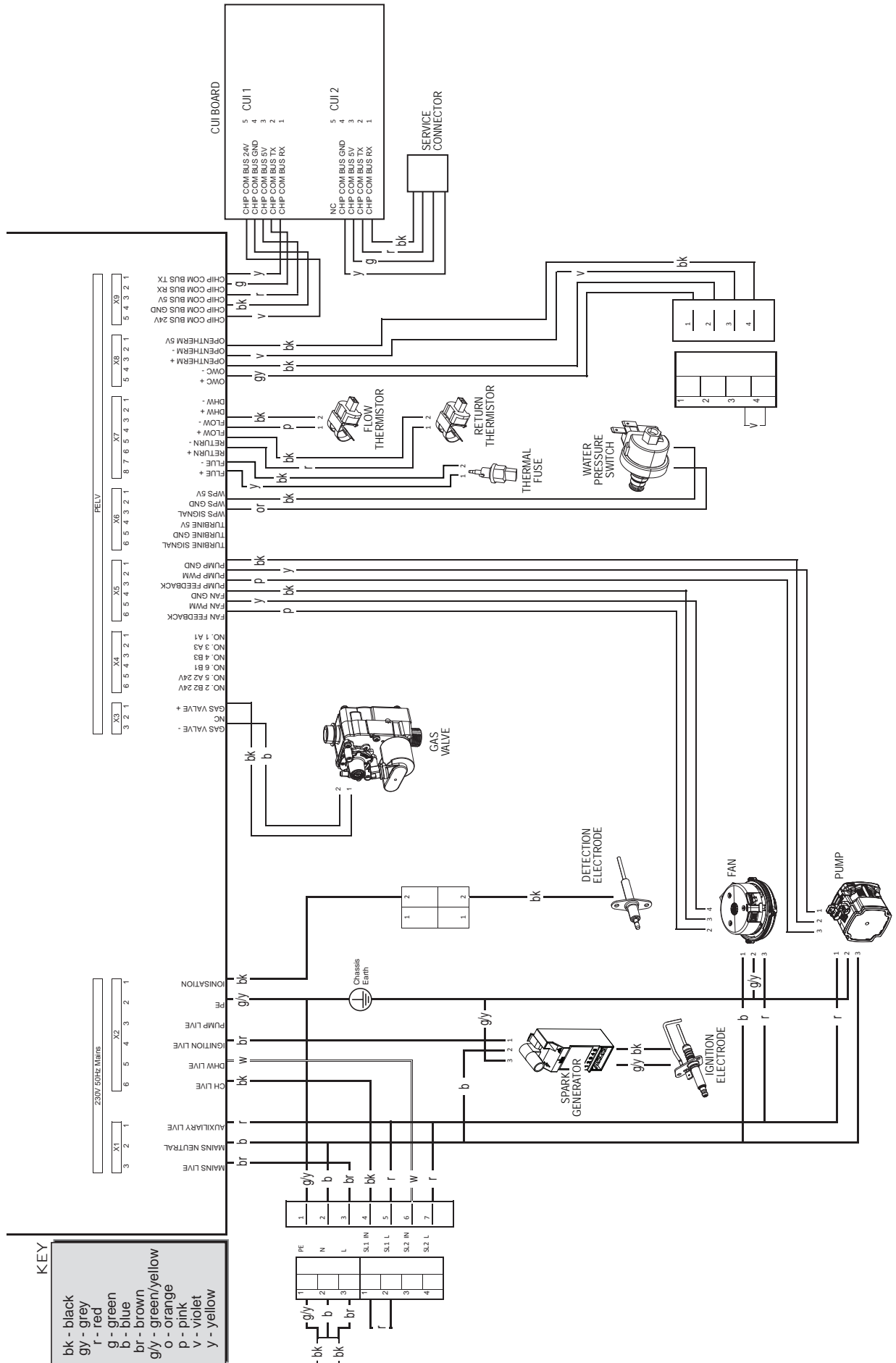
Note. If the boiler is installed in a garage it may be necessary to fit a pipe thermostat, preferably on the return pipework.

EXAMPLE - Connection to Honeywell Evohome



SECTION 2 - INSTALLATION

2.22 WIRING DIAGRAM



2.23 COMMISSIONING AND TESTING

A. Electrical Installation

1. Checks to ensure electrical safety should be carried out by a competent person.
2. ALWAYS carry out the preliminary electrical system checks, i.e. earth continuity, polarity, resistance to earth and short circuit, using a suitable test meter.
3. After wiring the boiler, all grommets in the bottom panel MUST be in place to ensure that boiler case sealing is maintained.

B. Gas Installation

1. The whole of the gas installation, including the meter, should be inspected and tested for tightness and purged in accordance with the recommendations of BS 6891. In IE refer to IS.813.
2. Purge air from the gas installation by the approved methods only.

WARNING. Whilst effecting the required gas tightness test and purging air from the gas installation, open all windows and doors, extinguish naked lights and **DO NOT SMOKE.**

GENERAL

Please Note: The combustion for this appliance has been checked, adjusted and preset at the factory for operation on the gas type defined on the appliance data plate. **DO NOT** adjust the air/gas ratio valve.

Having checked:

- That the boiler has been installed in accordance with these instructions.
- The integrity of the flue system and the flue seals, as described in the Flue Installation section.

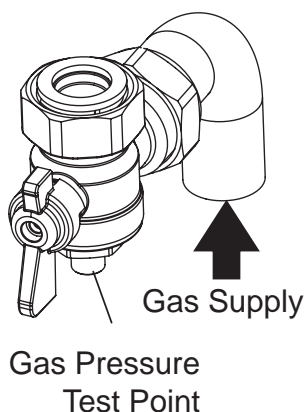
Proceed to put the boiler into operation as follows:

CHECK THE OPERATIONAL (WORKING) GAS INLET PRESSURE

Set up the boiler to operate at maximum rate by referring to page 42, Service Mode Maximum Rate. This mode will operate the boiler at maximum heat output. To ensure the boiler is operating at maximum this must be carried out when the system is cool.

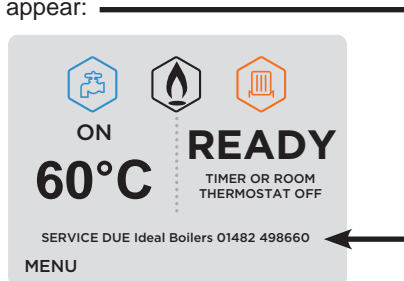
With the boiler operating in the maximum rate condition check that the operational (working) gas pressure at the inlet gas pressure test point complies with the requirements - refer to Gas Supply Section 1.8.

Ensure that this inlet pressure can be obtained with all other gas appliances in the property working.



SERVICE

When the boiler has been installed for more than 1 year a message similar to the following screen will appear:



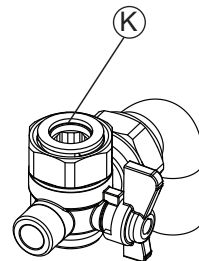
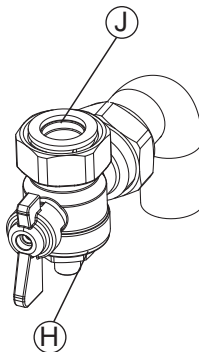
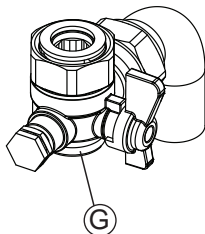
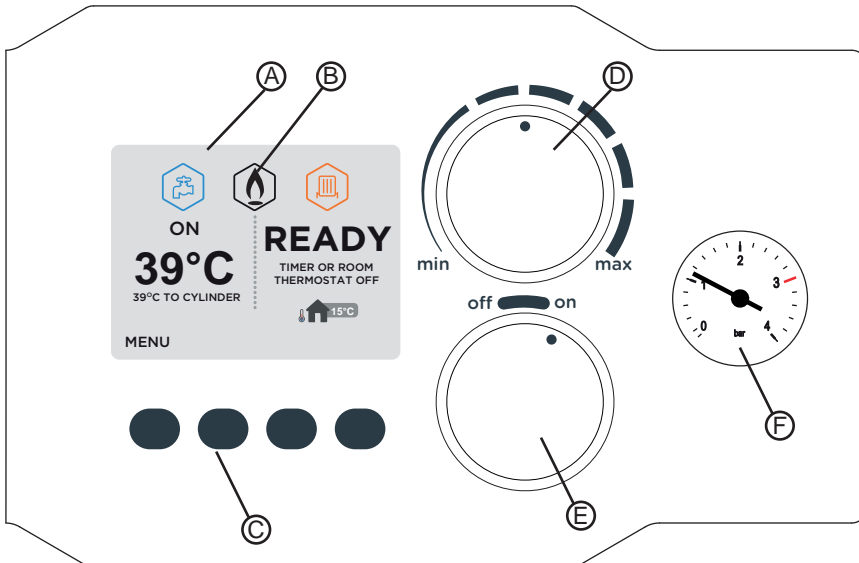
As part of the commissioning process, the combustion of this appliance must be checked and the Benchmark Checklist completed. A flow chart to assist is provided on page 73.

ATTENTION !
IT IS A CONDITION OF THE MANUFACTURERS WARRANTY THAT THE BENCHMARK COMMISSIONING CHECKLIST IS FULLY COMPLETED AND LEFT WITH THE APPLIANCE

2.24 INITIAL LIGHTING

Legend

- A. Boiler Status
- B. Burner on Indication
- C. Hot Keys
- D. CH Temperature Control
- E. Boiler On / Off Switch
- F. Pressure Gauge
- G. CH Flow Isolating Valve
- H. Gas Inlet Pressure Test Point
- J. Gas Service Cock
- K. CH Return Isolating Valve

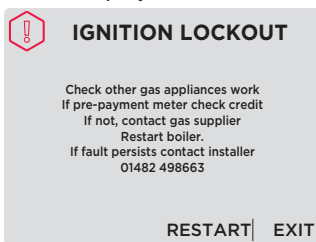


PREPARATION FOR IGNITION

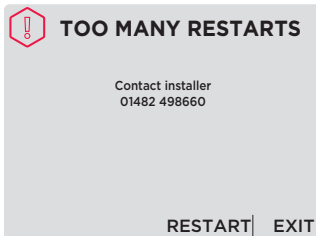
1. Check that the electrical supply is OFF and remove the boiler front panel. Refer to Section 3.2
2. Check that the system has been filled and that the boiler is not air locked.
3. Ensure that the automatic air vent cap is open.
4. Refit the boiler front panel. Refer to Section 3.2.
5. Check that the drain cock is closed and that the CH (G & K) isolating valves are OPEN.
6. Move the On/Off knob (E) to the 'off' position
7. Slacken the screw in the inlet pressure test point (H) and connect a gas pressure gauge via a flexible tube.

INITIAL IGNITION

1. Switch the electricity supply ON and check all internal and external controls are calling for heat.
2. Move the On/Off knob (E) into the 'on' position. Set the Boiler Temperature Control knob (D) to 'max'. The boiler will now go through its ignition sequence until the burner is established.
3. If the boiler has not lit, after 5 ignition attempts, the following screen will be displayed.



4. Restart the boiler and the ignition sequence will be repeated. If Restart occurs 5 times within 15 minutes then the following screen will be displayed.

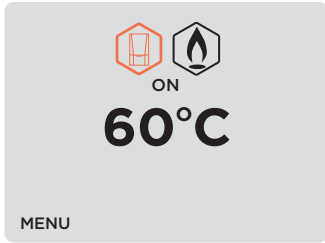


If power is removed this will be restarted.

2.25 CHECK CH & HW CYLINDER OPERATION

OPERATION WITHOUT OUTSIDE SENSOR

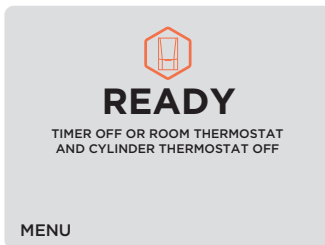
When the burner is established the following screen will be displayed.



The temperature shown will be the actual Flow Temperature.

At full output, check the gas rate at the gas meter with no other appliances in use. Refer to Table 2 for gas rates. Ensure that, with the boiler operating, the dynamic gas pressure is able to obtain maximum output. Refer to Table 1.

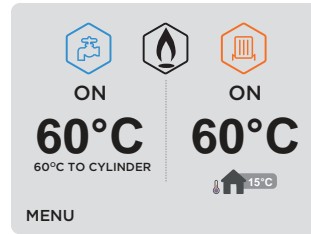
Set the timer to be off. The burner will go off and the fan and pump continue to run for 2 minutes. The following screen will be displayed.



Check the correct operation of all the system controls by operating each control separately and check that the main burner responds.

OPERATION WITH OUTSIDE SENSOR

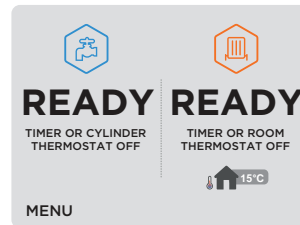
With all the system controls calling for heat, when the burner is established the following screen will be displayed.



The temperature shown will be the actual Flow temperature.

At full output check the gas rate at the gas meter with no other appliances in use. Refer to Table 2 for gas rates. Ensure that, with the boiler operating, the dynamic gas pressure is able to obtain maximum output. Refer to Table 1.

Set the timer to be off. The burner will go off and the fan and pump continue to run for 2 minutes. The following screen will be displayed.



Check the correct operation of all the system controls by operating each control separately and check that the main burner responds.

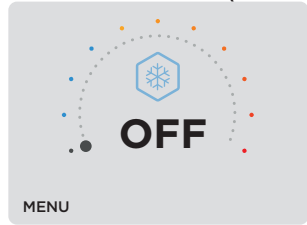
IMPORTANT

The gas input to the burner is regulated by the gas valve according to the air flow produced by the fan. It is NOT user-adjustable. Any interference to sealed settings on the gas valve will adversely affect operation and render warranty void. For additional information refer to Section 1.8 Gas Supply.

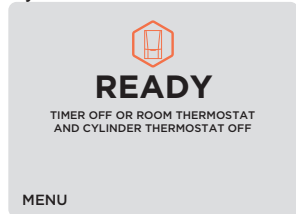
SECTION 2 - INSTALLATION

2.26 DISPLAY FUNCTIONS IN NORMAL OPERATION

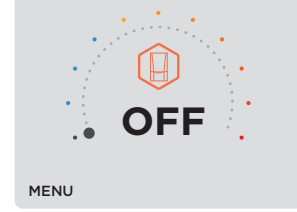
OUTSIDE SENSOR NOT CONNECTED
Boiler Switched Off: (On/Off Switch is Off)



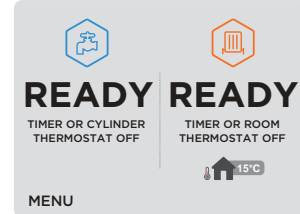
No Demand: Timer Off or Room Stat & Cylinder Stat Off



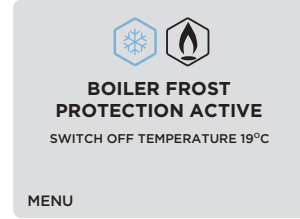
OUTSIDE SENSOR CONNECTED
Boiler Switched Off: On/Off Switch is Off



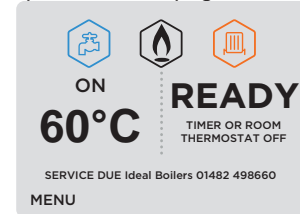
No Demand: (Timer Off or Room Stat & Cylinder Stat Off)



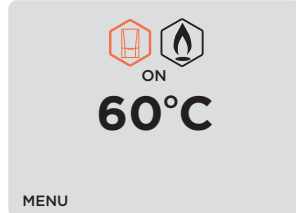
Boiler Frost Protection: occurs if Flow Temperature less than 5°C



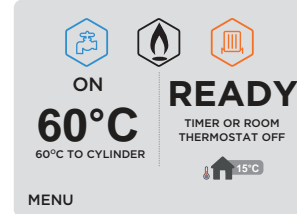
Service Due: shown after 12 months operation, see page 39 to reset.



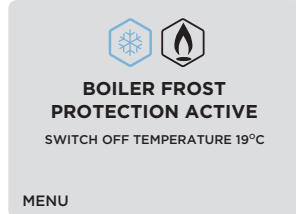
Demand On



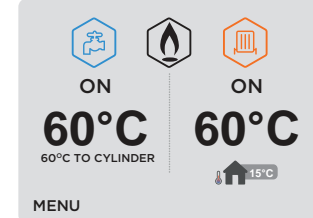
Cylinder Demand On, CH Demand Off



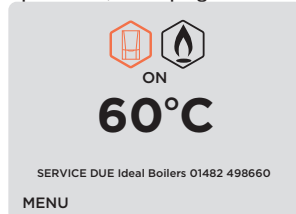
Boiler Frost Protection: occurs if Flow Temperature less than 5°C



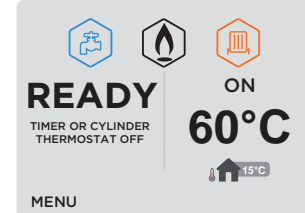
Cylinder Demand On, CH Demand On



Service Due: shown after 12 months operation, see page 39 to reset.

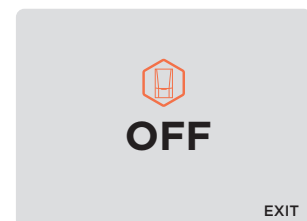


Cylinder Demand Off, CH Demand On

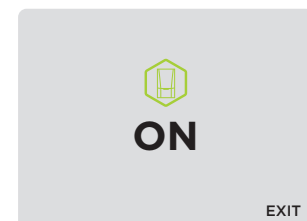


2.27 CHANGING SETTINGS

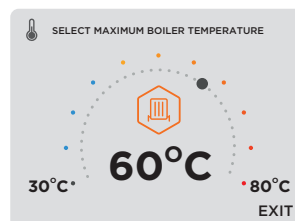
To switch Cylinder & CH Off: move the On/Off switch into the Off position, the screen below will be shown (note: Frost protection still active)



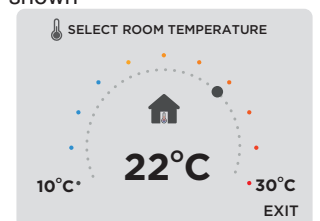
To switch Cylinder & CH On: move the On/Off switch into the On position, the screen below will be shown



To change the Boiler Temperature Set Point: rotate the Boiler Temperature Control Knob, the screen below will be shown



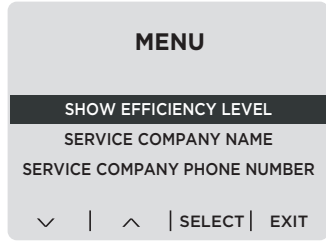
To change the Room Temperature Set Point (only if Outside Sensor connected): rotate the Boiler Temperature Knob, the screen below will be shown



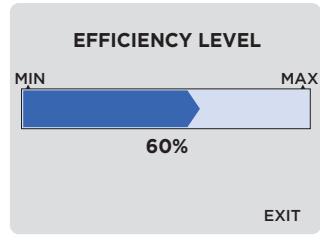
2.28 MENU OPERATION

EFFICIENCY LEVEL

To view the efficiency level of the boiler press MENU and the following screen will be displayed.

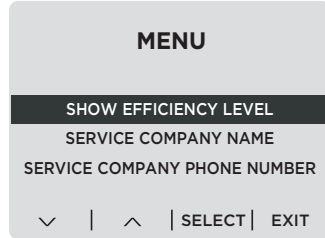


Press SELECT and the following screen will be displayed.

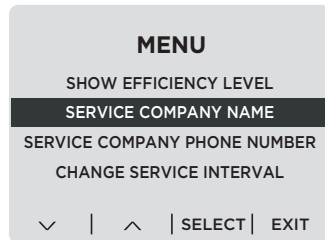


INSTALLERS DETAILS

The service required message which is displayed after 12 months can be customised to show the installer's telephone number & name. To record your telephone number & name press MENU and the following screen will be displayed.



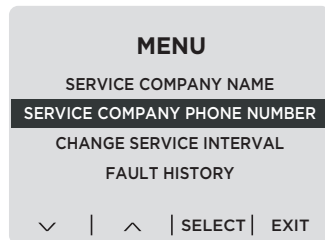
Press down until the following screen is displayed.



Press SELECT and a screen similar to the following will be displayed.



Press down and up to change the letter. Press NEXT to move to next letter. Press SET to accept then press down on the next screen to show the following.



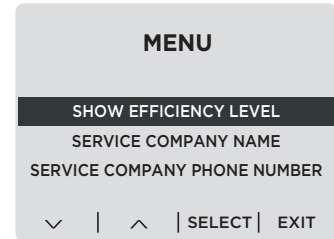
Press SELECT and a screen similar to the following will be displayed.



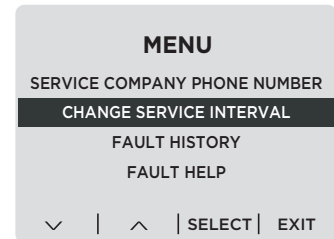
Press down and up to change the number. Press NEXT to move to next digit. Press SET to accept then press EXIT to end.

RESET SERVICE INTERVAL

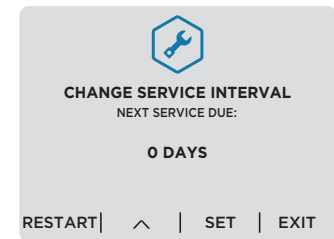
If the boiler has not been serviced within the last 12 months then a message will be displayed indicating this. To reset this timing proceed as follows. Press MENU and the following screen will be displayed.



Press down until the following screen is displayed;



Press SELECT and the following screen will be displayed.

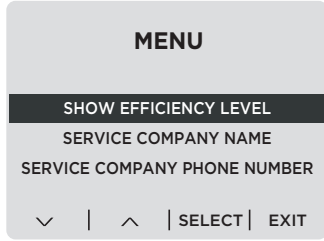


Press down or up for desired days, then press SET and then press EXIT.

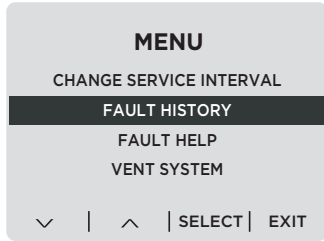
MENU OPERATION - CONT'D

FAULT HISTORY

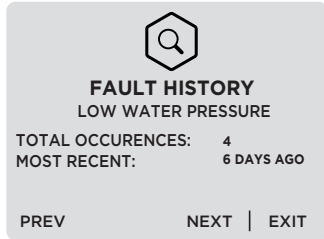
To view the Fault History of the boiler press MENU and the following screen will be displayed.



Press **↓** until the following screen is displayed.



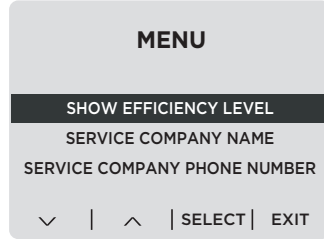
Press **SELECT** and a screen similar to the following will be displayed.



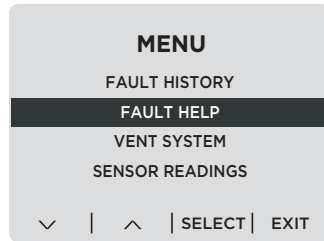
Press **↓** and **↑** to view the full list. Press **EXIT** twice to return to normal operation.

FAULT HELP

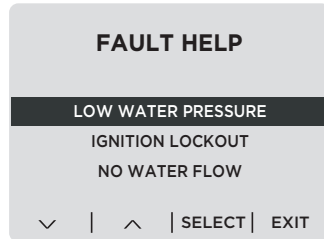
This feature provides a list of potential corrective actions at an installer level for all faults detectable by the boiler electronics. Press MENU and the following screen will be displayed.



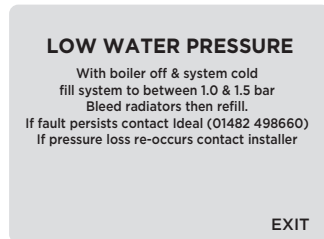
Press **↓** until the following screen is displayed.



Press **SELECT** and the following screen will be displayed.



Press **↓** and **↑** until the desired fault is shown then press **SELECT** and a screen similar to the following will be shown.

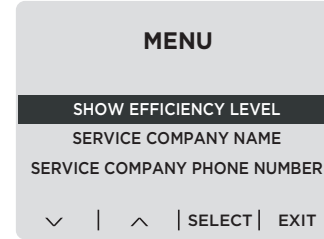


Press **EXIT** switch when finished.

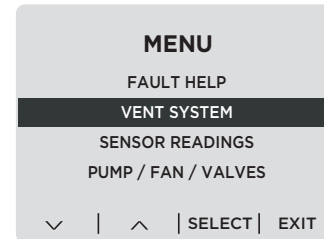
VENT SYSTEM

The Vent System feature aids removal of air from the heat exchanger. The pump will be switched on for 50s and then off for 10s while the diverter valve is moved between DHW and CH every 30s. The feature lasts for 5 minutes.

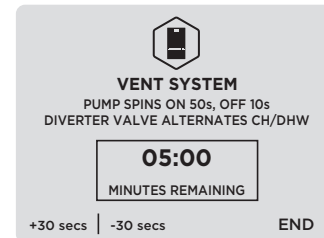
Press MENU and the following screen will be displayed.



Press **↓** and the following screen is displayed.



Press **SELECT** and the following screen will be displayed.

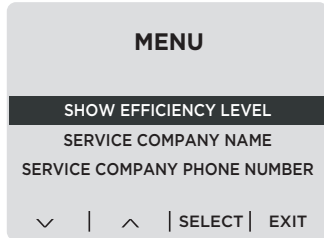


The feature will end automatically after 5 minutes, to end manually press **END**.

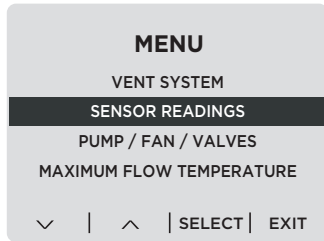
MENU OPERATION - CONT'D

SENSOR READINGS

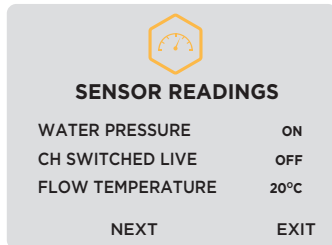
To view the current Water Pressure, Switched Live Status, DHW Flow Rate, DHW Temperature, Flow Temperature, Return Temperature, Flame Status, Outside Temperature, DHW Switched Live Status and OpenTherm Status, press MENU and the following screen will be displayed.



Press \downarrow until the following screen is displayed.



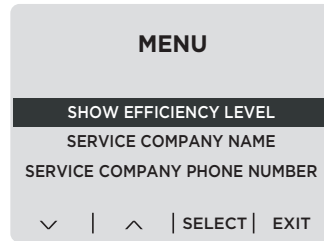
Press SELECT and a screen similar to following will be displayed.



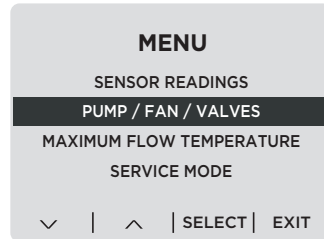
Press \downarrow and \uparrow to view the full list. Press EXIT twice to return to normal operation.

PUMP / FAN / VALVES

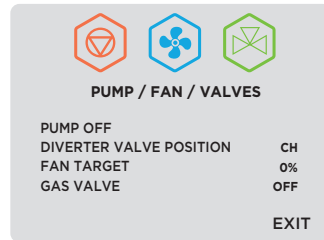
To view the current status of the Pump, Diverter Valve, Fan and Gas Valve press MENU and the following screen will be displayed.



Press \downarrow until the following screen is displayed.



Press SELECT and a screen similar to the following will be displayed.

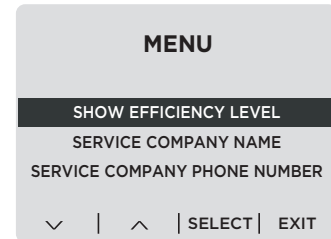


Press EXIT twice to return to normal operation.

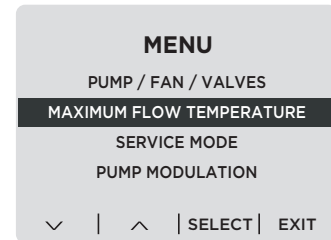
MAXIMUM FLOW TEMPERATURE

It is possible to limit the maximum flow temperature that can be set from the CH Flow Temperature knob using this feature. Note that this could prevent adequate room temperature being achieved in winter.

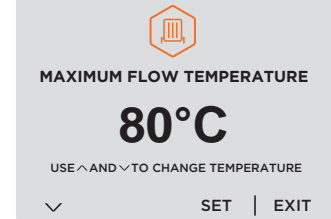
Press MENU and the following screen will be displayed.



Press \downarrow until the following screen is displayed.



Press SELECT and a screen similar to following will be displayed.

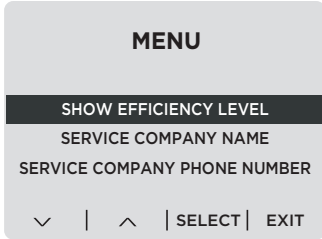


Press \downarrow and \uparrow until the desired temperature is displayed and then SET followed by EXIT to return to normal operation.

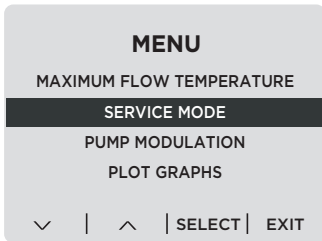
MENU OPERATION - CONT'D

SERVICE MODE MINIMUM RATE

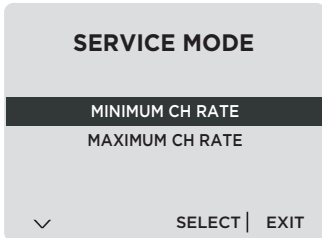
This feature will run the burner at minimum rate. Note that a CH demand has to already be present for this feature to be active. To activate the feature press MENU and the following screen will be displayed.



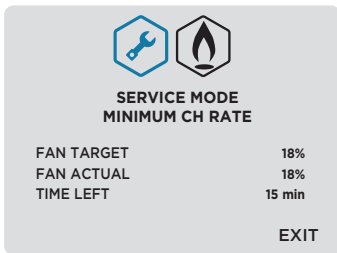
Press ▽ until the following screen is displayed.



Press SELECT and the following screen will be displayed.



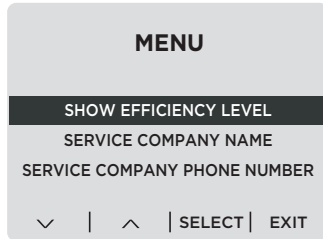
Press SELECT and the following screen will be displayed.



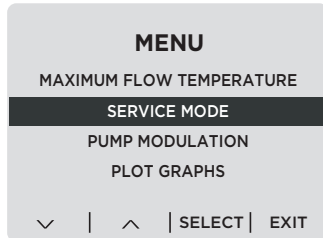
Operation will end automatically after 10 mins or press EXIT to end manually.

SERVICE MODE MAXIMUM RATE

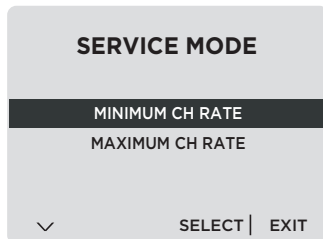
This feature will run the burner at maximum rate. Note that a heat demand has to already be present for this feature to be active. Gas rate will reduce as flow temperature approaches 80°C. To activate the feature, press MENU and the following screen will be displayed.



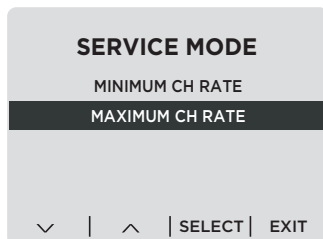
Press ▽ until the following screen is displayed.



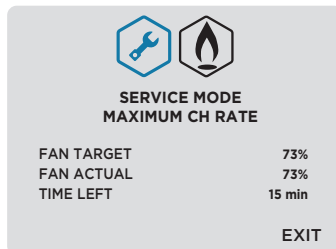
Press SELECT and the following screen will be displayed.



Press ▽ and the following screen will be displayed.



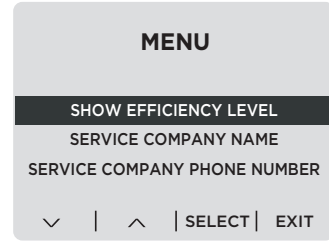
Press SELECT and the following screen will be displayed.



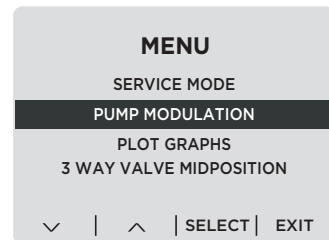
Operation will end automatically after 10 mins or press EXIT to end manually.

PUMP MODULATION

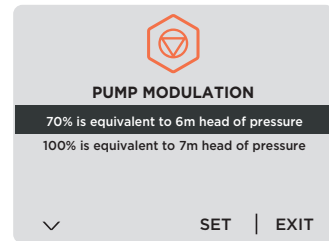
The boiler is factory set for pump modulation to occur. If you wish to disable modulation, press MENU and the following screen be displayed.



Press ▽ until the following screen is displayed.



Press SELECT and the following screen will be displayed.

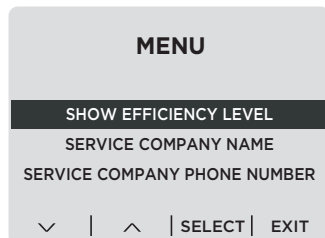


Press ▽ or ▲ to change the setting and press SET to enable.

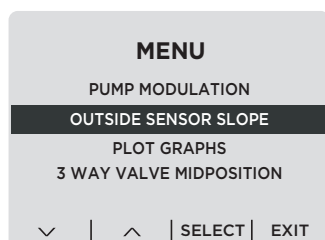
MENU OPERATION - CONT'D

OUTSIDE SENSOR SLOPE

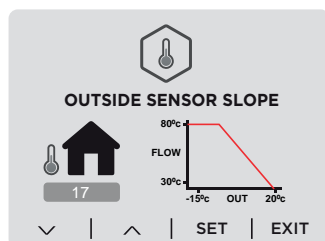
This feature is only accessible if an Outside Sensor has been fitted to the boiler. Boiler performance can be adjusted relative to the insulation level of the building. To change the slope press MENU and the following screen will be displayed.



Press \downarrow until the following screen is displayed.



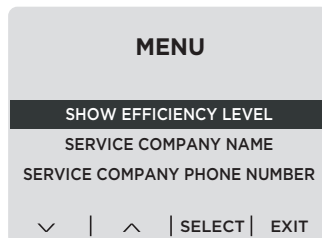
Press ENTER and the following screen will be displayed.



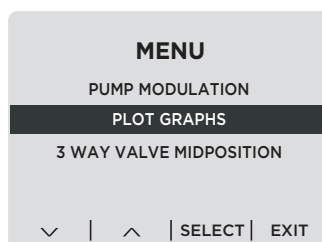
Press \downarrow and \uparrow until the desired setting is displayed. Press SET followed by EXIT to return to normal operation.

PLOT GRAPHS

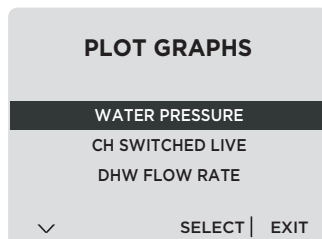
To plot graphs of Water Pressure, Switch Live, DHW Flow Rate, DHW Temperature, Flow/Return Temperature, Flame Status, Outside Temperature or DHW Switched Live, press MENU and the following screen will be displayed.



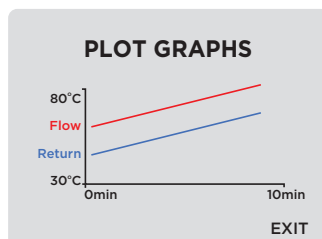
Press \downarrow until the following screen is displayed.



Press SELECT and the following screen will be displayed.



Press \downarrow and \uparrow to highlight the desired input and then press SELECT. A screen similar to the following will be displayed.



Press EXIT 3 times to return to normal operation.

2.29 GENERAL CHECKS

WATER CIRCULATION SYSTEM

1. With the system COLD, check that the initial pressure is correct to the system design requirements.

For pre-pressurised systems, this should be 1.0 to 1.5 bar.

2. With the system HOT, examine all water connections for soundness. The system pressure will increase with temperature rise but should not exceed 2.5 bar.
3. With the system still hot, turn off the gas, water and electricity supplies to the boiler and drain down to complete the flushing process.

Note: A flushing solution should be used during the flushing procedure. Flushing solutions: Fernox F3 or DS40, Sentinel X300 (new systems) or X400 (existing systems).

4. Refill and vent the system, add inhibitor (see Section 2.15), clear all air locks and again check for water soundness.
5. Reset the system initial pressure to the design requirement.

6. Balance the system. Refer to Section 1.18.
7. Check the condensate drain for leaks and check that it is discharging correctly.
8. Finally, set the controls to the user's requirements.

Notes.

1. If the pump has not operated in the last 24 hours it will run briefly to prevent seizure

WATER TEMPERATURES

CH Temperature can be selected using the CH Temperature Control knob

Knob Setting	CH Flow Temp °C (°F)
Max	80 (176)
Min	30 (86)

2.30 HANDING OVER

After completing the installation and commissioning of the system the installer should hand over to the householder by the following actions:

1. Make the householder aware that the user instructions are located in the pocket in the drop down door and explain his/her responsibilities under the relevant national regulations.
2. Explain and demonstrate the lighting and shutting down procedures.
3. The operation of the boiler, and the use and adjustment of all system controls should be fully explained to the householder to ensure the greatest possible fuel economy consistent with the household requirements of both heating and hot water consumption.

Advise the user of the precautions necessary to prevent damage to the system and to the building, in the event of the system remaining inoperative during frosty conditions.

4. Explain the function and the use of the boiler.
5. Explain the function of the boiler fault mode.

Emphasise that if a fault is indicated, the boiler should be turned off and a Gas Safe Registered Engineer consulted. In IE contact a Registered Gas Installer (RGII).
6. Explain and demonstrate the function of time and temperature controls, radiator valves etc., for the economic use of the system.
7. If a timer is fitted draw attention to the timer Users Instructions and hand them to the householder.

8. Loss of system water pressure.

Explain that the dial at the front RHS of the boiler indicates the central heating system pressure and that if the normal COLD pressure of the system is seen to decrease over a period of time then a water leak is indicated. Explain the re-pressurising procedure and if unable to re-pressurise or if the pressure continues to drop a registered local heating installer should be consulted.

9. Explain boiler restart procedure.

10. After installation and commissioning please complete the



Commissioning Checklist before handover to the customer. For IE, it is necessary to complete a "Declaration of Conformity" to indicate compliance to I.S. 813.

IMPORTANT

11. A comprehensive service should be carried out ANNUALLY.

Stress the importance of regular servicing by a Gas Safe Registered Engineer. In IE servicing work must be carried out by a Registered Gas Installer (RGII).
12. Inform the householder of the guarantee/registration found within the envelope pack and the requirement to register it to receive the full benefit of the warranty.

3.1 SERVICING SCHEDULE

For the very latest copy of literature for specification & maintenance practices, visit our website www.idealboilers.com, where you will be able to download the relevant information.

WARNING. Always turn OFF the gas supply at the gas service cock, and switch OFF and disconnect the electricity supply to the appliance before servicing.

Combustion testing must be carried out by a competent person using a combustion analyser conforming to BS 7927.

To ensure the continued safe and efficient operation of the appliance it is recommended that it is checked at regular intervals and serviced as necessary. The frequency of servicing will depend upon the installation condition and usage but should be carried out at least annually.

It is the law that any service work must be carried out by a Gas Safe Registered Engineer. In IE service work must be carried out by a Registered Gas Installer (RGI).

INSPECTION

1. Light the boiler and carry out a pre-service check, noting any operational faults.
2. Check the flue terminal (and terminal guard if fitted) is undamaged and clear of any obstruction.
3. Check all water and gas joints for signs of leakage. Remake any suspect joints ensuring a gas tightness check is carried out if applicable and the water system is correctly refilled, vented and re-pressurised.

CLEANING PROCEDURE

Note. In order to carry out either servicing or replacement of components the boiler front panel must be removed. Refer to Section 3.2.

1. Clean the main burner. Refer to Section 3.6.
2. Clean the heat exchanger & condensate trap/siphon. Refer to Sections 3.7 & 3.8.
3. Check the main injector for blockage or damage. Refer to Section 3.5.
4. Check that the flue terminal is unobstructed and that the flue system is sealed correctly.

The cleaning procedures are covered more fully in Section 3.4 to 3.8 and **MUST** be carried out in sequence.

IMPORTANT.

5. After completing the servicing or exchange of components always ensure all gas valve connections are gas tight with a gas soundness check up to the gas control valve.
6. When work is complete the front panel **MUST** be correctly refitted, ensuring that a good seal is made.

Do NOT OPERATE the boiler if the front panel is not fitted.

7. For cleaning of Ideal System Filter please refer to section 3.32.
8. If, for any reason, the condensate trap/siphon has been removed ensure the trap is refilled with water before reassembling.
9. Check the gas consumption.
10. Check combustion by connecting the flue gas analyser to the flue gas sampling point as shown in the diagram and measure CO & CO₂ at maximum rate. To set the boiler to Maximum and Minimum heat inputs see page 42. Repeat at minimum rate.

If the CO/CO₂ ratio is greater than 0.004% AND the integrity of the complete flue system and combustion circuit seals have been verified and the inlet gas pressure (and gas rate) have been verified, then contact Ideal.

11. Clean the Ideal system filter, refer to system filter installation and maintenance guide for correct method of servicing.
12. Complete the service section in the Benchmark Commissioning Checklist.

GENERAL

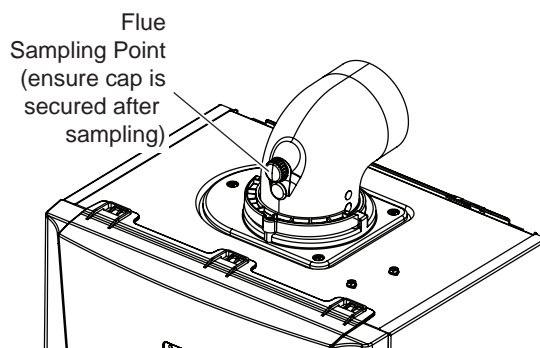
Please Note: During routine servicing, and after any maintenance or change of part of the combustion circuit, the following must be checked:

- The integrity of the flue system and the flue seals
- The integrity of the boiler combustion circuit and the relevant seals
- The operational (working) gas inlet pressure at maximum rate
- The gas rate
- The combustion performance

COMPETENCE TO CARRY OUT THE CHECK OF COMBUSTION PERFORMANCE

Please Note: BS 6798 Specification for installation and maintenance of gas-fired boilers of rated input not exceeding 70kW net advises that:

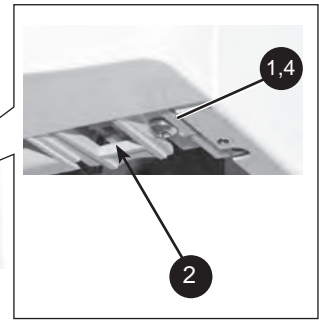
- The person carrying out a combustion measurement should have been assessed as competent in the use of a flue gas analyser and the interpretation of the results.
- The flue gas analyser used should be one meeting the requirements of BS 7927 or BS-EN50379-3 and be calibrated in accordance with the analyser manufacturers requirements, and
- Competence can be demonstrated by satisfactory completion of the CPA1 ACS assessment, which covers the use of electronic portable combustion gas analysers in accordance with BS 7967, Parts 1 to 4.



3.2 BOILER FRONT PANEL REMOVAL / REPLACEMENT

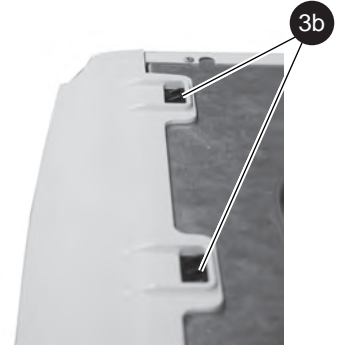
REMOVAL

1. Loosen the 2 screws retaining the front panel at the underside of the boiler.
2. Release catches at underside of the front panel by pulling downwards.
- 3a. Pull the underside of the front panel forward then lift upwards to remove.



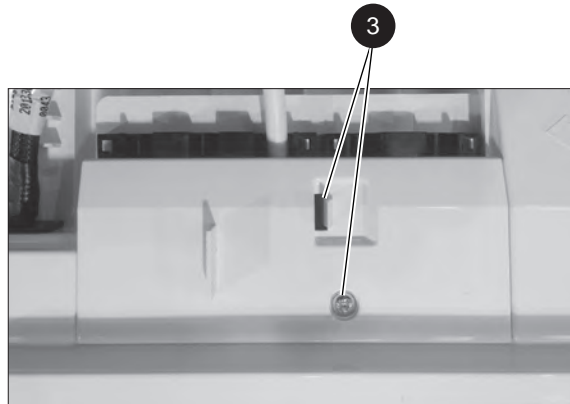
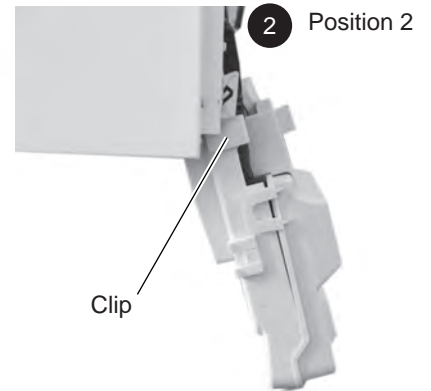
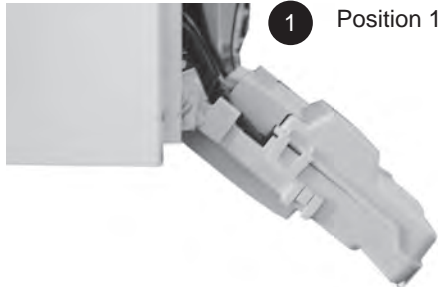
REPLACEMENT

- 3b. Engage the top of the front panel on the locating lugs and push the panel back into position until the catches click into place.
4. Re-tighten the securing screws.



3.3 LOWERING THE CONTROLS PANEL / ACCESSING MAINS WIRING

1. Once the front panel has been removed the controls panel can be hinged down to access the wiring and electronics or the internal components of the boiler.
2. To lower the panel further (position 2) squeeze the 2 clips inward and hinge the panel into a lower position.
3. To gain access to the mains wiring connections, remove retaining screw, press the retaining lug to the left and lift off the cover.

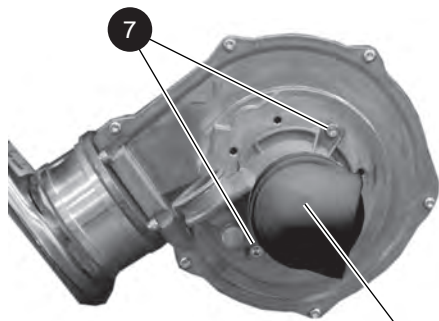
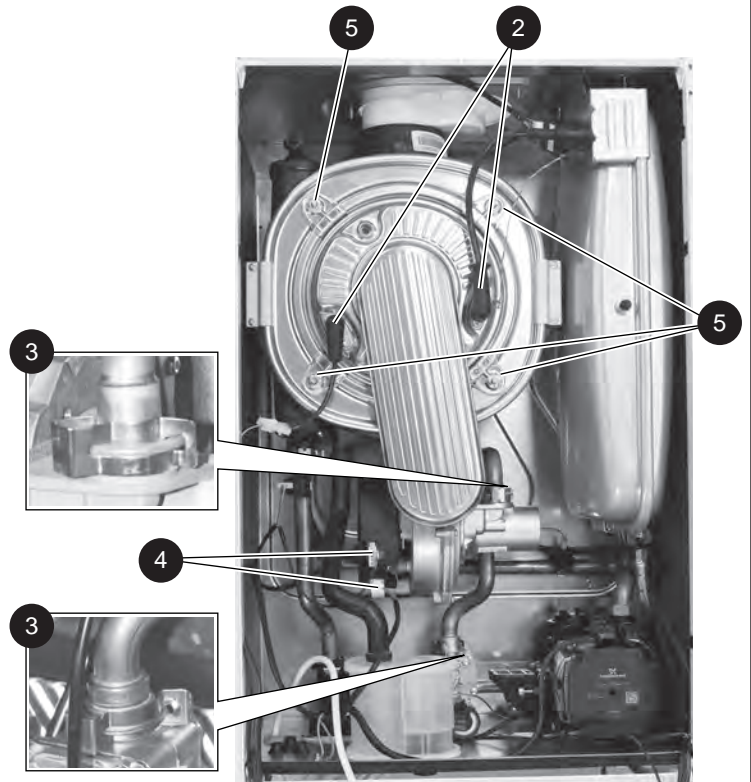


3.4 FAN AND VENTURI ASSEMBLY REMOVAL AND CLEANING

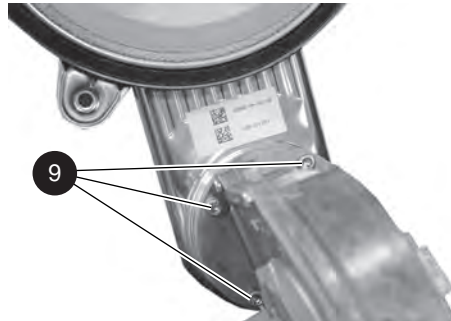
1. Refer to Sections 3.2 & 3.3.
2. Remove the ignition, detection and earth leads.
3. Remove the 2 clips securing the gas inlet pipe and remove the pipe.
4. Remove the fan low voltage and mains connections.
5. Remove the 4 securing nuts retaining the burner/ fan assembly.
6. Remove the assembly from the heat exchanger.
7. To remove the venturi release the 2 securing screws to gain access for cleaning.
8. When replacing check the sealing gasket is undamaged or replace as necessary, and secure with the 2 screws.

*Note a noise damper is fitted to the venturi inlet on 32 models.

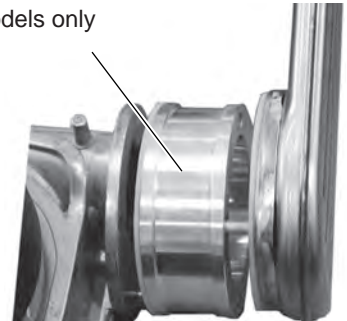
9. To remove the fan, first remove the venturi as above and release the 3 screws securing the fan to the burner. (Note a mounting spacer is fitted to the fan outlet on 32 model only)
10. Remove the fan from the burner assembly. When replacing check the sealing gasket is undamaged or replace as necessary, and secure with the 3 screws.



Noise Damper
Fitted on 32 models only

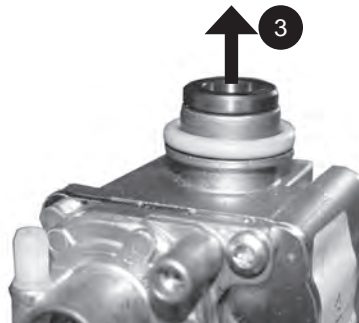


Mounting Spacer
Fitted on 32 models only



3.5 REMOVAL OF INJECTOR

1. Refer to Sections 3.2 & 3.3.
3. Remove the 2 clips securing the gas inlet pipe and remove the pipe, refer to Section 3.4.
3. Carefully ease the injector out of the gas valve.
4. Examine or clean as necessary.
5. Re-fit in reverse order ensuring the sealing o ring is in good condition or replace if necessary.
6. Refit the gas pipe ensuring the seals are in good condition and correctly located & secure with clips.



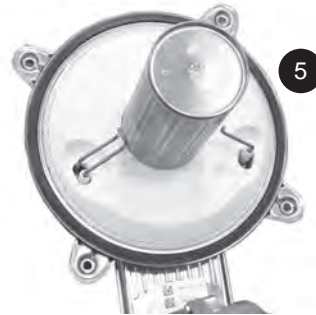
3.6 BURNER REMOVAL AND CLEANING

1. Refer to Sections 3.2 & 3.3
2. To remove Fan, Burner and Venturi Assembly refer to Section 3.4.
3. Remove the assembly from the heat exchanger.
4. Brush off any deposits with a SOFT brush.
- 5a. Inspect the burner door sealing gaskets and insulation for signs of damage. Replace as necessary.



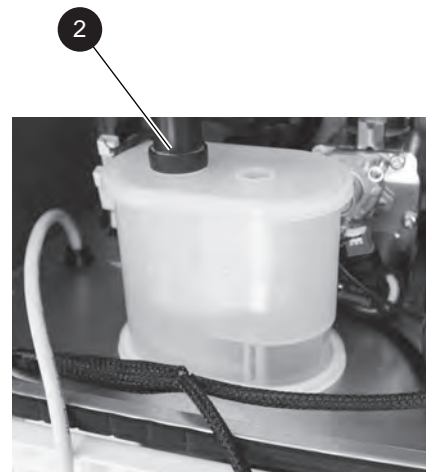
Replacement of burner door sealing gasket

- 5b. Remove the silicon seal from around the burner door location groove.
6. Re-new the seal and replace in reverse order.



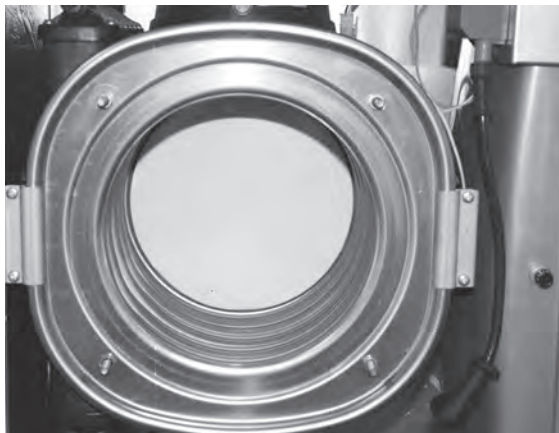
3.7 CLEANING THE CONDENSATE TRAP / SIPHON

1. Refer to Sections 3.2 & 3.3.
2. Remove the rubber condensate pipe from the top of the trap.
3. Rotate the trap clockwise to disengage the trap and lift clear of the outlet connection.
4. Flush out any debris under running water, and leave the trap half full of water.
5. Refit in reverse order making sure the trap is engaged with the outlet connection.
6. Re-position CH water pressure switch.



3.8 CLEANING THE HEAT EXCHANGER

1. Refer to Sections 3.2 & 3.3.
2. Remove Fan, Burner and Venturi Assembly. Refer to Section 3.4.
3. Once the front of the heat exchanger is open, the heat exchanger may be cleaned with a hand brush and vacuum cleaner to remove any debris.
4. Refit in reverse order.



3.9 RE-ASSEMBLY

1. Reassemble the boiler in the following order:
2. Ensure the condensate trap is engaged in the base of the boiler and connected to the outlet with the pipe from the heat exchanger connected.
3. Refit the fan to the burner assembly. Refer to Section 3.4.
4. Refit the venturi to the fan and burner assembly. Refer to Section 3.4.
5. Refit the burner/fan/venturi assembly into the heat exchanger and secure. Refer to Section 3.4.
6. Refit the gas pipe and secure with the 2 clips. Refer to Section 3.4.
7. Reconnect the ignition/detection/earth/fan leads.
8. Swing the control panel back into its working position. Refer to Section 3.3.
9. Refit the front panel ensuring that a good seal is made. Refer to Section 3.2.
10. Turn on the gas supply at the gas service cock. Refer to Section 2.23.
11. Reconnect the electrical supply.
12. Check the operation of the boiler. Refer to Sections 2.24 - 2.27.

3.10 REPLACEMENT OF COMPONENTS

When replacing ANY component:

1. Isolate the electrical supply
2. Isolate water connections
3. Turn off the gas supply
4. Remove the front panel
5. Swing the control panel down into the service position

After replacing ANY component check operation of the boiler, including gas tightness, gas rate and combustion test.

IMPORTANT.

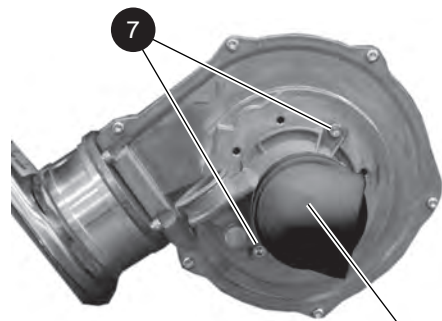
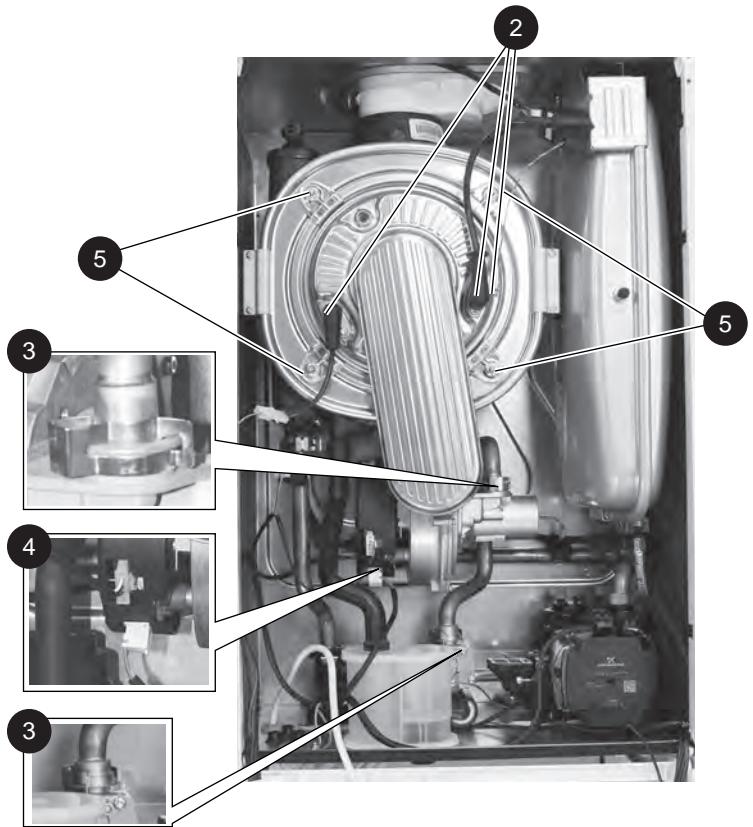
Ensure all gas valve connections are gas tight with a gas soundness check up to the gas control valve.

When work is complete, the front panel must be correctly refitted - ensuring that a good seal is made.

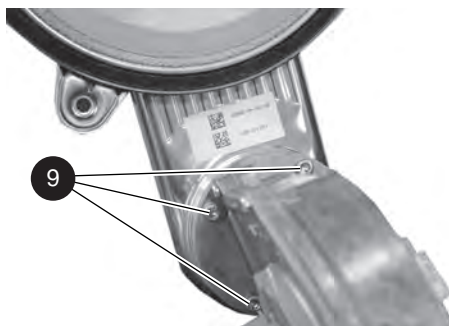
THE BOILER MUST NOT BE OPERATED WITHOUT THE FRONT PANEL FITTED.

3.11 FAN REPLACEMENT

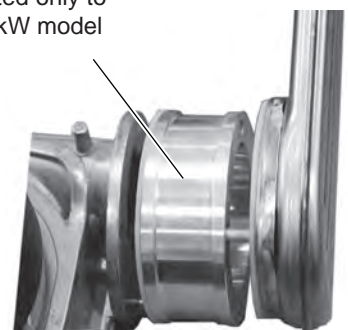
1. Refer to Sections 3.2 & 3.3.
2. Remove the ignition, detection and earth leads.
3. Remove the 2 clips securing the gas inlet pipe and remove the pipe.
4. Remove the fan low voltage and mains connections.
5. Remove the 4 securing nuts retaining the burner/fan assembly.
6. Remove the assembly from the heat exchanger.
7. To remove the venturi release the 2 securing screws to gain access for cleaning.
8. When replacing check the sealing gasket is undamaged or replace as necessary, and secure with the 2 screws.
9. To remove the fan, first remove the venturi as above and release the 3 screws securing the fan to the burner.
(Note a mounting spacer is fitted to the fan outlet on 32kW model only)
10. Replace the fan and refit the venturi checking the sealing gasket is undamaged or replace as necessary, and secure with the 2 screws
**Note a noise damper is fitted to the venturi inlet on the 32kW models*
**Note a mounting spacer is fitted to the fan outlet on 32kW.*
11. Check the operation of the boiler. Refer to Sections 2.24 - 2.27.



Noise Damper
Fitted only to 32kW model

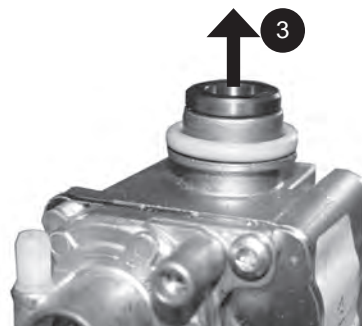


Mounting Spacer
Fitted only to 32kW model



3.12 BURNER INJECTOR REPLACEMENT

1. Refer to Sections 3.2 to 3.4
2. Remove the 2 clips securing the gas inlet pipe and remove the pipe.
3. Carefully ease the injector out of the gas valve.
4. Replace injector 'O' ring.
5. Re-fit in reverse order ensuring the sealing o ring is in good condition or replace if necessary.
6. Refit the gas pipe ensuring the seals are in good condition and correctly located.
7. Secure with the clips.
8. Check the operation of the boiler. Refer to Sections 2.24 - 2.27.



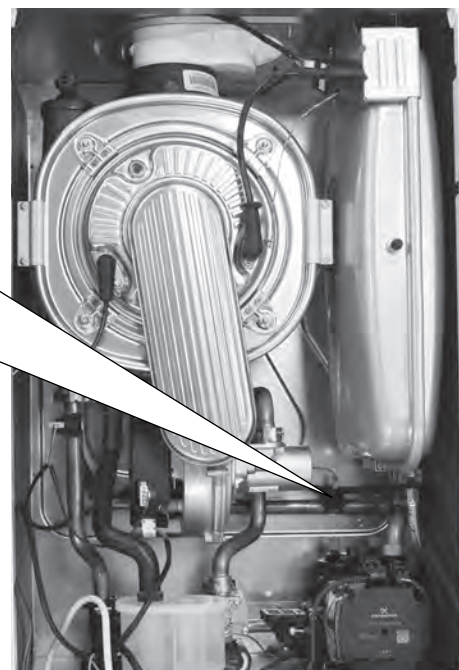
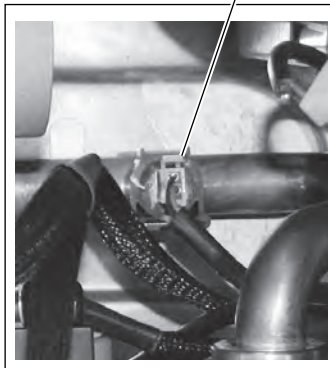
3.13 BURNER/DOOR ASSEMBLY REPLACEMENT

1. Refer to Sections 3.2 to 3.4.
2. Remove the ignition, detection and earth leads.
3. Remove the 2 clips securing the gas inlet pipe and remove the pipe.
4. Remove the fan leads.
5. Remove the 4 securing nuts retaining the burner/door/fan assembly.
6. Remove the assembly from the heat exchanger.
7. To remove the venturi release the 2 securing screws.
8. To remove the fan release the 3 screws securing the fan to the burner / door assembly.
9. Remove the ignition and detection probes.
10. Refit the fan, venturi, ignition probe and detection probe to the new burner / door assembly.
11. Refit in reverse order
12. Check the operation of the boiler. Refer to Sections 2.24 - 2.27.



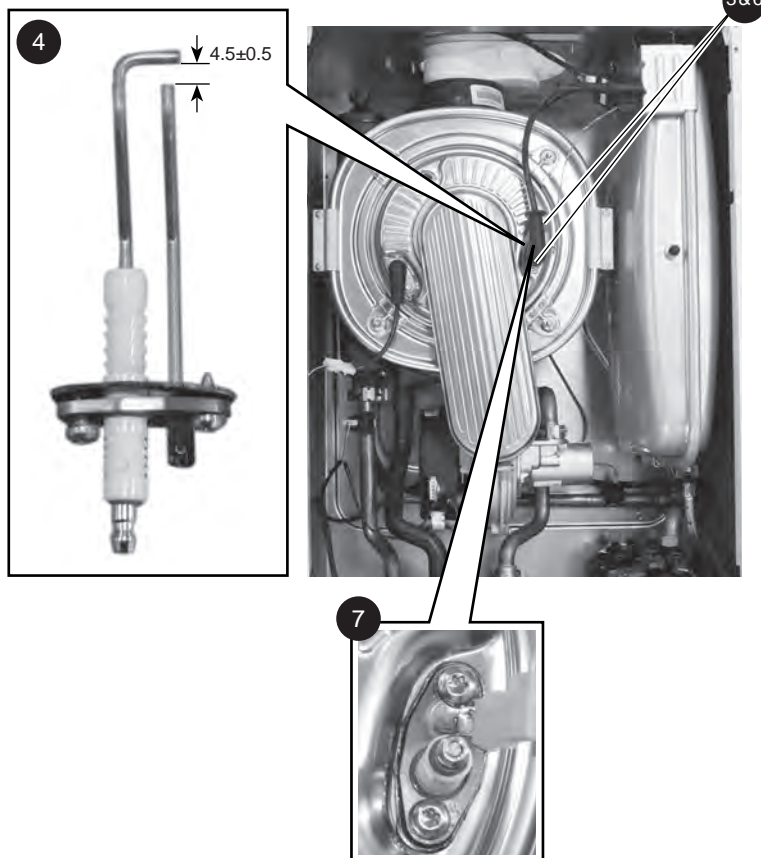
3.14 RETURN THERMISTOR RENEWAL

1. Refer to Sections 3.2 to 3.3
2. Unclip the return thermistor.
3. Disconnect the electrical lead from the thermistor
4. Reconnect the electrical lead to the new thermistor and reassemble in reverse order, ensuring that the thermistor is securely fitted to the pipe on the thermistor locator tabs as shown.
5. Check the operation of the boiler. Refer to Sections 2.24 - 2.27.



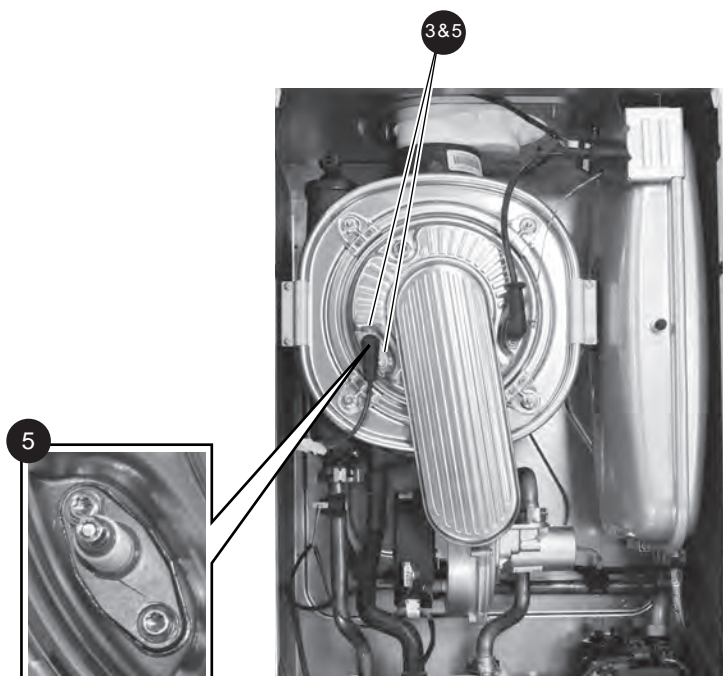
3.15 IGNITION ELECTRODE REPLACEMENT

1. Refer to Sections 3.2 & 3.3.
2. Disconnect the ignition lead and the earth connection
3. Release the 2 securing screws and carefully withdraw the probe.
4. Check the gap on the replacement ignition electrode is 4.5 ± 0.5 mm.
5. Ensure the sealing gasket is fitted and in good condition
6. Carefully feed the electrode into the burner/door assembly and secure with the 2 screws ensuring correct orientation.
7. Reconnect the ignition lead and earth.
8. Check the operation of the boiler. Refer to Sections 2.24 - 2.27.



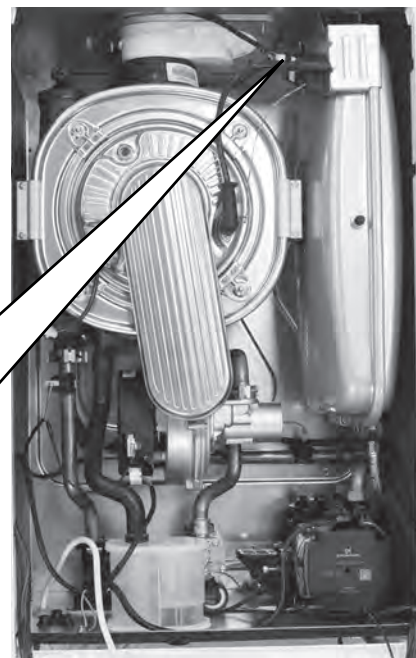
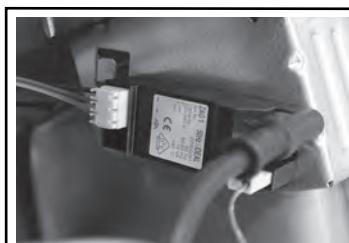
3.16 FLAME DETECTION ELECTRODE REPLACEMENT

1. Refer to Sections 3.2 & 3.3.
2. Disconnect the detection lead.
3. Release the 2 securing screws and withdraw the probe.
4. Ensure the sealing gasket is fitted to the replacement electrode and in good condition
5. Carefully feed the electrode into the burner/door assembly and secure with the 2 screws ensuring correct orientation.
6. Reconnect the detection lead.
7. Check the operation of the boiler. Refer to Sections 2.24 - 2.27.



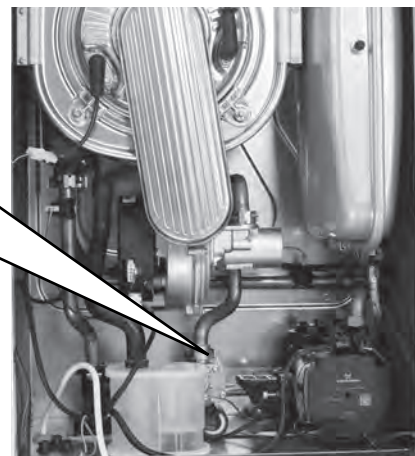
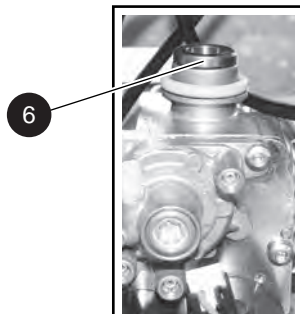
3.17 SPARK GENERATOR REPLACEMENT

1. Refer to Sections 3.2 & 3.3.
2. Disconnect the leads from the spark generator.
3. Remove spark generator by pulling forwards to release the retaining clip, then push back to release the second retaining clip.
4. Fit the new spark generator and re-assemble in reverse order ensuring that the the earth lead is replaced.
5. Check the operation of the boiler. Refer to Sections 2.24 - 2.27.



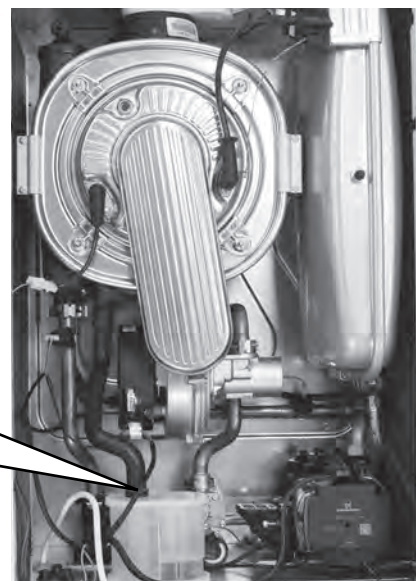
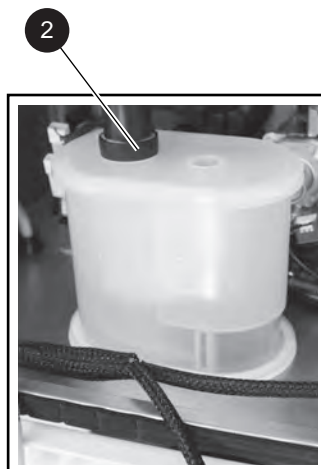
3.18 GAS CONTROL VALVE REPLACEMENT

1. Refer to Sections 3.2 & 3.3.
2. Remove the gas inlet pipe. Refer to Section 3.4.
3. Unplug the electrical connection.
4. Disconnect the gas service cock, refer to Section 2.23.
5. Remove the 2 securing screws in the underside of the boiler casing and remove the valve.
6. Remove brass injector from gas valve outlet and re-fit into replacement valve.
7. Replace in reverse order ensuring all seals are in good condition and the assembly is gas sound.
8. Ensure all gas valve connections are gas tight with a gas soundness check up to the gas control valve.
9. Check the operation of the boiler. Refer to Sections 2.24 - 2.27.



3.19 CONDENSATE TRAP REPLACEMENT

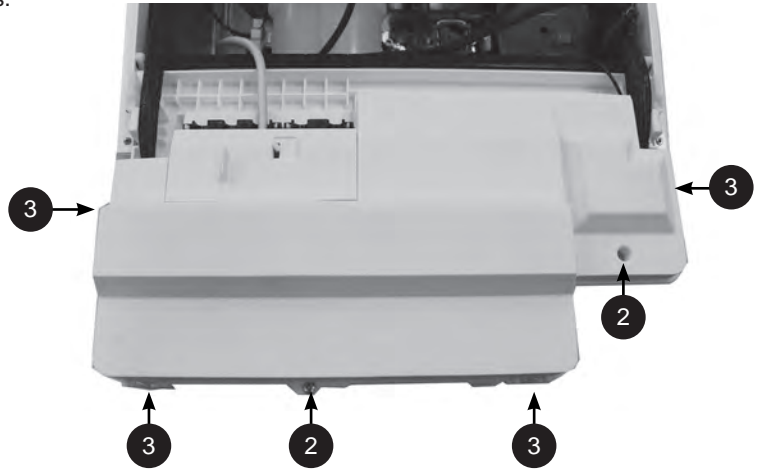
1. Refer to Sections 3.2 & 3.3.
2. Remove the rubber condensate pipe from the top of the trap.
3. Rotate the trap clockwise to disengage the trap and lift clear of the outlet connection.
4. Replace the trap and refit in reverse order making sure the trap is engaged with the outlet connection.
5. Refill the condensate trap.
6. Check the operation of the boiler. Refer to Sections 2.24 - 2.27.



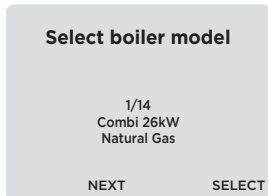
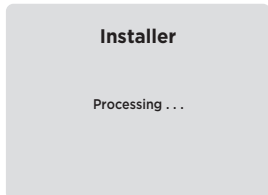
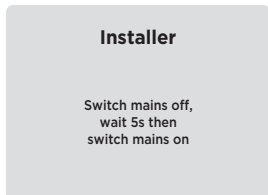
3.20 PCB REPLACEMENT

Note. Fit the earth strap provided with the PCB to your wrist and secure to a suitable earth on the boiler chassis.

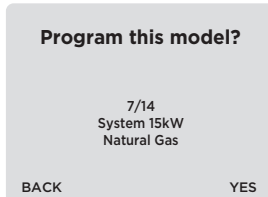
1. Refer to Sections 3.2 & 3.3.
2. Remove the 2 screws securing the controls housing lid.
3. Remove the electrical cover at the clips.
4. Carefully disconnect all electrical connectors.
5. Remove PCB from mounting posts by releasing the 3 clips.
6. Take new PCB and reconnect all plug connections.
7. Re-assemble in reverse order.
8. Turn power on and follow the on screen instructions as shown:



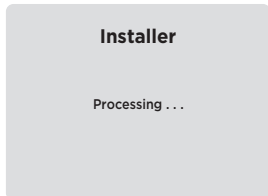
Press YES



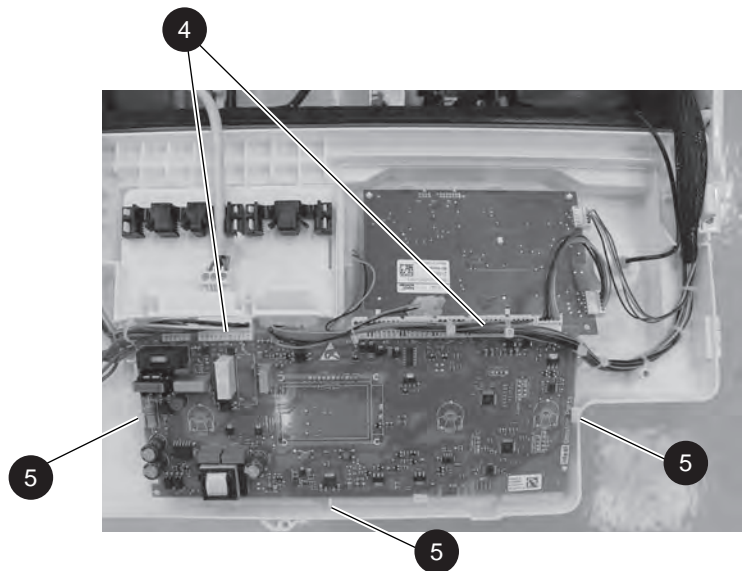
* Press NEXT until the desired boiler output and gas type is displayed. Then press SELECT



Press YES to confirm



The PCB will reset and the following screen will be shown.

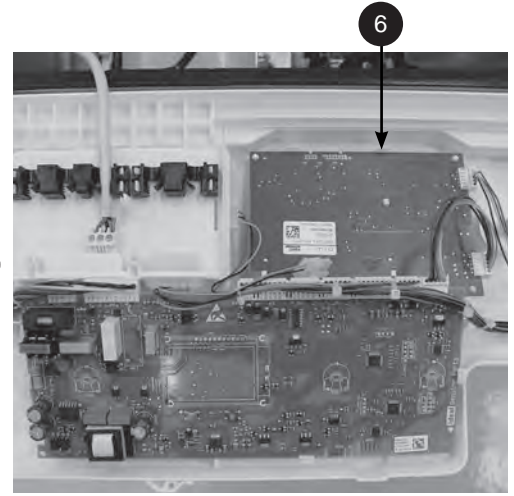


*** IMPORTANT.** IT IS CRITICAL FOR SAFE OPERATION THAT THE CORRECT BOILER SIZE AND FUEL TYPE IS ENTERED INTO THE BOILER.

SECTION 3 - SERVICING

3.21 USER PCB REPLACEMENT

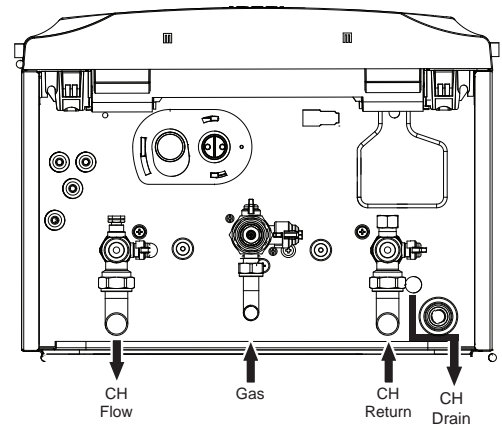
1. Set both the user temperature selector knobs to the 12 o'clock position.
2. Refer to Sections 3.2 & 3.3.
3. Remove the two screws securing the controls housing lid. Refer to Section 3.20.
4. Remove the electrical cover at the clips indicated. Refer to Section 3.20.
5. Disconnect the 2 electrical connectors carefully.
6. Remove PCB from mounting posts by releasing the 4 clips.
7. Replace the PCB and refit in reverse order.
8. Check the operation of the boiler. Refer to Sections 2.24 - 2.27.



3.22 DRAINING THE BOILER

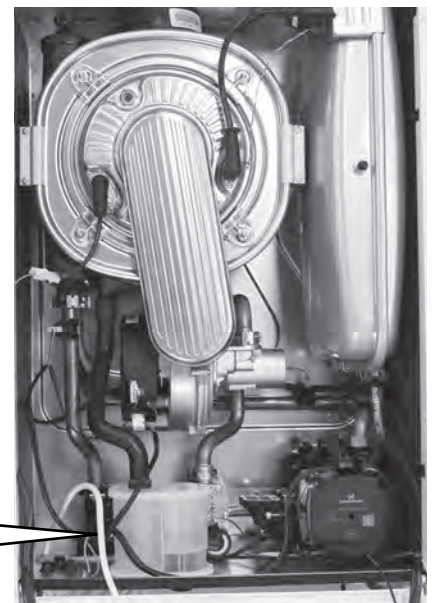
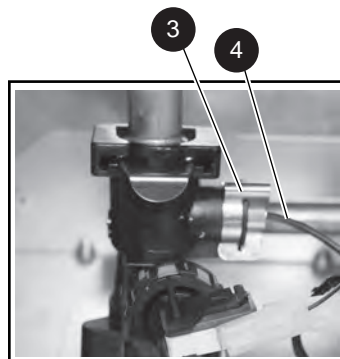
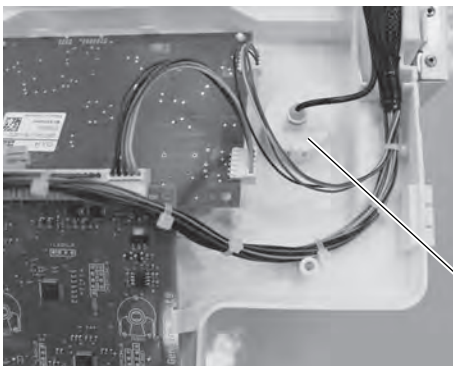
CENTRAL HEATING CIRCUIT

1. Close all the CH water isolating valves on the boiler inlet.
2. To drain the primary heat exchanger circuit: Open the drain point by unscrewing using a flat blade screw driver and attach a length of drain hose.
3. After replacing any component on the boiler, remove the hose, close the drain valve and open all system isolating valves (re-pressurise as appropriate by re-connecting the filling loop, refer to Section 2.15) before proceeding to check operation of the boiler.
4. Disconnect the system filling loop. Refer to Section 2.15.
5. Check operation of the boiler. Refer to Sections 2.24 - 2.27.



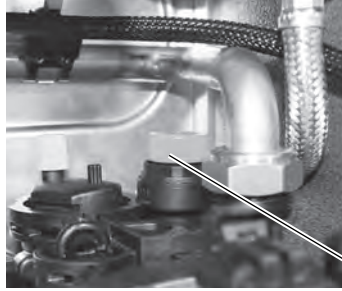
3.23 PRESSURE GAUGE RENEWAL

1. Refer to Sections 3.2 & 3.3.
2. Close the isolating service valves and drain the (CH) boiler. Refer to Section 3.22.
3. Remove the clip retaining the pressure sensor capillary.
4. Remove the pressure sensor capillary.
5. Remove the two screws securing the controls housing lid. Refer to Section 3.20.
6. Remove the electrical cover at the clips indicated. Refer to Section 3.20.
7. Release the clip retaining the pressure gauge and remove the gauge, drawing the capillary carefully through the rubber grommet and out of the boiler.
8. Refit in reverse order. Refill the CH system. Refer to Section 2.15.
9. Check the operation of the boiler. Refer to Sections 2.24 to 2.26.

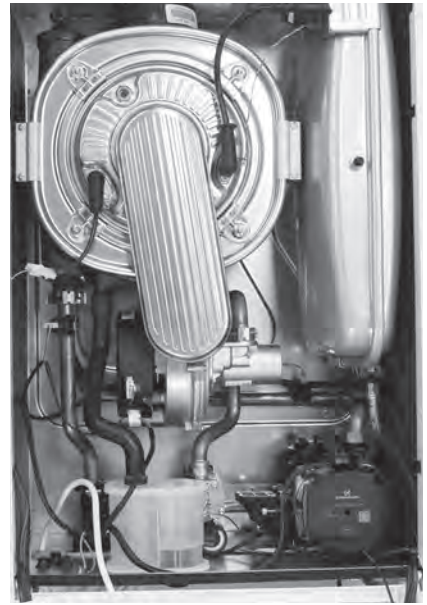


3.24 SAFETY PRESSURE RELIEF VALVE RENEWAL

1. Refer to Sections 3.2 & 3.3.
2. Close the isolating service valves and drain the (CH) boiler. Refer to Section 3.22.
3. Remove the burner & Fan assembly, if required for access. Refer to Section 3.4.
4. Undo the Safety Relief Valve outlet retaining nut. (retaining the washer)
5. Remove the securing clip at the rear of the valve body.
6. Withdraw the valve vertically.
7. Renew the valve and refit in reverse order.
8. Refill the CH system. Refer to Section 2.15.
9. Check the operation of the boiler. Refer to Sections 2.24 - 2.27.



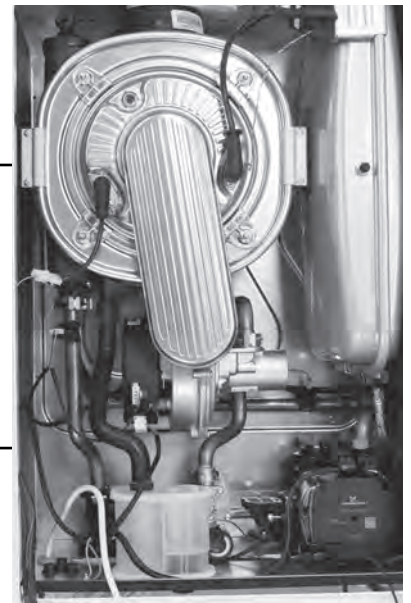
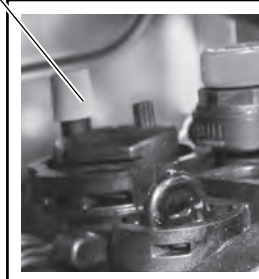
6



3.25 PUMP AUTO AIR VENT REPLACEMENT

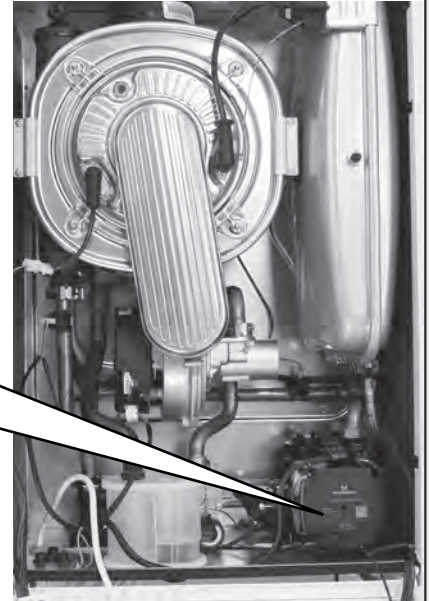
1. Refer to Sections 3.2 & 3.3.
2. Close the isolating service valves and drain the (CH) boiler. Refer to Section 3.22.
3. Remove the burner & Fan assembly, if required for access. Refer to Section 3.4.
4. The auto air vent is retained in the pump body with a bayonet connection. The air vent and float assembly is removed by turning the head anti-clockwise (viewed from above) and pulling upwards.
5. Ensure the air vent head o ring seal is in place when refitting and the seal is in place at the pump outlet connection.
6. Reassemble in reverse order.
7. Refill the CH system. Refer to Section 2.15.
8. Loosen the cap of the air vent.
9. Check the operation of the boiler. Refer to Sections 2.24 - 2.27.

4



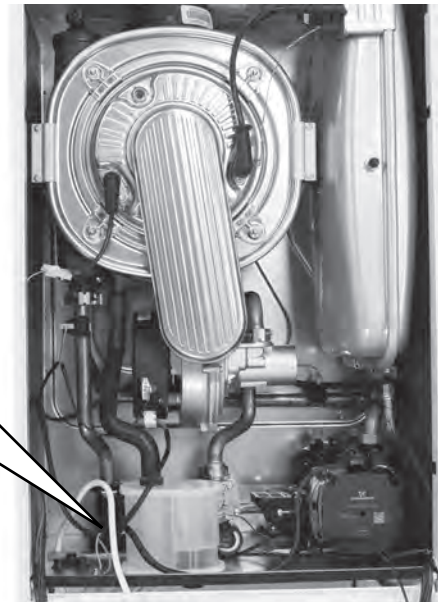
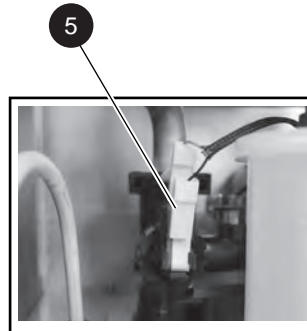
3.26 PUMP HEAD REPLACEMENT

1. Refer to Sections 3.2 & 3.3.
2. Close the isolating service valves and drain the (CH) boiler. Refer to Section 3.22.
3. Disconnect both electrical leads to the pump.
4. Remove the 4 Allen screws securing the pump head and remove.
5. Refit in reverse order.
6. Open the isolating valves and refill the CH system. Refer to Section 2.15.
7. Check the operation of the boiler. Refer to Sections 2.24 - 2.27.



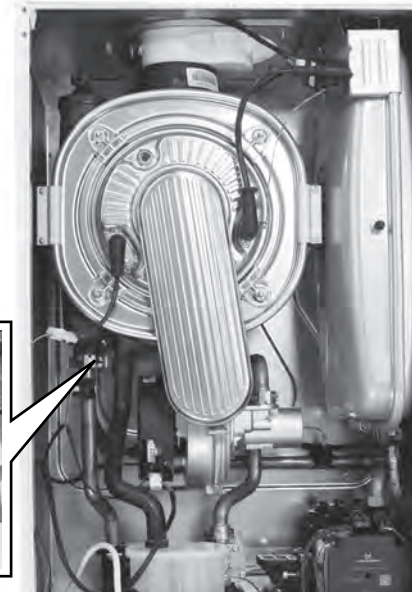
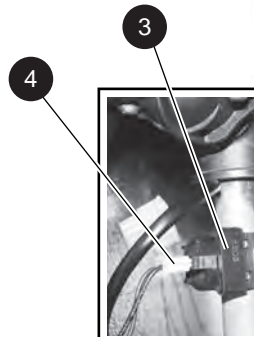
3.27 CH WATER PRESSURE SENSOR REPLACEMENT

1. Refer to Sections 3.2 & 3.3.
2. Close the isolating service valves and drain the (CH) boiler. Refer to Section 3.22.
3. Remove the condensate trap. Refer to Section 3.19.
4. Remove the retaining clip to the rear of the housing.
5. Pull out the sensor and disconnect the electrical connection.
6. Refit in reverse order.
7. Open the isolating valves and refill the CH system. Refer to Section 2.15.
8. Check the operation of the boiler. Refer to Sections 2.24 - 2.27.



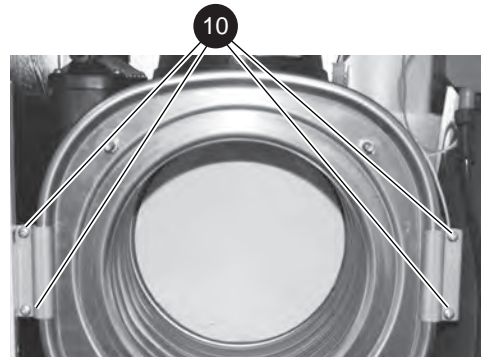
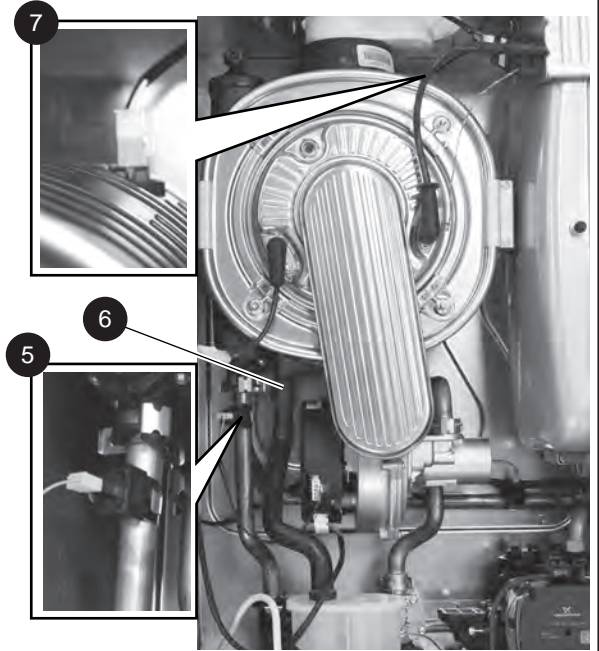
3.28 FLOW THERMISTOR REPLACEMENT

1. Refer to Sections 3.2 & 3.3.
2. Unclip the flow thermistor.
3. Disconnect the electrical lead from the thermistor.
4. Reconnect the electrical lead to the new thermistor and reassemble in reverse order, ensuring that the thermistor is securely fitted to the pipe on the thermistor locator tabs as shown.
5. Check the operation of the boiler. Refer to Sections 2.24 - 2.27.



3.29 HEAT EXCHANGER REPLACEMENT

1. Refer to Sections 3.2 & 3.3.
2. Close the isolating service valves and drain the (CH) boiler. Refer to Section 3.22.
3. Remove the condensate trap. Refer to Section 3.19.
4. Remove the Burner & Fan assembly. Refer to Section 3.4.
5. Remove the securing clips to disconnect the flow and return pipes below the heat exchanger.
6. Disconnect the condensate pipe from the sump.
7. Disconnect the thermal fuse lead.
8. Remove the horseshoe bracket and lift up the flue turret.
9. Remove the securing screws and disconnect the flue outlet.
10. Remove the 4 screws securing the heat exchanger fixing brackets.
11. Remove the heat exchanger forwards, lifting to clear the flow and return pipes.
12. Refit in reverse order. Ensure all wires and harnesses are in their correct position in order to prevent damage to them.
13. Open the isolating valves and refill the CH system. Refer to Section 2.15.
14. Ensure all gas valve connections are gas tight with a gas soundness check up to the gas control valve.
15. Check the operation of the boiler. Refer to Sections 2.24 - 2.27.



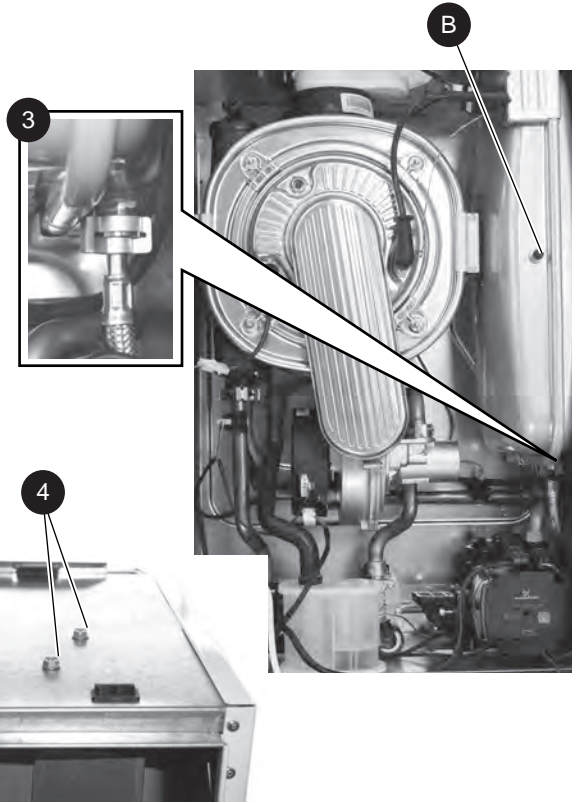
3.30 EXPANSION VESSEL RECHARGING AND REPLACEMENT

Recharging:

- A. Refer to Sections 3.2 & 3.3.
- B. Remove the charge point dust cover.
- C. Recharge the tank pressure to 0.75bar
- D. Refit in reverse order
- E. Check the operation of the boiler. Refer to Sections 2.24 - 2.27.

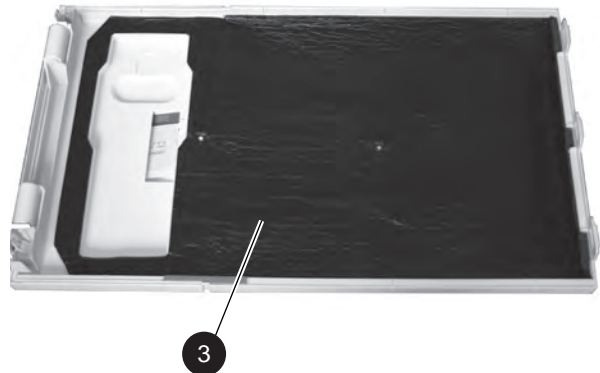
Replacement:

1. Refer to Sections 3.2 & 3.3.
2. Close the isolating service valves and drain the (CH) boiler. Refer to Section 3.22
3. Remove the clip securing the flexible connecting hose and disconnect.
4. Remove the two securing screws from the top of the casing at the same time holding the ignitor bracket to prevent movement.
5. Hold the expansion vessel and move the ignition assembly bracket carefully to one side.
6. Pull the bottom of the expansion vessel forward, when free pull vessel downwards and remove.
7. Refit in reverse order.
8. Open the isolating valves and refill the CH system. Refer to Section 2.15.
9. Check the operation of the boiler. Refer to Sections 2.24 - 2.27.



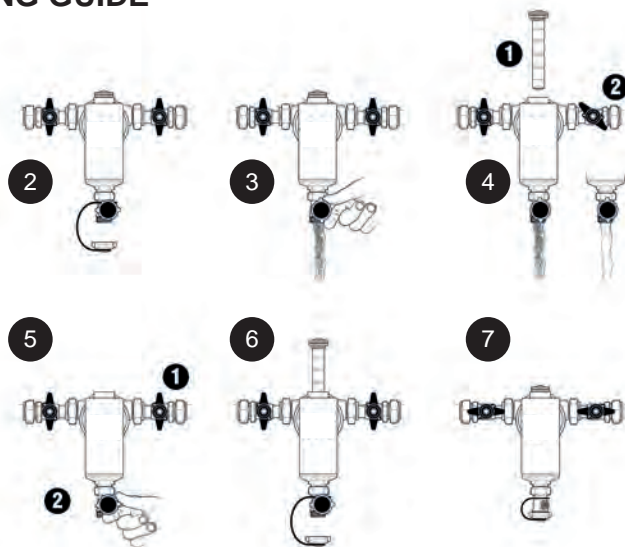
3.31 BOILER SEALING PANEL REPLACEMENT

1. Refer to Sections 3.2 & 3.3.
2. Remove the old seal from the casing.
3. Fit the new seal ensuring correct location over the fixing pins and the material is fully located within the casing.
4. Reassemble in reverse order.
5. Check the operation of the boiler. Refer to Sections 2.24 - 2.27.



3.32 EXTERNAL SYSTEM FILTER CLEANING GUIDE

1. Switch off the boiler (isolate electrical supply).
2. Close the inlet/outlet valves. Remove the drain valve cap.
3. Open the drain valve.
4. Remove the magnet. Slowly open the inlet valve to control the flow. Flush out the filter until the water runs clear.
5. Close the inlet valve. Close the drain valve.
6. Reinsert the magnet. Replace the drain valve cap.
7. Open inlet/outlet valves.
8. Restart the boiler.

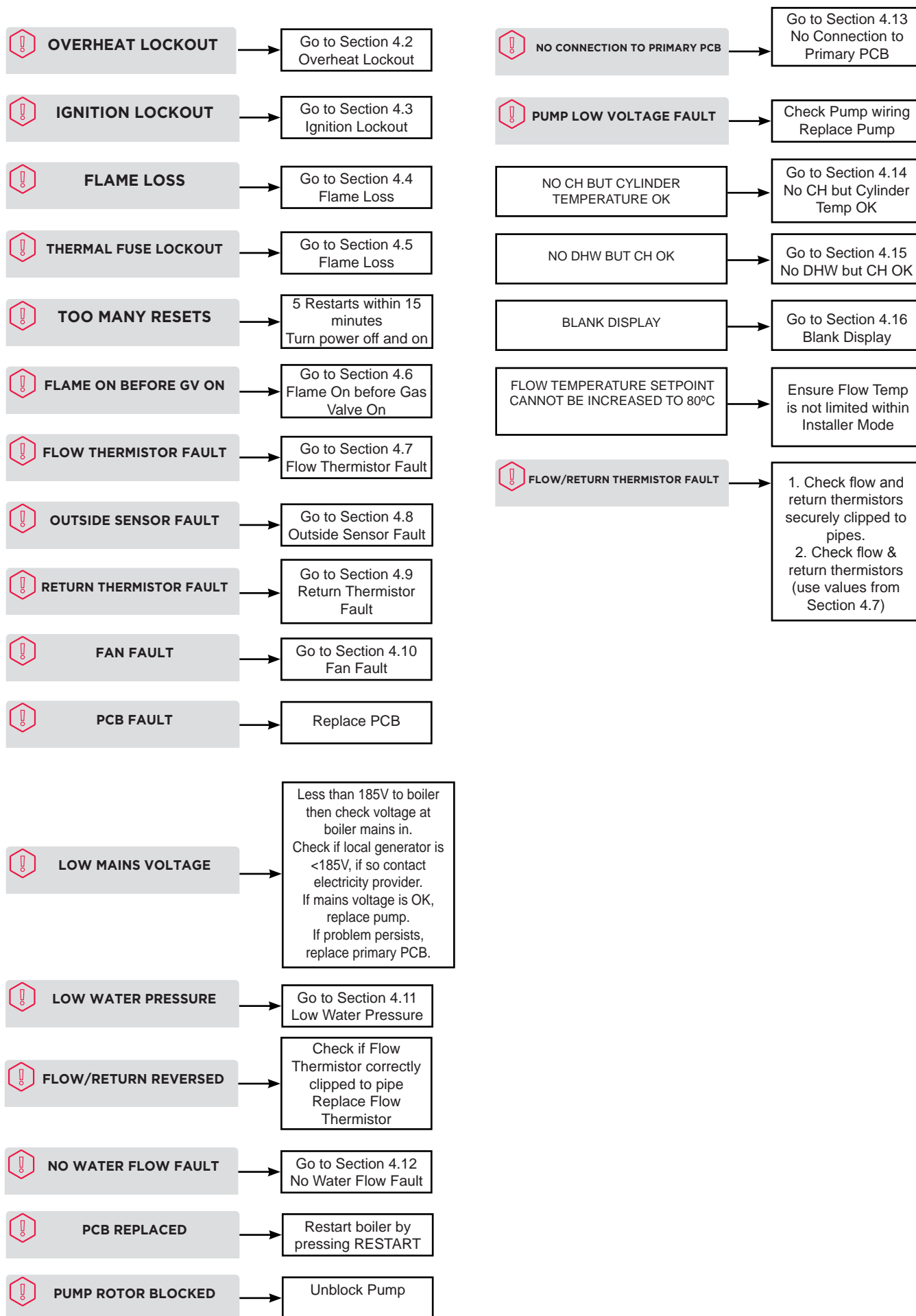


Ensure that the magnet sheath remains clean and dry.

Note: Remember to re-pressurise system after cleaning the filter, as loss of pressure will occur.

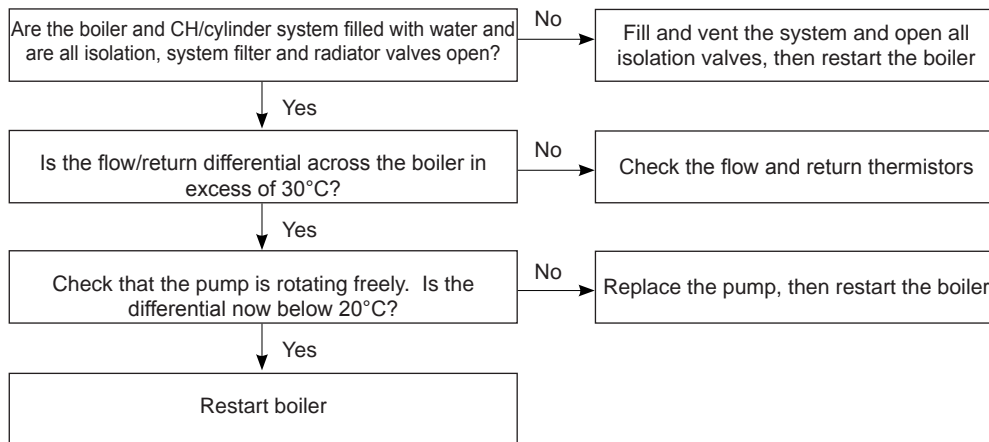
SECTION 4 - FAULT FINDING

4.1 FAULT FINDING CHART MAIN MENU

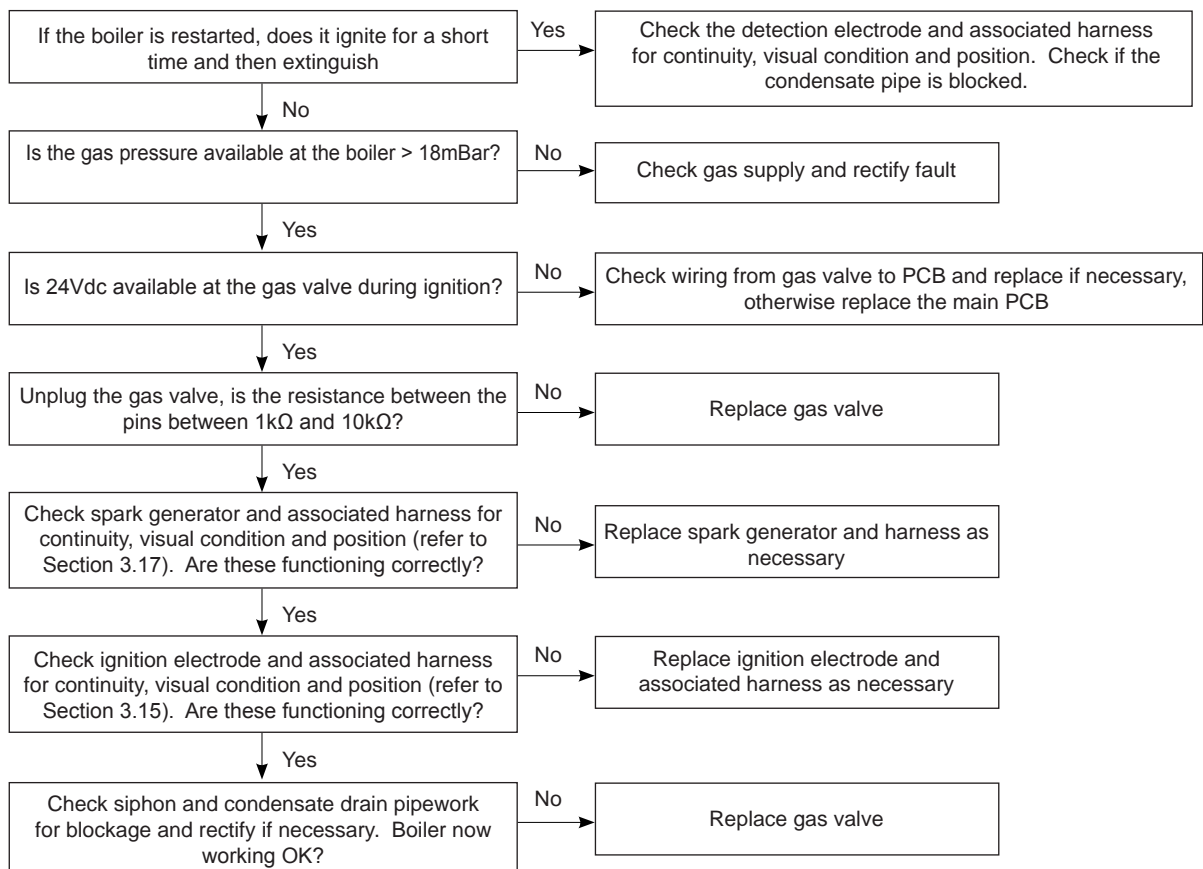


SECTION 4 - FAULT FINDING

4.2 OVERHEAT LOCKOUT

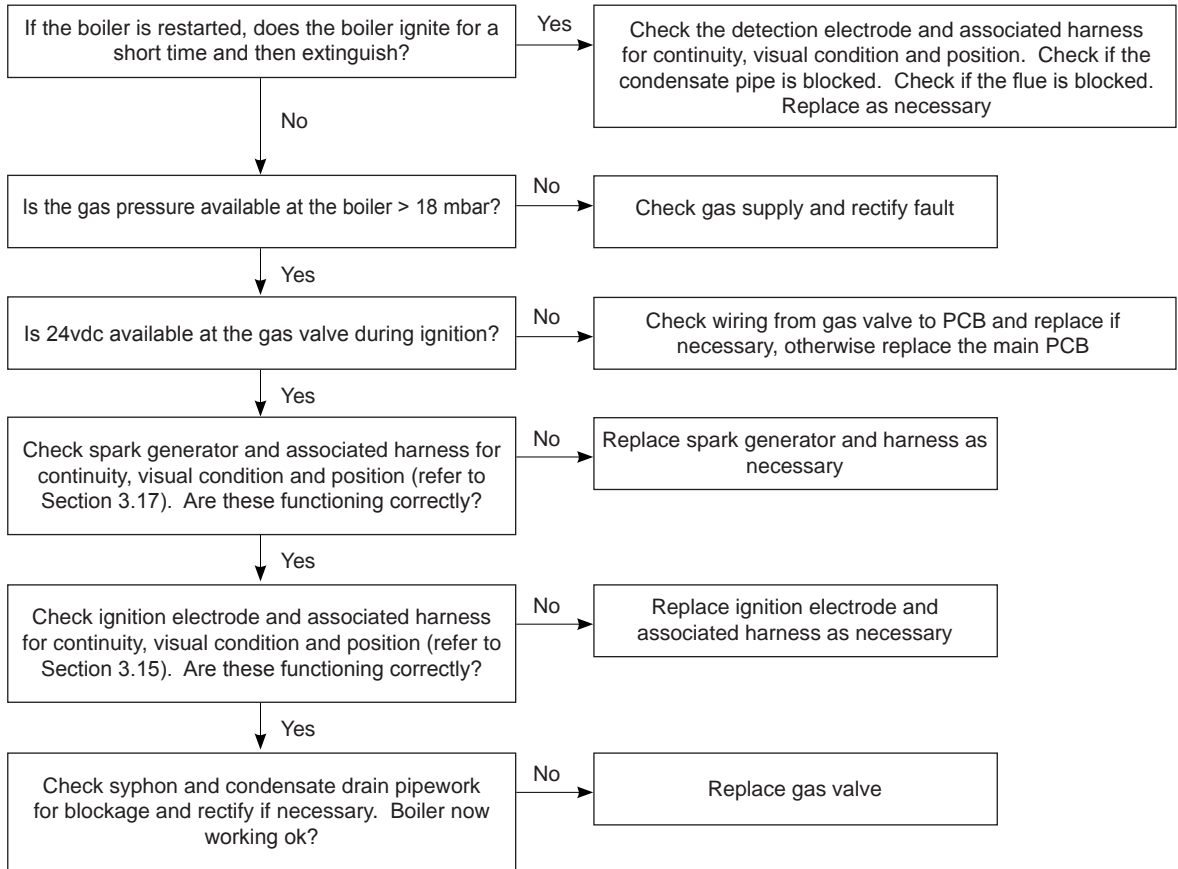


4.3 IGNITION LOCKOUT

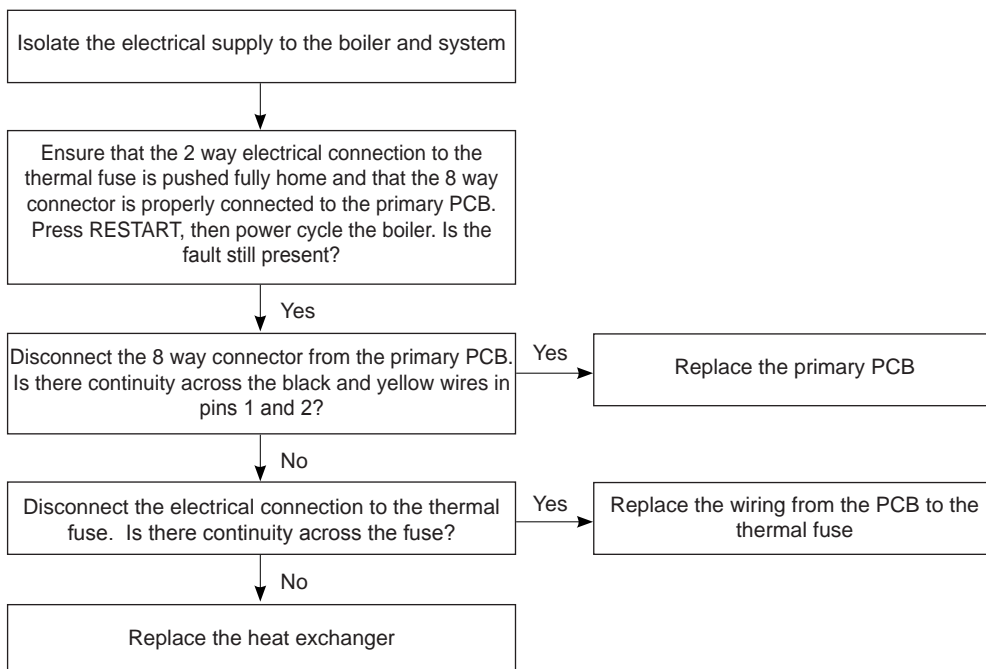


SECTION 4 - FAULT FINDING

4.4 FLAME LOSS

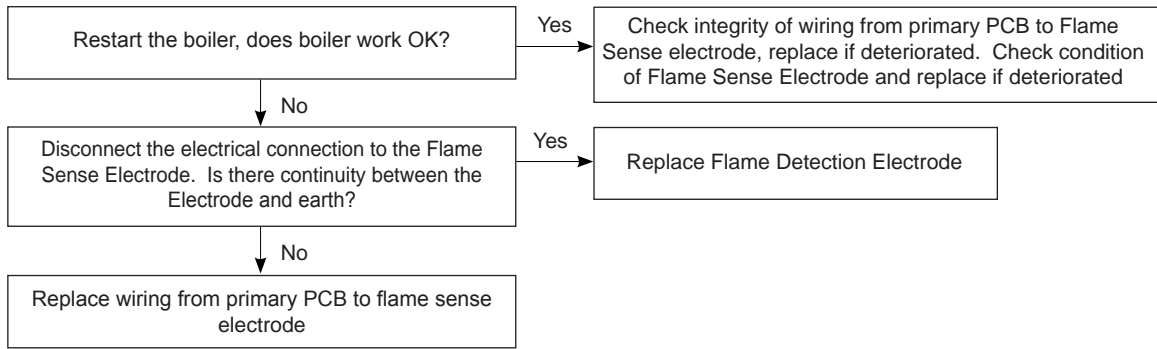


4.5 THERMAL FUSE LOCKOUT

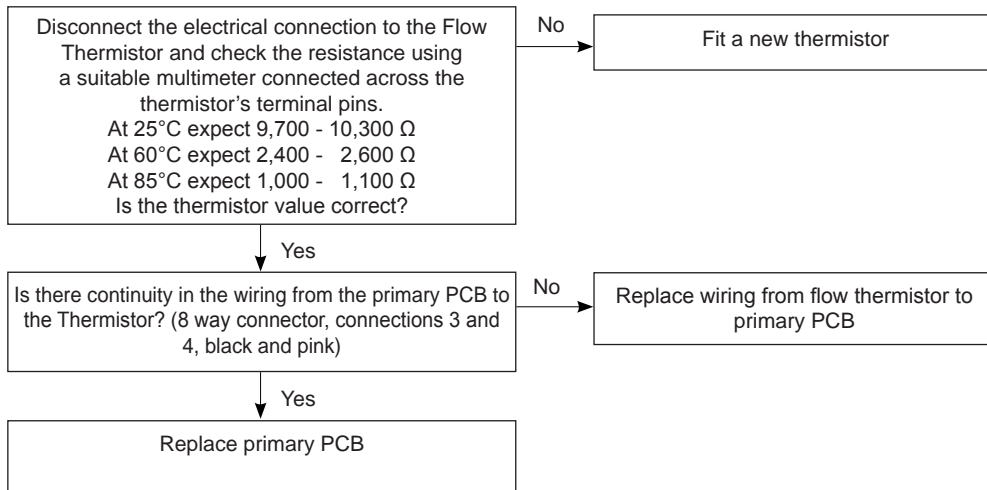


SECTION 4 - FAULT FINDING

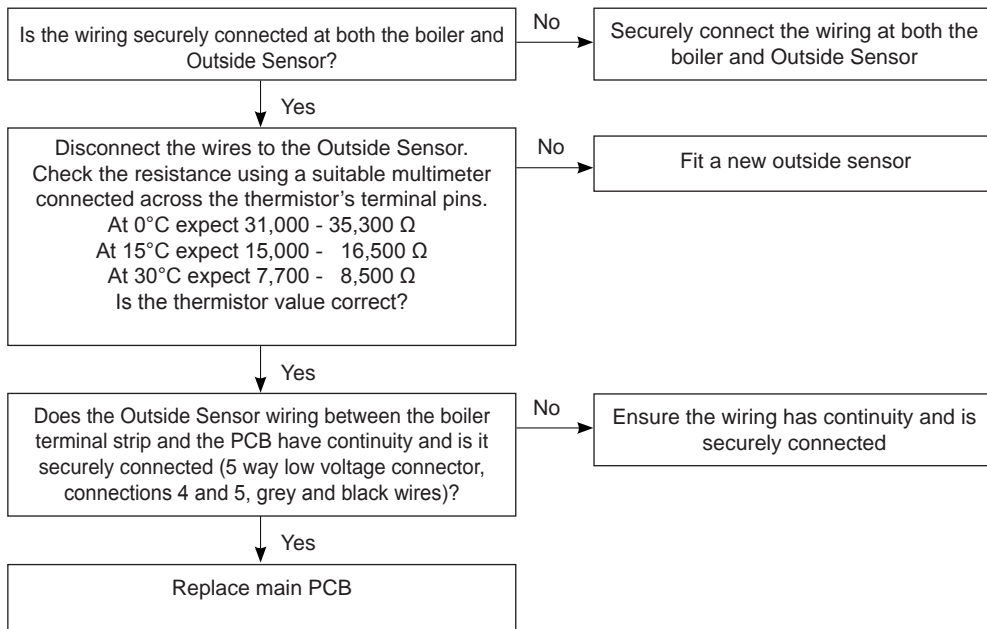
4.6 FLAME ON BEFORE GAS VALVE ON



4.7 FLOW THERMISTOR FAULT

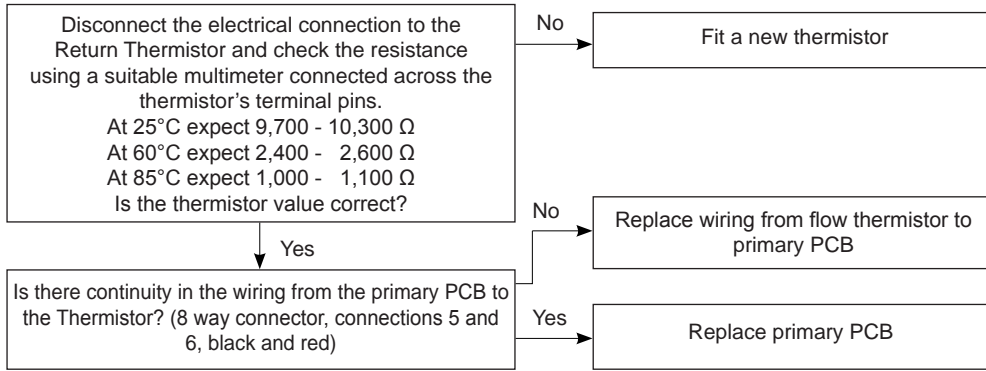


4.8 OUTSIDE SENSOR FAULT

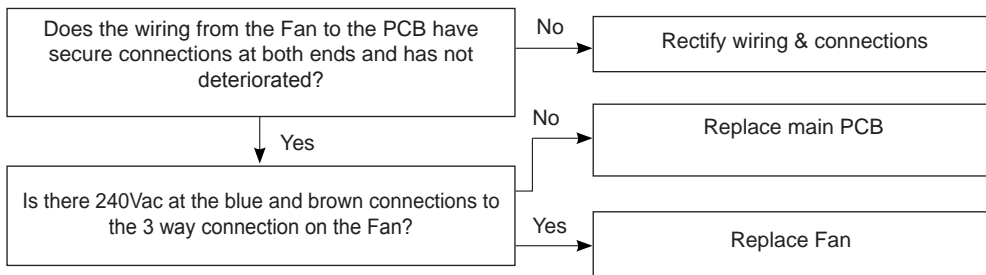


SECTION 4 - FAULT FINDING

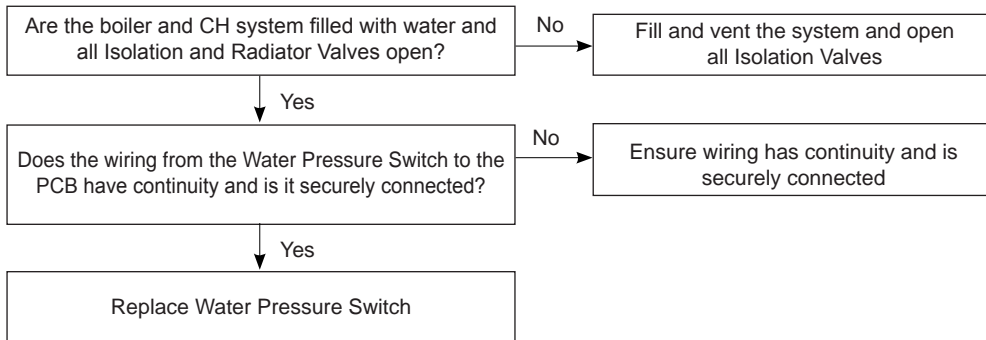
4.9 RETURN THERMISTOR FAULT



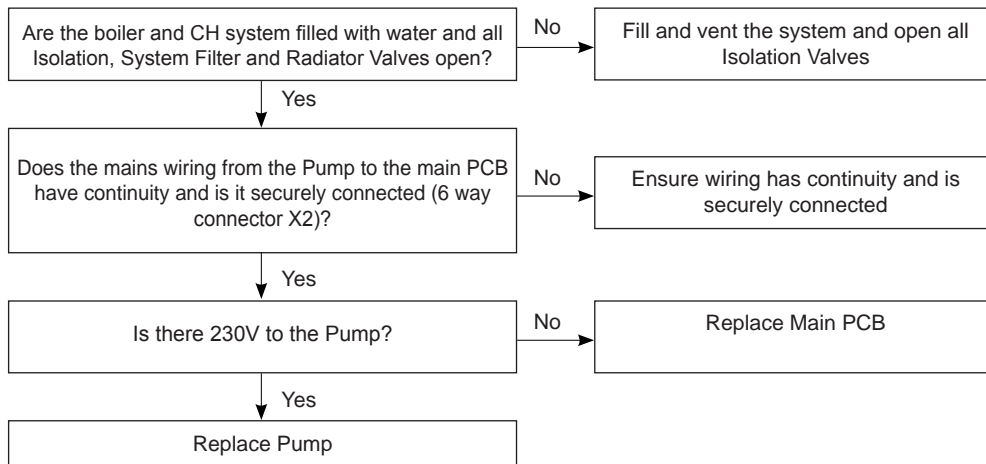
4.10 FAN FAULT



4.11 LOW WATER PRESSURE

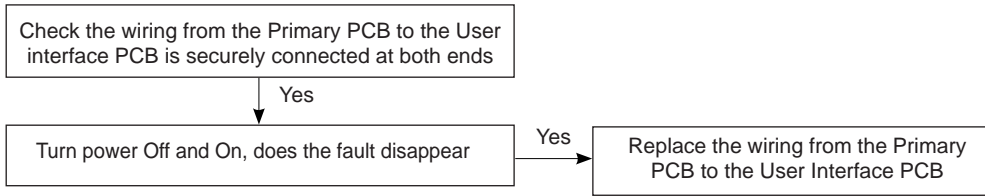


4.12 NO WATER FLOW

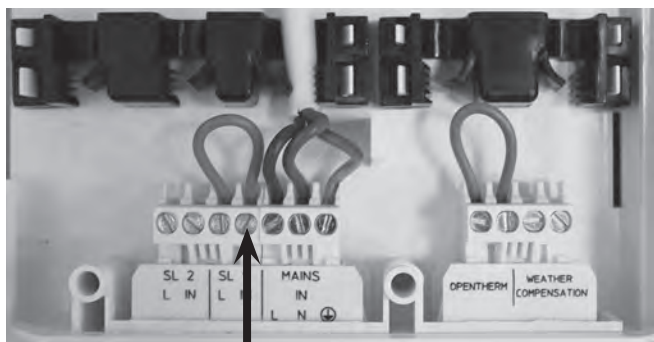
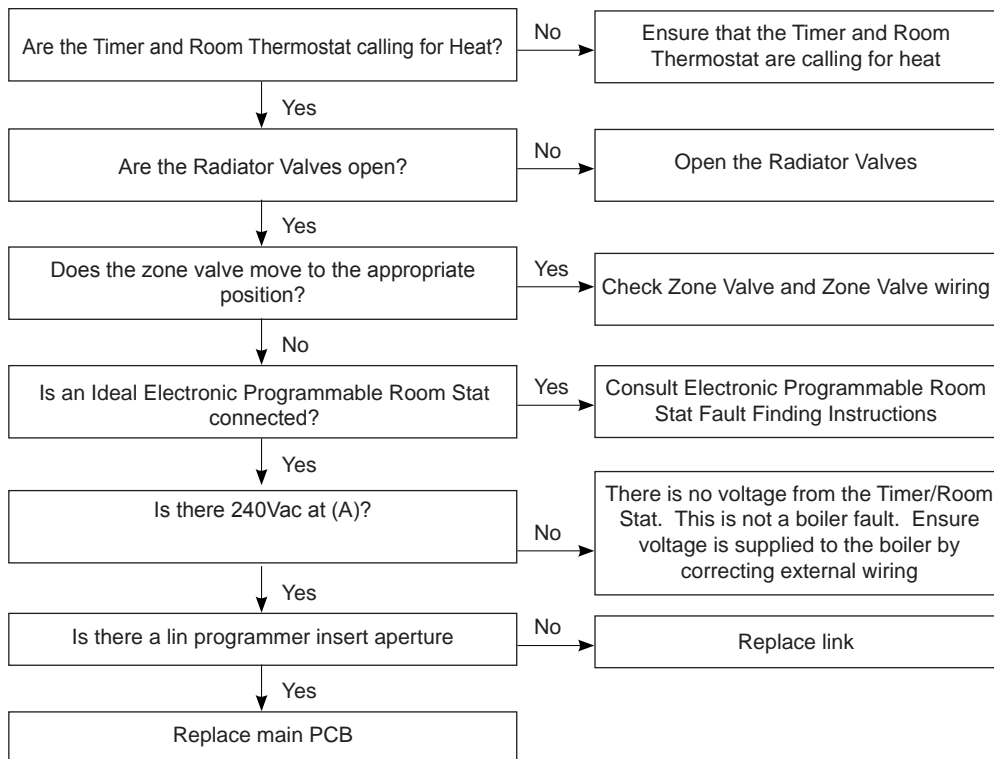


SECTION 4 - FAULT FINDING

4.13 NO CONNECTION TO PRIMARY PCB



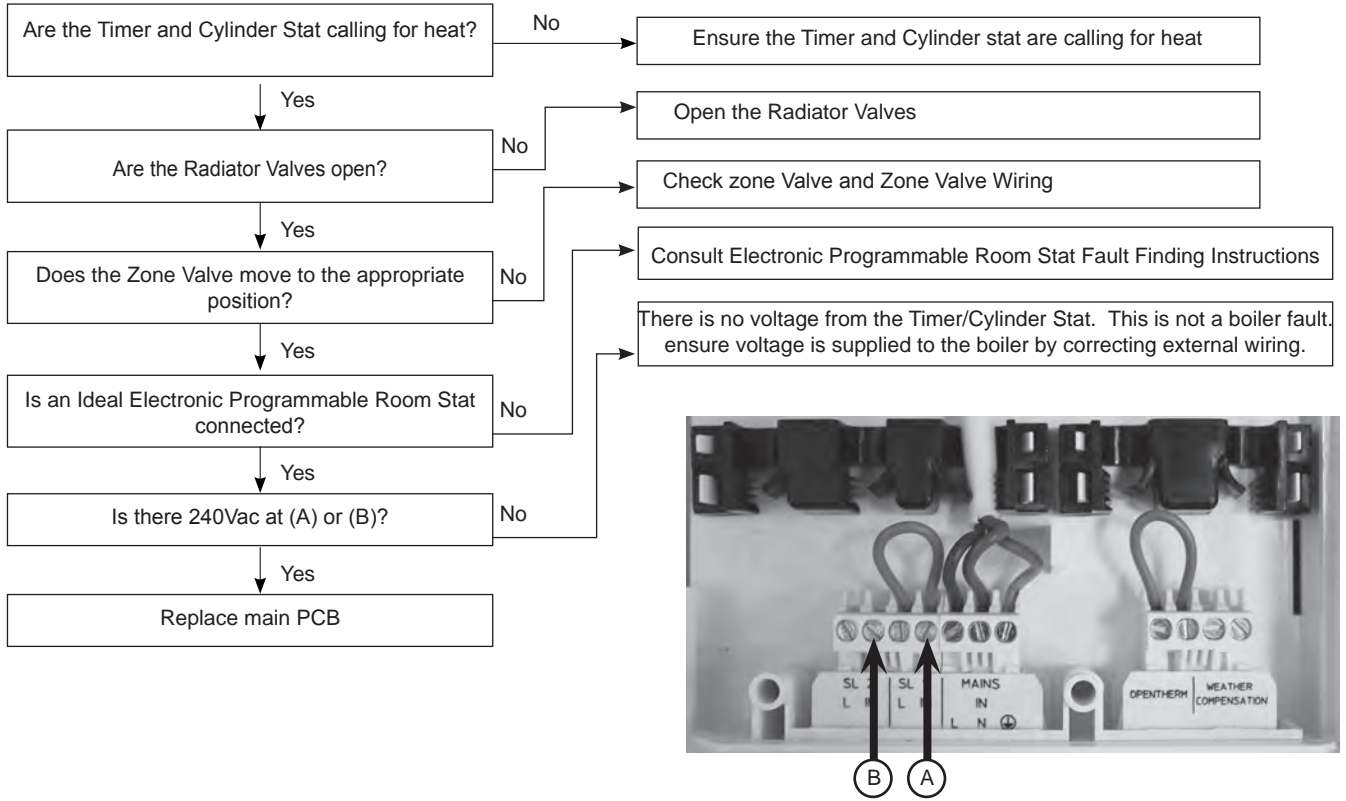
4.14 NO CH BUT CYLINDER TEMPERATURE OK



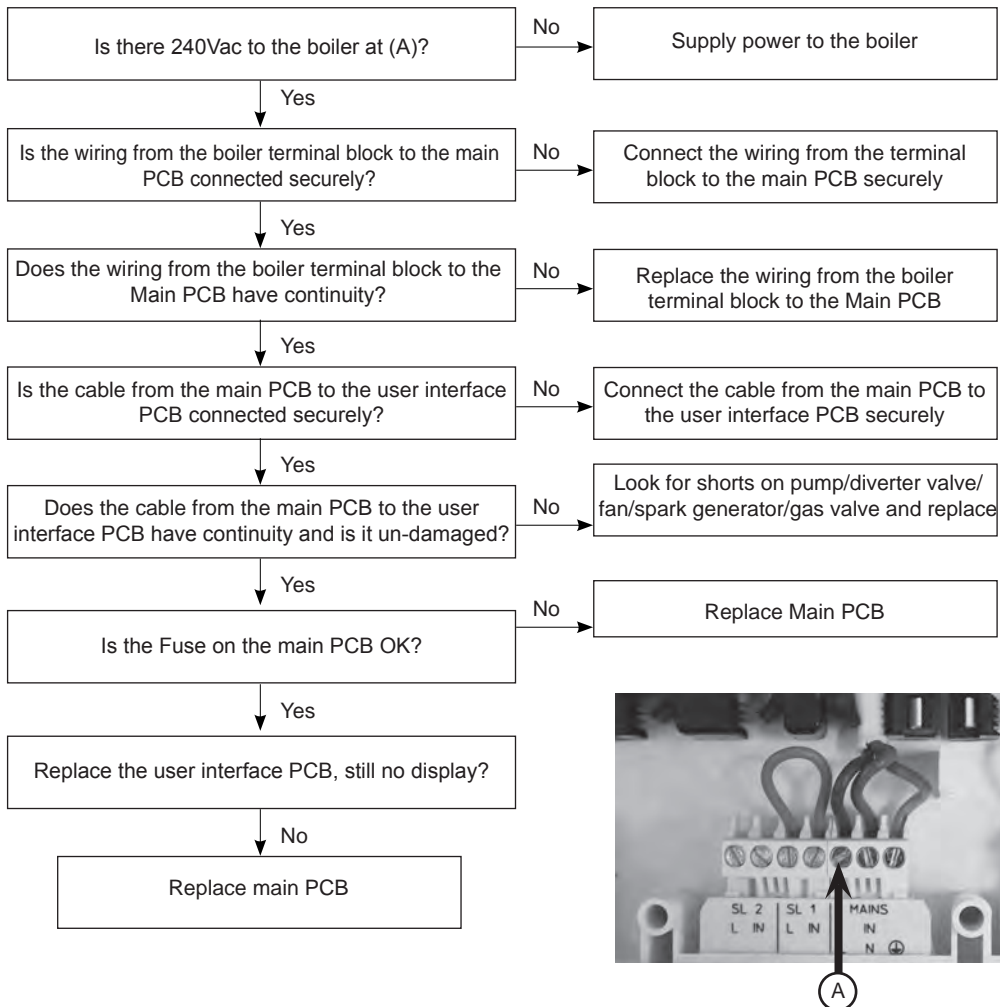
(A)

SECTION 4 - FAULT FINDING

4.15 NO HW BUT CH OK



4.16 BLANK DISPLAY



SECTION 5 - SPARE PARTS

When replacing any part on this appliance use only spare parts that you can be assured conform to the safety and performance specification that we require. Do not use reconditioned or copy parts that have not been clearly authorised by Ideal. Failure to do so could affect safety or performance of this appliance.

Comprehensive spares parts information and details of approved Ideal Parts Distributors are available on www.idealparts.com

Our Parts team are also available to help with your Ideal Spare Parts enquiries on 01482 498665.

When calling, and to ensure we can provide you with the most accurate parts information, please ensure you have the following to hand;

- Boiler Model
- Appliance GC Number
- Boiler Serial Number

IMPORTANT NOTE.

Propane Boilers - After installation of a conversion kit, and when ordering future spares be sure to quote the serial letter code AAV - which indicates a Propane boiler - and the boilers original serial letter code from the original data plate.

Code Of Practice

For the installation, commissioning and servicing of domestic heating and hot water products

Benchmark places responsibilities on both manufacturers and installers.* The purpose is to ensure that customers** are provided with the correct equipment for their needs, that it is installed, commissioned and serviced in accordance with the manufacturer's instructions by competent persons and that it meets the requirements of the appropriate Building Regulations. Installers are required to carry out work in accordance with the following:

Standards of Work

- Be competent and qualified to undertake the work required.
- Install, commission, service and use products in accordance with the manufacturer's instructions provided.
- Ensure that where there is responsibility for design work, the installation is correctly sized and fit for purpose.
- Meet the requirements of the appropriate Building Regulations. Where this involves notifiable work be a member of a Competent Persons Scheme or confirm that the customer has notified Local Authority Building Control (LABC), prior to work commencing.
- Complete all relevant sections of the Benchmark Checklist/Service Record when carrying out commissioning or servicing of a product or system.
- Ensure that the product or system is left in a safe condition and, whenever possible, in good working order.
- Highlight to the customer any remedial or improvement work identified during the course of commissioning or servicing work.
- Refer to the manufacturer's helpline where assistance is needed.
- Report product faults and concerns to the manufacturer in a timely manner.

Customer Service

- Show the customer any identity card that is relevant to the work being carried out prior to commencement or on request.
- Give a full and clear explanation/demonstration of the product or system and its operation to the customer.
- Hand over the manufacturer's instructions, including the Benchmark Checklist, to the customer on completion of an installation.
- Obtain the customer's signature, on the Benchmark Checklist, to confirm satisfactory demonstration and receipt of manufacturer's instructions.
- Advise the customer that regular product servicing is needed, in line with manufacturers' recommendations, to ensure that safety and efficiency is maintained.
- Respond promptly to calls from a customer following completion of work, providing advice and assistance by phone and, if necessary, visiting the customer.
- Rectify any installation problems at no cost to the customer during the installer's guarantee period.



*The use of the word "installer" is not limited to installation itself and covers those carrying out installation, commissioning and/or servicing of heating and hot water products, or the use of supporting products (such as water treatment or test equipment).

**Customer includes householders, landlords and tenants.

Benchmark Commissioning and Servicing Section

It is a requirement that the boiler is installed and commissioned to the manufacturers instructions and the data fields on the commissioning checklist completed in full.

To instigate the boiler guarantee the boiler needs to be registered with the manufacturer within one month of the installation.

To maintain the boiler guarantee it is essential that the boiler is serviced annually by a Gas Safe registered engineer who has been trained on the boiler installed. The service details should be recorded on the Benchmark Service Interval Record and left with the householder.



www.centralheating.co.uk

GAS BOILER SYSTEM COMMISSIONING CHECKLIST

This Commissioning Checklist is to be completed in full by the competent person who commissioned the boiler as a means of demonstrating compliance with the appropriate Building Regulations and then handed to the customer to keep for future reference.

Failure to install and commission according to the manufacturer's instructions and complete this Benchmark Commissioning Checklist will invalidate the warranty. This does not affect the customer's statutory rights.

Customer name:				Telephone number:					
Address:									
Boiler make and model:									
Boiler serial number:									
Commissioned by (PRINT NAME):				Gas Safe register number:					
Company name:				Telephone number:					
Company address:									
				Commissioning date:					
To be completed by the customer on receipt of a Building Regulations Compliance Certificate*									
Building Regulations Notification Number (if applicable):									
CONTROLS (tick the appropriate boxes)									
Time and temperature control to heating	Room thermostat and programmer/timer			Programmable room thermostat					
	Load/weather compensation			Optimum start control					
Time and temperature control to hot water	Cylinder thermostat and programmer/timer			Combination Boiler					
Heating zone valves	Fitted			Not required					
Hot water zone valves	Fitted			Not required					
Thermostatic radiator valves	Fitted			Not required					
Automatic bypass to system	Fitted			Not required					
Boiler interlock				Provided					
ALL SYSTEMS									
The system has been flushed and cleaned in accordance with BS7593 and boiler manufacturer's instructions							Yes		
What system cleaner was used?									
What inhibitor was used?							Quantity	litres	
Has a primary water system filter been installed?							Yes	No	
CENTRAL HEATING MODE measure and record:									
Gas rate	m ³ /hr		OR		ft ³ /hr				
Burner operating pressure (if applicable)	mbar		OR Gas inlet pressure		mbar				
Central heating flow temperature							°C		
Central heating return temperature							°C		
COMBINATION BOILERS ONLY									
Is the installation in a hard water area (above 200ppm)?							Yes	No	
If yes, and if required by the manufacturer, has a water scale reducer been fitted?							Yes	No	
What type of scale reducer has been fitted?									
DOMESTIC HOT WATER MODE Measure and Record:									
Gas rate	m ³ /hr		OR		ft ³ /hr				
Burner operating pressure (at maximum rate)	mbar		OR Gas inlet pressure at maximum rate		mbar				
Cold water inlet temperature							°C		
Hot water has been checked at all outlets							Yes	Temperature	°C
Water flow rate							l/min		
CONDENSING BOILERS ONLY									
The condensate drain has been installed in accordance with the manufacturer's instructions and/or BS5546/BS6798							Yes		
ALL INSTALLATIONS									
Record the following:	At max. rate:		CO	ppm	AND	CO/CO ₂	Ratio		
	At min. rate: (where possible)		CO	ppm	AND	CO/CO ₂	Ratio		
The heating and hot water system complies with the appropriate Building Regulations							Yes		
The boiler and associated products have been installed and commissioned in accordance with the manufacturer's instructions							Yes		
The operation of the boiler and system controls have been demonstrated to and understood by the customer							Yes		
The manufacturer's literature, including Benchmark Checklist and Service Record, has been explained and left with the customer							Yes		
Commissioning Engineer's Signature									
Customer's Signature									
(To confirm satisfactory demonstration and receipt of manufacturer's literature)									

* All installations in England and Wales must be notified to Local Authority Building Control (LABC) either directly or through a Competent Persons Scheme. A Building Regulations Compliance Certificate will then be issued to the customer.



SERVICE RECORD

It is recommended that your heating system is serviced regularly and that the appropriate Service Interval Record is completed.

Service Provider

Before completing the appropriate Service Record below, please ensure you have carried out the service as described in the manufacturer's instructions. Always use the manufacturer's specified spare part when replacing controls.

<table border="1" style="width: 100%; border-collapse: collapse;"> <tr> <td style="width: 80%;">SERVICE 01</td> <td style="width: 20%;">Date:</td> </tr> <tr><td colspan="2">Engineer name:</td></tr> <tr><td colspan="2">Company name:</td></tr> <tr><td colspan="2">Telephone No:</td></tr> <tr><td colspan="2">Gas safe register No:</td></tr> <tr> <td>Record:</td> <td>At max. rate: CO ppm AND CO₂ %</td> </tr> <tr> <td></td> <td>At min. rate: (Where Possible) CO ppm AND CO₂ %</td> </tr> <tr><td colspan="2">Comments:</td></tr> <tr><td colspan="2"> </td></tr> <tr><td colspan="2"> </td></tr> <tr><td colspan="2">Signature</td></tr> </table>	SERVICE 01	Date:	Engineer name:		Company name:		Telephone No:		Gas safe register No:		Record:	At max. rate: CO ppm AND CO ₂ %		At min. rate: (Where Possible) CO ppm AND CO ₂ %	Comments:						Signature		<table border="1" style="width: 100%; border-collapse: collapse;"> <tr> <td style="width: 80%;">SERVICE 02</td> <td style="width: 20%;">Date:</td> </tr> <tr><td colspan="2">Engineer name:</td></tr> <tr><td colspan="2">Company name:</td></tr> <tr><td colspan="2">Telephone No:</td></tr> <tr><td colspan="2">Gas safe register No:</td></tr> <tr> <td>Record:</td> <td>At max. rate: CO ppm AND CO₂ %</td> </tr> <tr> <td></td> <td>At min. rate: (Where Possible) CO ppm AND CO₂ %</td> </tr> <tr><td colspan="2">Comments:</td></tr> <tr><td colspan="2"> </td></tr> <tr><td colspan="2"> </td></tr> <tr><td colspan="2">Signature</td></tr> </table>	SERVICE 02	Date:	Engineer name:		Company name:		Telephone No:		Gas safe register No:		Record:	At max. rate: CO ppm AND CO ₂ %		At min. rate: (Where Possible) CO ppm AND CO ₂ %	Comments:						Signature	
SERVICE 01	Date:																																												
Engineer name:																																													
Company name:																																													
Telephone No:																																													
Gas safe register No:																																													
Record:	At max. rate: CO ppm AND CO ₂ %																																												
	At min. rate: (Where Possible) CO ppm AND CO ₂ %																																												
Comments:																																													
Signature																																													
SERVICE 02	Date:																																												
Engineer name:																																													
Company name:																																													
Telephone No:																																													
Gas safe register No:																																													
Record:	At max. rate: CO ppm AND CO ₂ %																																												
	At min. rate: (Where Possible) CO ppm AND CO ₂ %																																												
Comments:																																													
Signature																																													
<table border="1" style="width: 100%; border-collapse: collapse;"> <tr> <td style="width: 80%;">SERVICE 03</td> <td style="width: 20%;">Date:</td> </tr> <tr><td colspan="2">Engineer name:</td></tr> <tr><td colspan="2">Company name:</td></tr> <tr><td colspan="2">Telephone No:</td></tr> <tr><td colspan="2">Gas safe register No:</td></tr> <tr> <td>Record:</td> <td>At max. rate: CO ppm AND CO₂ %</td> </tr> <tr> <td></td> <td>At min. rate: (Where Possible) CO ppm AND CO₂ %</td> </tr> <tr><td colspan="2">Comments:</td></tr> <tr><td colspan="2"> </td></tr> <tr><td colspan="2"> </td></tr> <tr><td colspan="2">Signature</td></tr> </table>	SERVICE 03	Date:	Engineer name:		Company name:		Telephone No:		Gas safe register No:		Record:	At max. rate: CO ppm AND CO ₂ %		At min. rate: (Where Possible) CO ppm AND CO ₂ %	Comments:						Signature		<table border="1" style="width: 100%; border-collapse: collapse;"> <tr> <td style="width: 80%;">SERVICE 04</td> <td style="width: 20%;">Date:</td> </tr> <tr><td colspan="2">Engineer name:</td></tr> <tr><td colspan="2">Company name:</td></tr> <tr><td colspan="2">Telephone No:</td></tr> <tr><td colspan="2">Gas safe register No:</td></tr> <tr> <td>Record:</td> <td>At max. rate: CO ppm AND CO₂ %</td> </tr> <tr> <td></td> <td>At min. rate: (Where Possible) CO ppm AND CO₂ %</td> </tr> <tr><td colspan="2">Comments:</td></tr> <tr><td colspan="2"> </td></tr> <tr><td colspan="2"> </td></tr> <tr><td colspan="2">Signature</td></tr> </table>	SERVICE 04	Date:	Engineer name:		Company name:		Telephone No:		Gas safe register No:		Record:	At max. rate: CO ppm AND CO ₂ %		At min. rate: (Where Possible) CO ppm AND CO ₂ %	Comments:						Signature	
SERVICE 03	Date:																																												
Engineer name:																																													
Company name:																																													
Telephone No:																																													
Gas safe register No:																																													
Record:	At max. rate: CO ppm AND CO ₂ %																																												
	At min. rate: (Where Possible) CO ppm AND CO ₂ %																																												
Comments:																																													
Signature																																													
SERVICE 04	Date:																																												
Engineer name:																																													
Company name:																																													
Telephone No:																																													
Gas safe register No:																																													
Record:	At max. rate: CO ppm AND CO ₂ %																																												
	At min. rate: (Where Possible) CO ppm AND CO ₂ %																																												
Comments:																																													
Signature																																													
<table border="1" style="width: 100%; border-collapse: collapse;"> <tr> <td style="width: 80%;">SERVICE 05</td> <td style="width: 20%;">Date:</td> </tr> <tr><td colspan="2">Engineer name:</td></tr> <tr><td colspan="2">Company name:</td></tr> <tr><td colspan="2">Telephone No:</td></tr> <tr><td colspan="2">Gas safe register No:</td></tr> <tr> <td>Record:</td> <td>At max. rate: CO ppm AND CO₂ %</td> </tr> <tr> <td></td> <td>At min. rate: (Where Possible) CO ppm AND CO₂ %</td> </tr> <tr><td colspan="2">Comments:</td></tr> <tr><td colspan="2"> </td></tr> <tr><td colspan="2"> </td></tr> <tr><td colspan="2">Signature</td></tr> </table>	SERVICE 05	Date:	Engineer name:		Company name:		Telephone No:		Gas safe register No:		Record:	At max. rate: CO ppm AND CO ₂ %		At min. rate: (Where Possible) CO ppm AND CO ₂ %	Comments:						Signature		<table border="1" style="width: 100%; border-collapse: collapse;"> <tr> <td style="width: 80%;">SERVICE 06</td> <td style="width: 20%;">Date:</td> </tr> <tr><td colspan="2">Engineer name:</td></tr> <tr><td colspan="2">Company name:</td></tr> <tr><td colspan="2">Telephone No:</td></tr> <tr><td colspan="2">Gas safe register No:</td></tr> <tr> <td>Record:</td> <td>At max. rate: CO ppm AND CO₂ %</td> </tr> <tr> <td></td> <td>At min. rate: (Where Possible) CO ppm AND CO₂ %</td> </tr> <tr><td colspan="2">Comments:</td></tr> <tr><td colspan="2"> </td></tr> <tr><td colspan="2"> </td></tr> <tr><td colspan="2">Signature</td></tr> </table>	SERVICE 06	Date:	Engineer name:		Company name:		Telephone No:		Gas safe register No:		Record:	At max. rate: CO ppm AND CO ₂ %		At min. rate: (Where Possible) CO ppm AND CO ₂ %	Comments:						Signature	
SERVICE 05	Date:																																												
Engineer name:																																													
Company name:																																													
Telephone No:																																													
Gas safe register No:																																													
Record:	At max. rate: CO ppm AND CO ₂ %																																												
	At min. rate: (Where Possible) CO ppm AND CO ₂ %																																												
Comments:																																													
Signature																																													
SERVICE 06	Date:																																												
Engineer name:																																													
Company name:																																													
Telephone No:																																													
Gas safe register No:																																													
Record:	At max. rate: CO ppm AND CO ₂ %																																												
	At min. rate: (Where Possible) CO ppm AND CO ₂ %																																												
Comments:																																													
Signature																																													
<table border="1" style="width: 100%; border-collapse: collapse;"> <tr> <td style="width: 80%;">SERVICE 07</td> <td style="width: 20%;">Date:</td> </tr> <tr><td colspan="2">Engineer name:</td></tr> <tr><td colspan="2">Company name:</td></tr> <tr><td colspan="2">Telephone No:</td></tr> <tr><td colspan="2">Gas safe register No:</td></tr> <tr> <td>Record:</td> <td>At max. rate: CO ppm AND CO₂ %</td> </tr> <tr> <td></td> <td>At min. rate: (Where Possible) CO ppm AND CO₂ %</td> </tr> <tr><td colspan="2">Comments:</td></tr> <tr><td colspan="2"> </td></tr> <tr><td colspan="2"> </td></tr> <tr><td colspan="2">Signature</td></tr> </table>	SERVICE 07	Date:	Engineer name:		Company name:		Telephone No:		Gas safe register No:		Record:	At max. rate: CO ppm AND CO ₂ %		At min. rate: (Where Possible) CO ppm AND CO ₂ %	Comments:						Signature		<table border="1" style="width: 100%; border-collapse: collapse;"> <tr> <td style="width: 80%;">SERVICE 08</td> <td style="width: 20%;">Date:</td> </tr> <tr><td colspan="2">Engineer name:</td></tr> <tr><td colspan="2">Company name:</td></tr> <tr><td colspan="2">Telephone No:</td></tr> <tr><td colspan="2">Gas safe register No:</td></tr> <tr> <td>Record:</td> <td>At max. rate: CO ppm AND CO₂ %</td> </tr> <tr> <td></td> <td>At min. rate: (Where Possible) CO ppm AND CO₂ %</td> </tr> <tr><td colspan="2">Comments:</td></tr> <tr><td colspan="2"> </td></tr> <tr><td colspan="2"> </td></tr> <tr><td colspan="2">Signature</td></tr> </table>	SERVICE 08	Date:	Engineer name:		Company name:		Telephone No:		Gas safe register No:		Record:	At max. rate: CO ppm AND CO ₂ %		At min. rate: (Where Possible) CO ppm AND CO ₂ %	Comments:						Signature	
SERVICE 07	Date:																																												
Engineer name:																																													
Company name:																																													
Telephone No:																																													
Gas safe register No:																																													
Record:	At max. rate: CO ppm AND CO ₂ %																																												
	At min. rate: (Where Possible) CO ppm AND CO ₂ %																																												
Comments:																																													
Signature																																													
SERVICE 08	Date:																																												
Engineer name:																																													
Company name:																																													
Telephone No:																																													
Gas safe register No:																																													
Record:	At max. rate: CO ppm AND CO ₂ %																																												
	At min. rate: (Where Possible) CO ppm AND CO ₂ %																																												
Comments:																																													
Signature																																													
<table border="1" style="width: 100%; border-collapse: collapse;"> <tr> <td style="width: 80%;">SERVICE 09</td> <td style="width: 20%;">Date:</td> </tr> <tr><td colspan="2">Engineer name:</td></tr> <tr><td colspan="2">Company name:</td></tr> <tr><td colspan="2">Telephone No:</td></tr> <tr><td colspan="2">Gas safe register No:</td></tr> <tr> <td>Record:</td> <td>At max. rate: CO ppm AND CO₂ %</td> </tr> <tr> <td></td> <td>At min. rate: (Where Possible) CO ppm AND CO₂ %</td> </tr> <tr><td colspan="2">Comments:</td></tr> <tr><td colspan="2"> </td></tr> <tr><td colspan="2"> </td></tr> <tr><td colspan="2">Signature</td></tr> </table>	SERVICE 09	Date:	Engineer name:		Company name:		Telephone No:		Gas safe register No:		Record:	At max. rate: CO ppm AND CO ₂ %		At min. rate: (Where Possible) CO ppm AND CO ₂ %	Comments:						Signature		<table border="1" style="width: 100%; border-collapse: collapse;"> <tr> <td style="width: 80%;">SERVICE 10</td> <td style="width: 20%;">Date:</td> </tr> <tr><td colspan="2">Engineer name:</td></tr> <tr><td colspan="2">Company name:</td></tr> <tr><td colspan="2">Telephone No:</td></tr> <tr><td colspan="2">Gas safe register No:</td></tr> <tr> <td>Record:</td> <td>At max. rate: CO ppm AND CO₂ %</td> </tr> <tr> <td></td> <td>At min. rate: (Where Possible) CO ppm AND CO₂ %</td> </tr> <tr><td colspan="2">Comments:</td></tr> <tr><td colspan="2"> </td></tr> <tr><td colspan="2"> </td></tr> <tr><td colspan="2">Signature</td></tr> </table>	SERVICE 10	Date:	Engineer name:		Company name:		Telephone No:		Gas safe register No:		Record:	At max. rate: CO ppm AND CO ₂ %		At min. rate: (Where Possible) CO ppm AND CO ₂ %	Comments:						Signature	
SERVICE 09	Date:																																												
Engineer name:																																													
Company name:																																													
Telephone No:																																													
Gas safe register No:																																													
Record:	At max. rate: CO ppm AND CO ₂ %																																												
	At min. rate: (Where Possible) CO ppm AND CO ₂ %																																												
Comments:																																													
Signature																																													
SERVICE 10	Date:																																												
Engineer name:																																													
Company name:																																													
Telephone No:																																													
Gas safe register No:																																													
Record:	At max. rate: CO ppm AND CO ₂ %																																												
	At min. rate: (Where Possible) CO ppm AND CO ₂ %																																												
Comments:																																													
Signature																																													

* All installations in England and Wales must be notified to Local Authority Building Control (LABC) either directly or through a Competent Persons Scheme. A Building Regulations Compliance Certificate will then be issued to the customer.



FLOWCHART FOR CO LEVEL AND COMBUSTION RATIO CHECK ON COMMISSIONING A CONDENSING BOILER

Important Preliminary Information on Checks

The air gas ratio valve is factory-set and must not be adjusted DURING COMMISSIONING.

If the boiler requires conversion to operate with a different gas family (e.g. conversion from natural gas to LPG) separate guidance is provided with the conversion kit supplied and this must be followed.

PRIOR TO CO LEVEL AND COMBUSTION RATIO CHECK

The installation instructions must have been followed, gas type verified and gas supply pressure / gas rate checked as required prior to commissioning.

As part of the installation process, ESPECIALLY WHERE A FLUE HAS BEEN FITTED BY PERSONS OTHER THAN THE BOILER INSTALLER, visually check the integrity of the whole flue system to confirm that all components are correctly assembled, fixed and supported. Check that maximum flue lengths have not been exceeded and all guidance has been followed (e.g. Gas Safe Register Technical Bulletin (TB) 008 where chimney/flues are in voids).

The ECGA should be of the correct type, as specified by BS 7967.

Prior to its use, the ECGA should have been maintained and calibrated as specified by the manufacturer. The installer must have the relevant competence for use of the analyser.

Check and zero the analyser IN FRESH AIR in accordance with the analyser manufacturer's instructions.

KEY:

CO = carbon monoxide

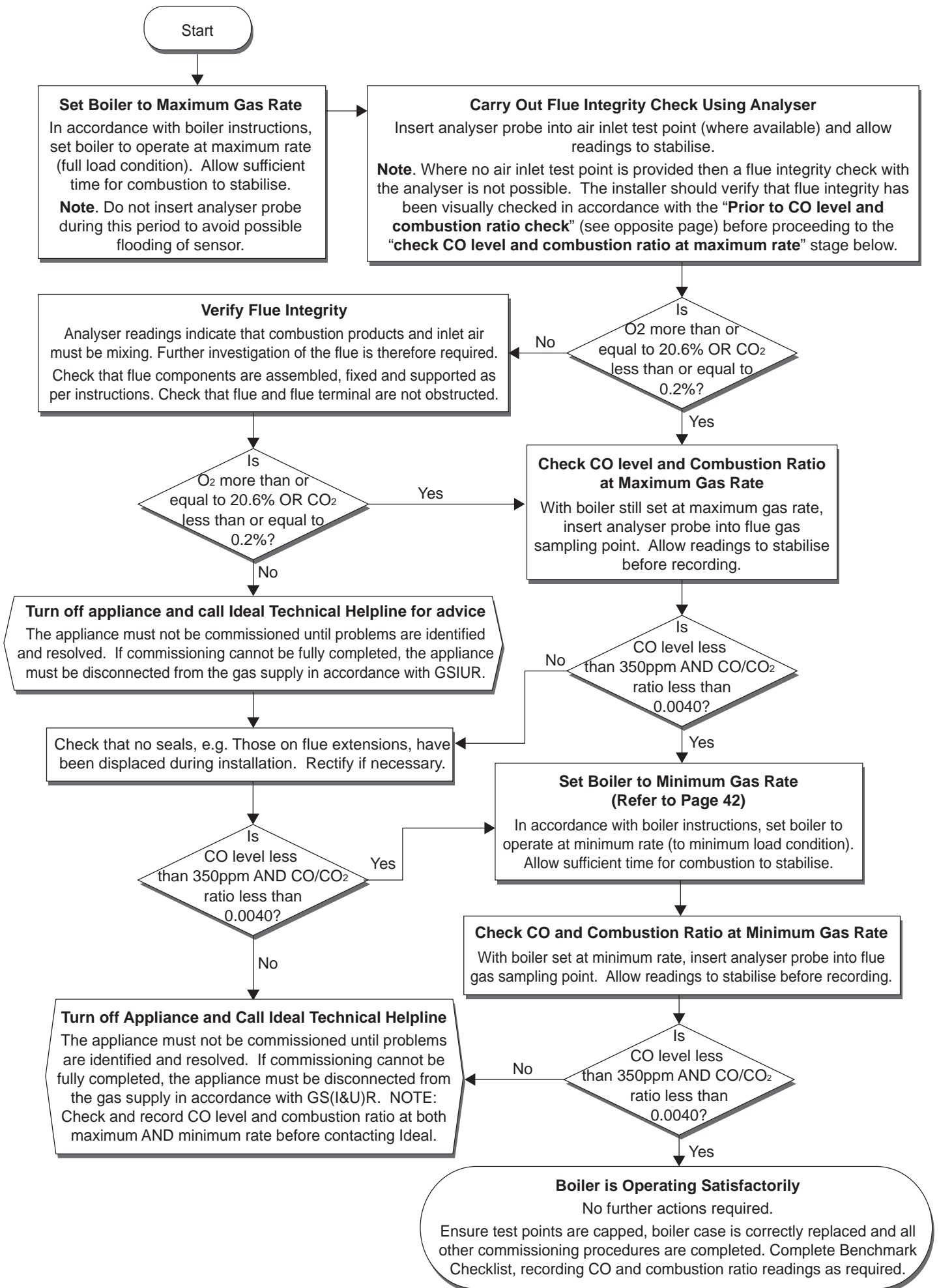
CO₂ = carbon dioxide

O₂ = oxygen

Combustion Ratio = The CO reading measured in ppm divided by the CO₂ reading first converted to ppm

ppm = parts per million

GS(I&U)R = Gas Safety (Installation and Use) Regulations



NOTES

NOTES

NOTES

NOTES

NOTES

NOTES



*The code of practice for the installation,
commissioning & servicing of central heating systems*



FM 59915

Manufactured under an ISO 9001
registered quality management system

Technical Training

The Ideal Technical Training Centre offers a series of first class training courses for domestic, commercial and industrial heating installers, engineers and system specifiers.

For details of courses please ring:..... 01482 498432

Ideal Boilers Ltd. pursues a policy of continuing improvement in the design and performance of its products.
The right is therefore reserved to vary specification without notice.

Ideal Boilers Ltd., PO Box 103, National Avenue, Kingston Upon Hull, HU5 4JN

Tel 01482 492251 Fax 01482 448858

Registration No. London 322 137

Ideal Technical Helpline: 01482 498663
Ideal Consumer Helpline: 01482 498660
www.idealboilers.com