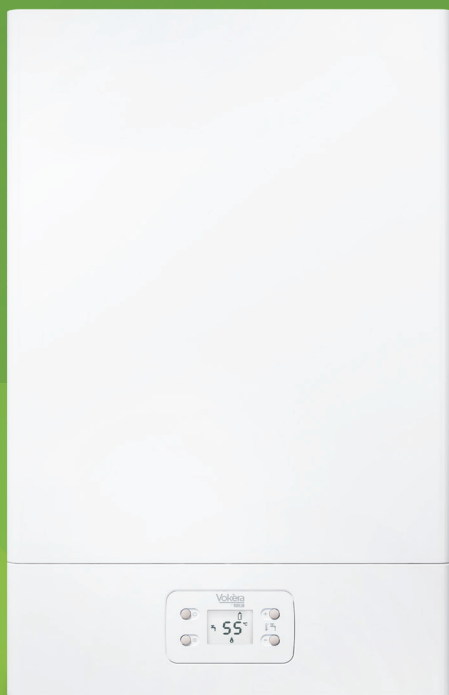


## Easi-Flo LE

Instantaneous  
multipoint  
water heater



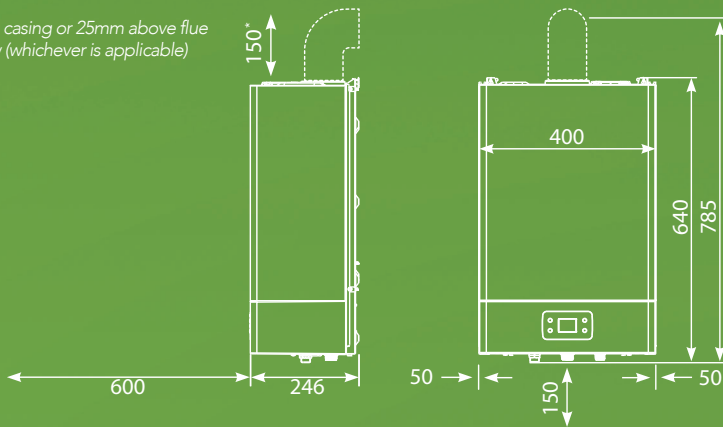
- ErP CLASS A ■
- 2 YEAR WARRANTY ■
- SIMPLE INSTALLATION ■
- FLEXIBLE FLUEING ■
- ELECTRONIC IGNITION ■
- DIGITAL DISPLAY ■
- NATURAL GAS & LPG VERSIONS ■

## Easi-Flo LE

### Instantaneous multipoint water heater

#### Dimensions and Clearances (mm)

\*From casing or 25mm above flue elbow (whichever is applicable)



- Fully compliant with the Energy-related Products Directive.
- Suitable for domestic and small light commercial applications.
- 2 year warranty.<sup>(1)</sup>
- Provides instant hot water to multiple outlets, such as to a kitchen and bathroom.
- Ideal for replacement installations for properties that require hot water supply only.
- Easi-Flo LE has a 30kW heat output and high flow rate of 13.2 l/min.
- Simple installation and commissioning. All connections are easily accessible and the appliance is supplied with a built-in fly lead.
- Digital display and user interface for ease of use.
- Keypad lock function (locks the keypad to avoid tampering).
- Temperature lock function (limits the outlet temperature).
- Centigrade or Fahrenheit option (can display temperature in either C or F).
- Solar integration (can accept pre-heated water).
- Waiting time function (delays HW request - 0.5sec to 10sec).
- Fault code display function.
- Electronic ignition eliminates the need for a constantly running fan or energy wasteful pilot light.
- Technical parameters are passcode protected.
- Continuous gas modulation and electronic temperature sensing gives accurate temperature control.
- Easi-Flo LE can be flued horizontally or vertically using Vokèra's concentric Uni flue or twin flue systems.
- Includes stand-off brackets (required for rear outlet flue exit).
- Simple to service. No diaphragm or water section. This reduces maintenance requirements.
- Low NO<sub>x</sub> emissions.

<sup>(1)</sup>Subject to registration and annual service.



ErP Compliant



2 Year Warranty<sup>(1)</sup>



Instant  
Hot Water



High Flow Rate

GET IN TOUCH

Vokèra Limited, Borderlake House, Unit 7 Riverside Industrial Estate, London Colney, AL2 1HG

**E:** [enquiries@vokera.co.uk](mailto:enquiries@vokera.co.uk)

**W:** [www.vokera.co.uk](http://www.vokera.co.uk)

**T:** 0844 391 0999

**F:** 0844 391 0998

SPECIFICATIONS	EASI-FLO LE
PRODUCT ORDER CODE (NATURAL GAS)	20143494
PRODUCT ORDER CODE (LPG)	20143495
DOMESTIC HOT WATER	
MAXIMUM HEAT INPUT (kW)	30.0
FLOW RATE - 35°C RISE (L/MIN)	13.2
DIMENSIONS	
HEIGHT (MM)	640
WIDTH (MM)	400
DEPTH (MM)	246
WEIGHT	
DRY WEIGHT (KG)	21
CONNECTIONS	
GAS	15MM
DHW INLET & OUTLET	15MM
ELECTRICAL	
VOLTAGE (V/Hz)	230/50
EFFICIENCY	
ERP WATER HEATING EFFICIENCY (XL PROFILE) (CLASS/%)	A/82.0

FLUE LENGTHS	EASI-FLO LE
FLUE DETAILS (CONCENTRIC)	
MAX HORIZONTAL FLUE LENGTH (60/100MM)	2.6M
MAX VERTICAL FLUE LENGTH (60/100MM)	3.6M
FLUE DETAILS (TWIN PIPES)	
MAX HORIZONTAL FLUE LENGTH (80MM/80MM)	6M/6M + TERMINAL
MAX VERTICAL FLUE LENGTH (80MM/80MM)	6M/6M + TERMINAL

#### WE ARE SOCIAL

