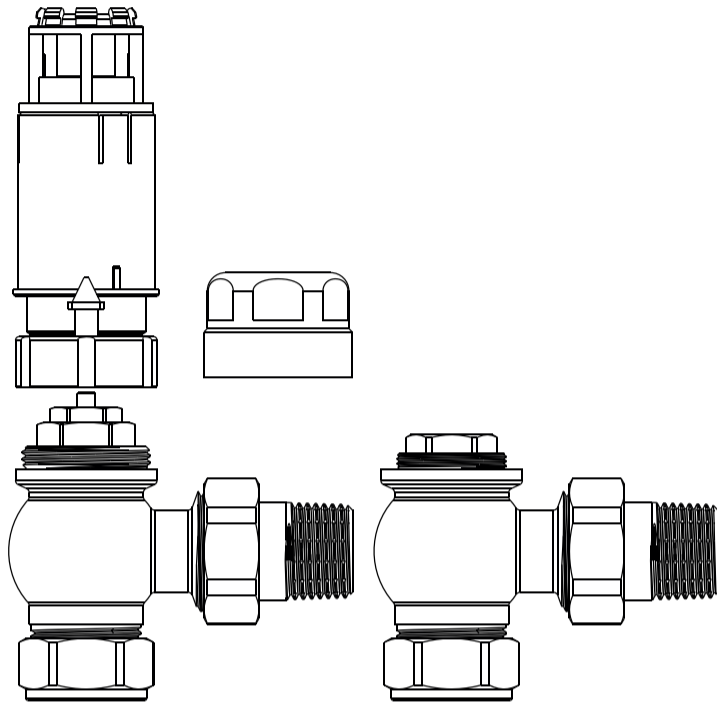


Bentley Choice Thermostatic Radiator Valve.

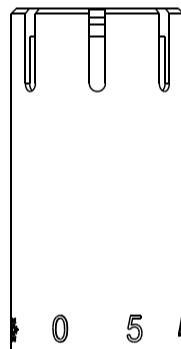


Technical Specification

- Maximum working pressure 10 bar
- Maximum pressure differential 1 bar
- Maximum water temperature 100°C
- Maximum ambient temperature 50°C
- Temperature adjustment range 7 to 28°C
- Frost setting 7°C

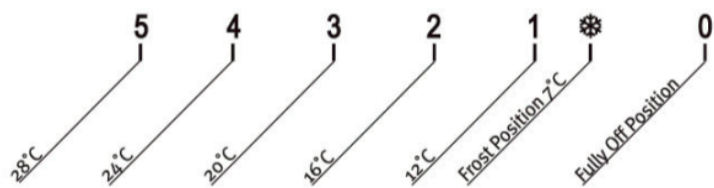
Please note:

It is very important that the shroud is attached to the thermostatic head before the head is mounted to the valve body.



Temperature Adjustment

Rotate the thermostatic head clockwise and anti-clockwise between * and 5 to select the required room temperature.

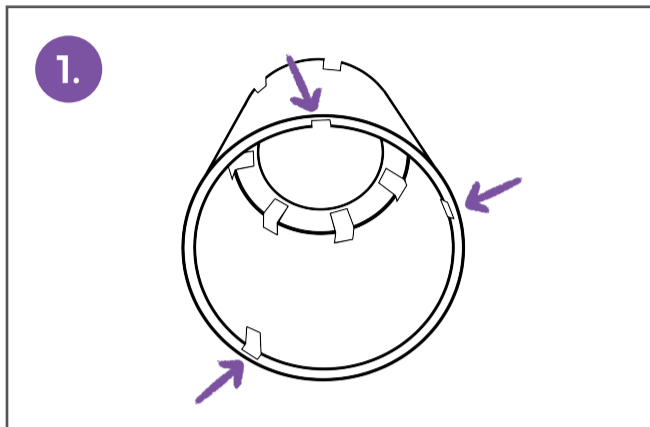


Installation Requirements

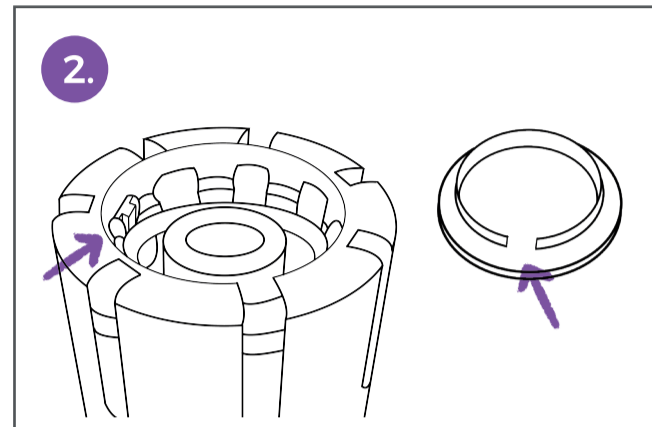
When installing a thermostatic radiator valve the following aspects must be considered to ensure that the valve performs to its optimum level.

1. The valve should be in a position where it is in contact with free air circulation within the area and is not subject to draughts, as this will affect the valve's performance.
2. The valve must not be installed in a position where the head is likely to be damaged or where the valve is subject to excessive heat, either at the time of installation or in operation conditions.
3. Ensure that the system is clean and free from debris and the installation is in accordance with good plumbing practice.
4. An automatic differential bypass valve **MUST** be fitted as part of a TRV installation.
5. We the manufacturer strongly recommend that the TRV be fitted on the feed side of the radiator. This will help avoid any knocking noise due to differential pressure on the in and the out of the TRV and L/s Valve.

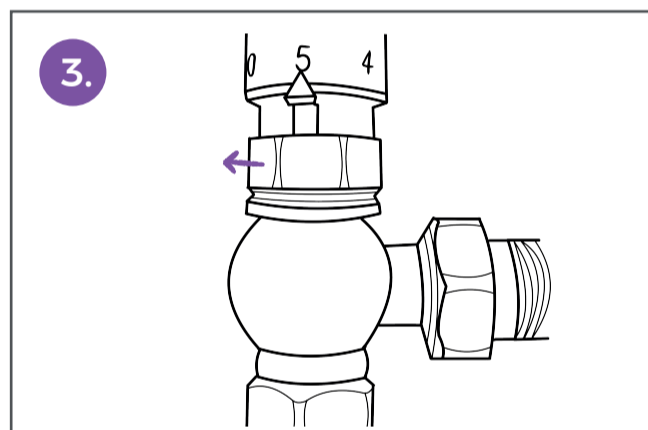
How to attach the valve head.



1. Align the 3 recesses at the bottom end of the shroud with the 3 bulges at the bottom end of the thermostatic head. Push the shroud down onto the head until you hear a click.

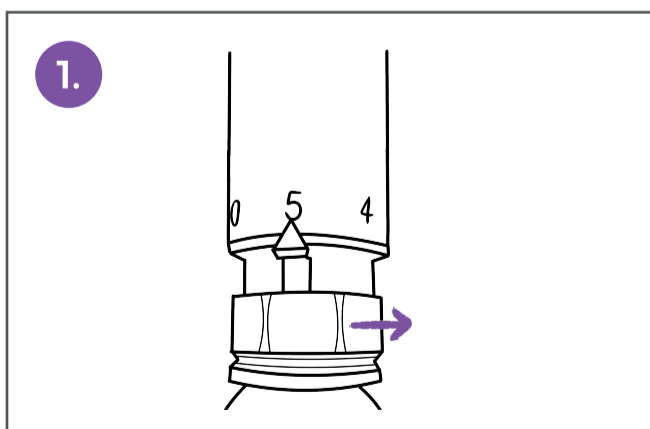


2. Place the small cap back onto the top end of the thermostatic head. Ensure the small notch is aimed at the small bulge and press until you hear a click.

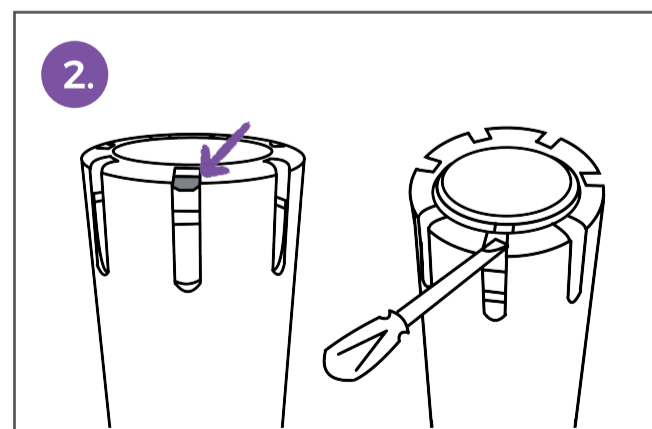


3. Set thermostat to position 5 and align square over the body. Screw the retaining nut in a clockwise direction until tight. Take care not to overtighten.

How to remove the valve head.



1. Set thermostat to position 5, unscrew anti-clockwise and remove the thermostatic valve head from the valve body.



2. Find the small slot on the top of the thermostatic head. Using the supplied tool, place it into the slot and lift the cap off. You should now be able to pull the shroud off of the thermostatic head.